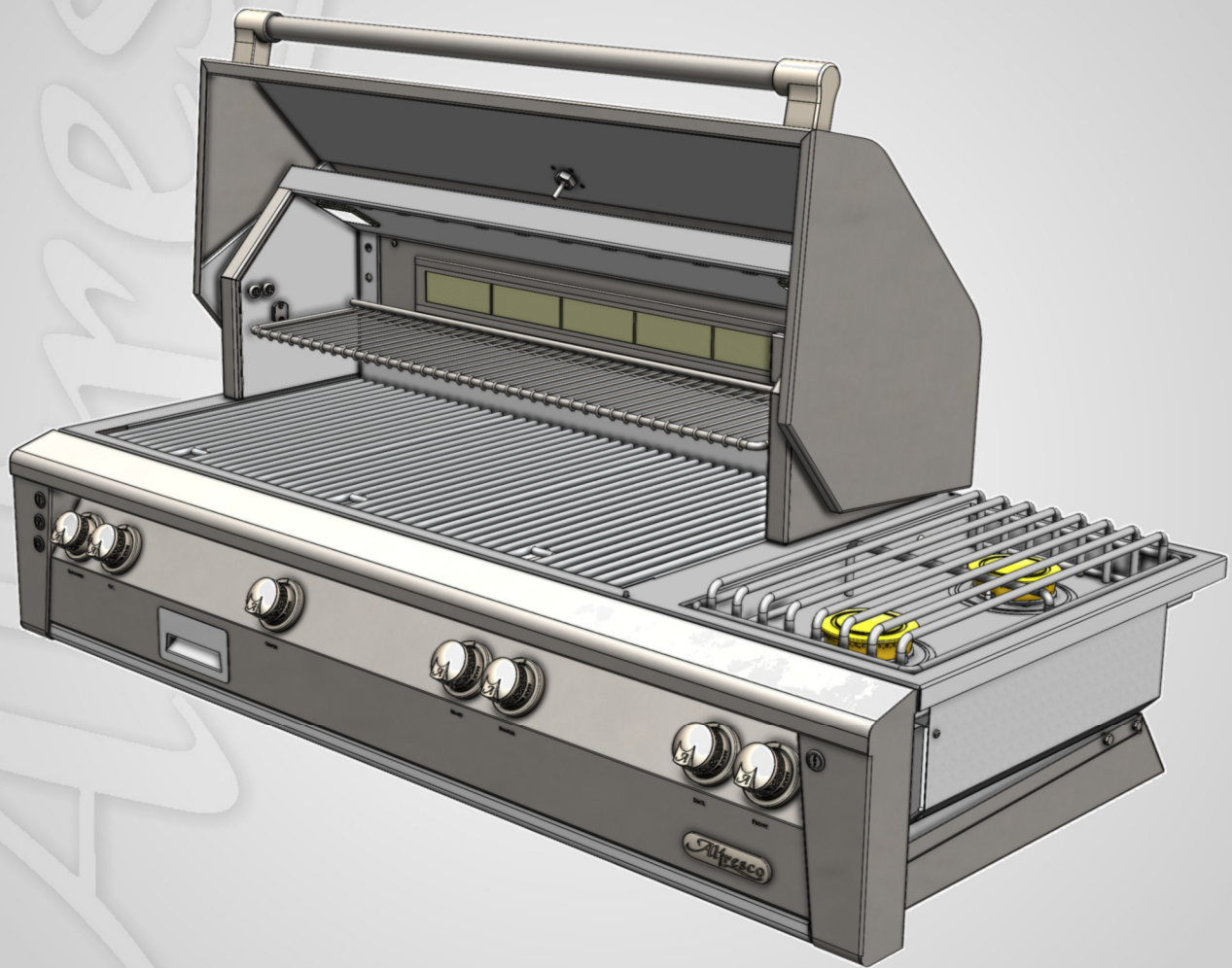


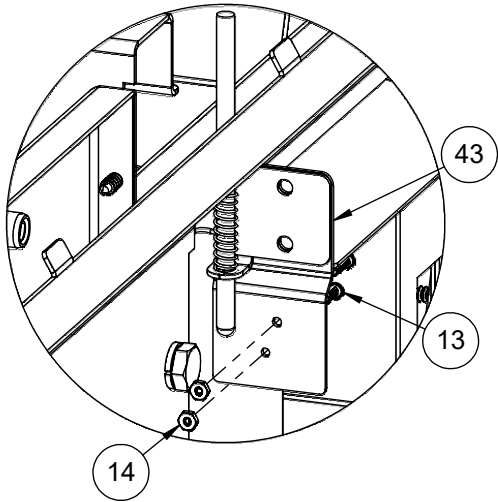
TM

Alfresco™

Open Air Culinary Systems

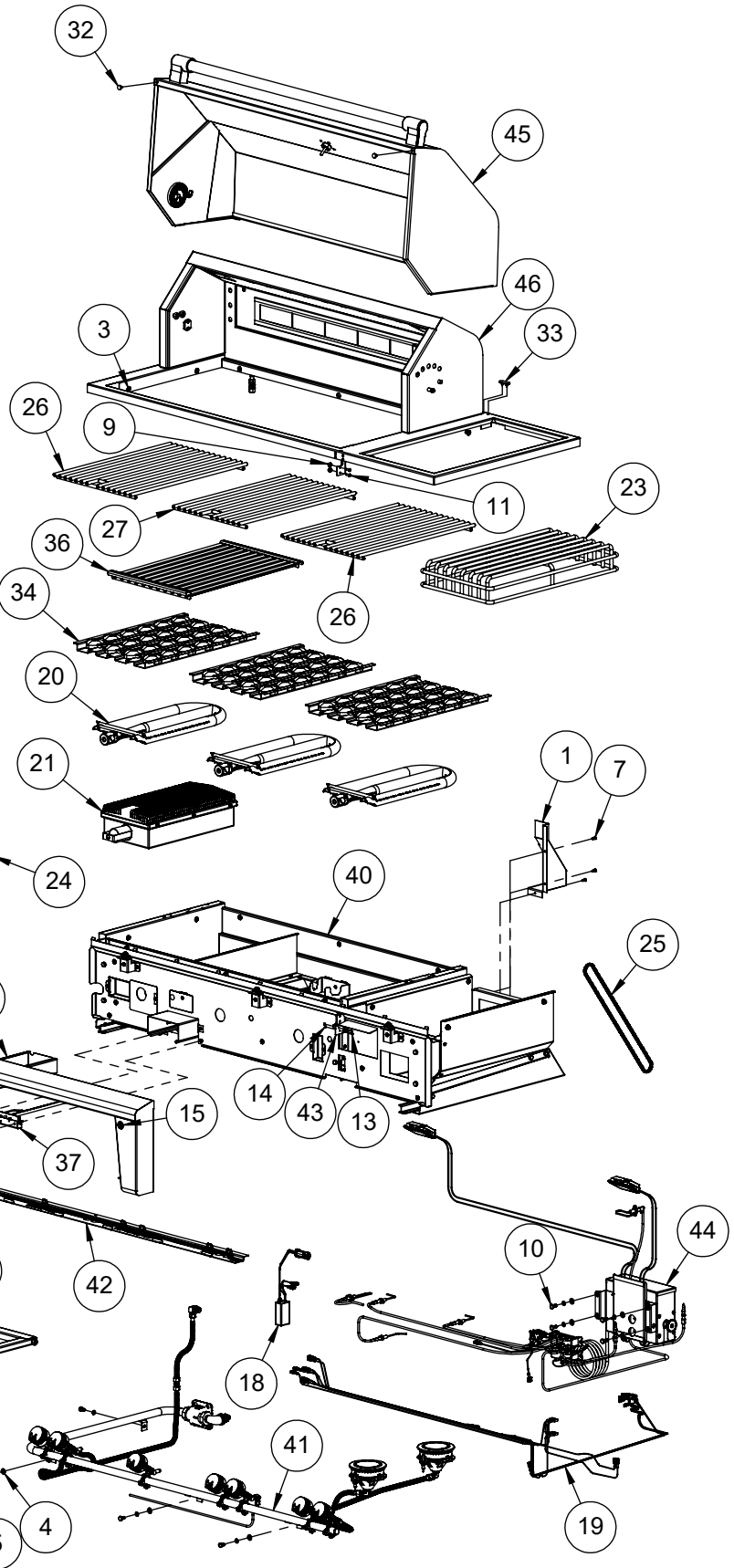


ALXE-56 PARTS MANUAL
SN: 25-134000 FORWARD



DETAIL OF HOOD SWITCH MECHANISM

FASTENERS (13) & (14) ARE FOR
ATTACHING THE SWITCH 210-0626
SEE ELECTRICAL COMPONENTS



NOTE:

SEARZONE™ BURNER (21) AND GRILL USED ON ALXE-56SZ

OTHERWISE, ONLY BURNER (20), GRILLS (26), (27) AND BRIQUETTE (34) USED ON ALXE-56

| | | | |
|--|--|---|--------------------------------------|
| <p>SUPERIOR EQUIPMENT SOLUTIONS 7039 EAST SLAUSON AVENUE COMMERCE, CA. 90040</p> | <p>THE INFORMATION CONTAINED IN THIS DRAWING IS THE SOLE PROPERTY OF SUPERIOR EQUIPMENT SOLUTIONS INC. ANY REPRODUCTION IN PART OR AS A WHOLE WITHOUT WRITTEN PERMISSION FROM SUPERIOR EQUIPMENT SOLUTIONS, INC. IS PROHIBITED.</p> <p>DRAWN BY: N SILCOCK CREATED: 3/23/2016 9:11:29 AM</p> | <p>PROJECT TITLE:</p> <p>ALXE-56 AND 56SZ</p> | <p>DRAWING NO.: 500-0163M</p> |
| | | <p>DRAWING TITLE:</p> <p>BUILT-IN BARBECUE</p> | <p>SHEET 1 OF 2</p> |

| ITEM | PART NUMBER | DESCRIPTION | QTY |
|------|-------------|---|-----|
| 1 | 100-2012 | SIDE BURNER - CHAIN COVER | 1 |
| 2 | 130-3110 | FRONT PANEL | 1 |
| 3 | 200-0057 | SCREW 1/4-20 X 1/2 - TRUSS HEAD - PHILLIPS | 14 |
| 4 | 200-0074 | FLAT WASHER 1/4 TYPE A NARROW | 7 |
| 5 | 200-0087 | WASHER - 1/4" SPRING LOCK- REGULAR - SS | 8 |
| 6 | 200-0089 | BOLT - HEX HEAD 1/4-20 x 1/2" L | 4 |
| 7 | 200-0111 | SCREW 8-18 X 1/2 - SELF TAP - 410 SS | 5 |
| 8 | 200-0125 | NUT THREAD CUTTER FOR 1/4" Ø STUD -SPEED NUT | 2 |
| 9 | 200-0206 | 8-32 KEP NUT 18-8 STAINLESS | 2 |
| 10 | 200-0219 | HEX HD MACHINE SCREW 1/4-20 UNC X 5/8 LONG SS | 4 |
| 11 | 200-0267 | 10-32 X 1/2 - PAN HEAD - PHILLIPS SCREW | 9 |
| 12 | 200-0348 | Screw 6-32 x 3/8 Flat Head (82°) phillips - Thread Cutter - #2 Drive - SS 410 | 14 |
| 13 | 200-0362 | 18-8 SS PAN HEAD SCREW 2-56 X 3/8 | 2 |
| 14 | 200-0363 | 18-8 SS HEX NUT 2-56 | 2 |
| 15 | 210-0583 | SWITCH - IGNITION - MOMENTARY [ON]/OFF | 2 |
| 16 | 210-0584 | SWITCH - LIGHT - LATCHING [ON/OFF] | 1 |
| 17 | 210-0585 | SWITCH - ROTISSERIE - LATCHING [ON/OFF] | 1 |
| 18 | 210-0623 | TRANSFORMER ASSY FOR ALXE | 1 |
| 19 | 210-0630 | WIRING HARNESS | 1 |
| 20 | 290-0038 | BURNER - GRILL - "U" SHAPE | 3 |
| 21 | 290-0052 | ALFRESCO SEAR ZONE™ BURNER ASSEMBLY | 1 |
| 22 | 290-0059 | ROTISSERIE DRIP PAN | 1 |
| 23 | 290-0069 | GRATE - DUAL SIDE BURNER | 1 |
| 24 | 290-0096 | FORK ASSEMBLY | 2 |
| 25 | 290-0116 | CHAIN - ANSI # 25 - 1/4" PITCH - .13" Ø X 1/8" ROLLER | 1 |
| 26 | 290-0124 | GRILL 30" BBQ - 12 3/4" WIDE - SS | 2 |
| 27 | 290-0157 | GRILL 30" BBQ - 11 3/4" WIDE - SS | 1 |
| 28 | 290-0158 | SPEAR - ROTISSERIE - 42" - 2006 BBQ | 1 |
| 29 | 290-0304 | WARMING RACK - SS | 1 |
| 30 | 290-0377 | ALFRESCO RANGE LOGO | 1 |
| 31 | 290-0388 | ALFRESCO RANGE KNOB - BEZEL RING | 7 |
| 32 | 290-0465 | Bumper 600°F 1/2" dia x 5/32" head | 2 |
| 33 | 290-0468 | Bumper 600°F (obround), black | 2 |
| 34 | 510-0522 | BRIQUETTE TRAY ASSEMBLY | 3 |
| 35 | 510-0912 | SMOKER BOX | 1 |
| 36 | 510-0913 | SEARZONE™ GRILL ASSEMBLY | 1 |
| 37 | 510-0918 | SMOKER BURNER ASSEMBLY | 1 |
| 38 | 510-0974 | FRONT PANEL PERIMETER | 1 |
| 39 | 510-0985 | 56" DRIP TRAY ASSEMBLY | 1 |
| 40 | 510-0986 | FIREBOX MAIN ASSEMBLY | 1 |
| 41 | 510-0996 | GAS MANIFOLD ASSEMBLY | 1 |
| 42 | 510-1001 | LED LIGHT FIXTURE | 1 |
| 43 | 510-1026 | HOOD SWITCH MECHANISM | 1 |
| 44 | 510-1053 | ELECTRICAL COMPONENTS | 1 |
| 45 | 510-1162 | FRONT HOOD | 1 |
| 46 | 510-1201 | REAR HOOD & RIM | 1 |

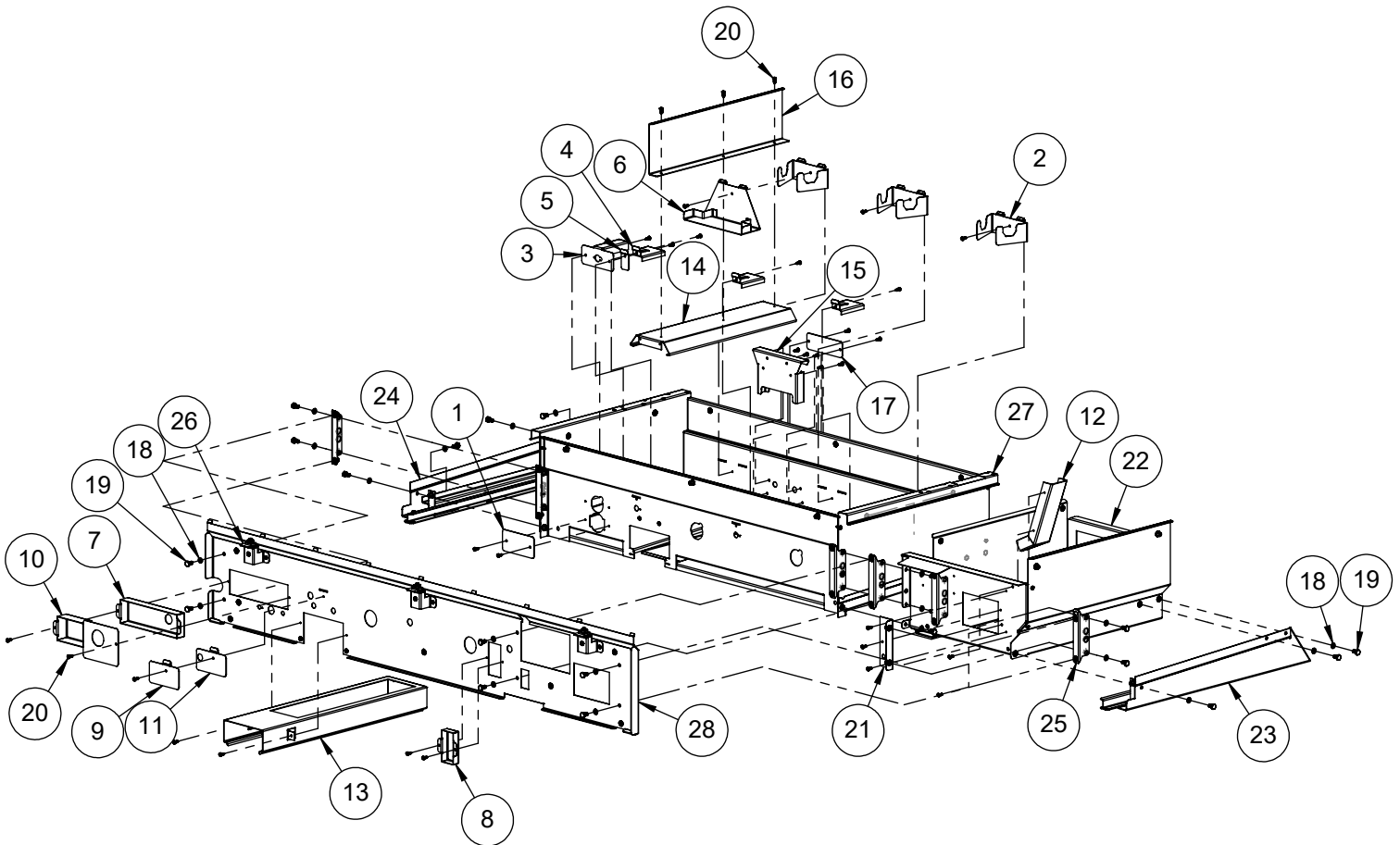
NOTE:
 UNIQUE PARTS USED ON ALXE-56 MODEL

- 1
- 4
- 10
- 11

UNIQUE PARTS USED ON ALXE-56SZ MODEL

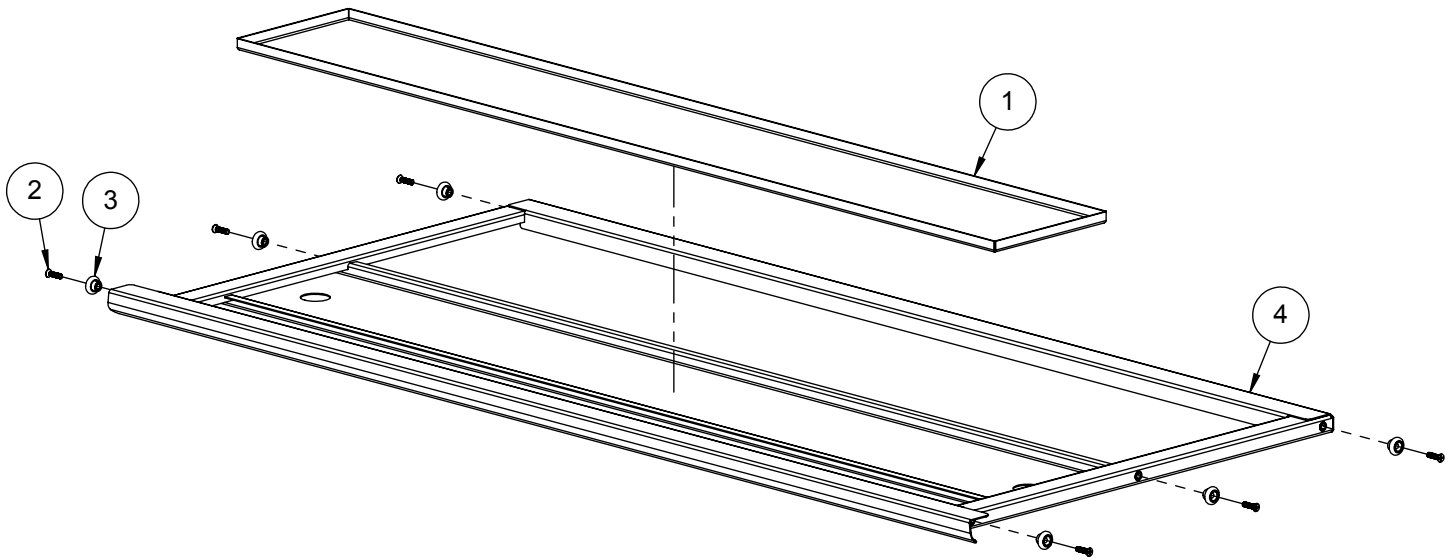
- 3
- 5
- 6
- 7
- 9
- 16

ITEM **(2)** IS USED FOR "U" BURNERS ONLY
 THEREFORE, ALXE-56SZ ONLY HAS TWO.

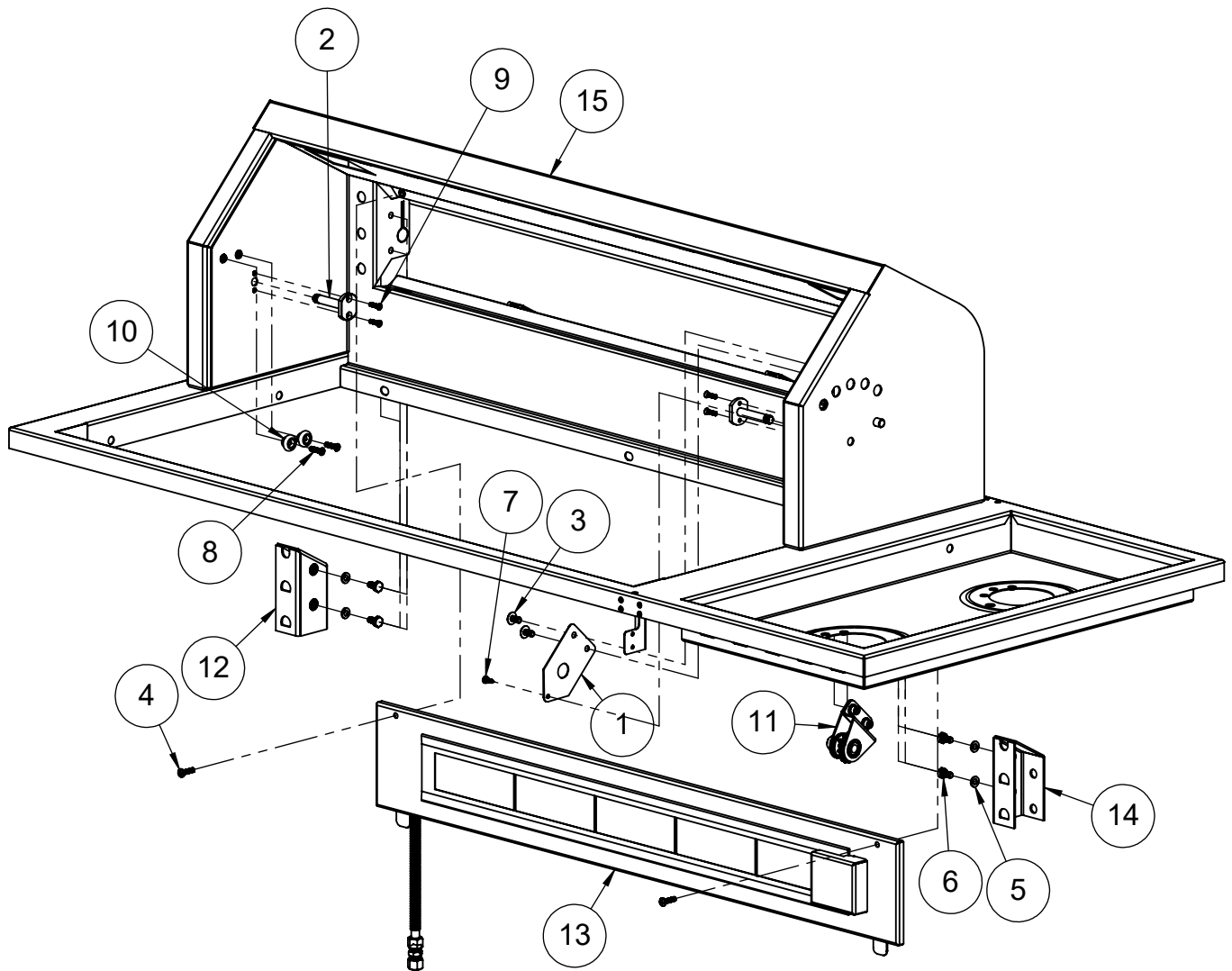


| ITEM | PART NUMBER | DESCRIPTION | QTY |
|------|-------------|---|-----|
| 1 | 100-1065 | SEARZONE™ OPENING FIREBOX COVER | 1 |
| 2 | 100-1846 | U-BURNER BRACKET | 3 |
| 3 | 100-1847 | SEAR-ZONE IGNITER BRACKET / SHIELD | 1 |
| 4 | 100-1848 | IGNITER SHIELD | 3 |
| 5 | 100-1849 | IGNITER HOLE COVER | 1 |
| 6 | 100-1884 | SEAR-ZONE™ BURNER BRACKET | 1 |
| 7 | 100-1887 | DUAL VALVE FIREWALL COVE | 1 |
| 8 | 100-1888 | SINGLE VALVE FIREWALL COVE | 1 |
| 9 | 100-1890 | FIREWALL OPENING COVER FOR SEARZONE™ | 1 |
| 10 | 100-1945 | DUAL VALVE FIREWALL COVER FOR U-BURNER | 1 |
| 11 | 100-1946 | FIREWALL OPENING COVER FOR U-BURNER | 1 |
| 12 | 100-2013 | SIDE BURNER DRAIN CHANNEL | 1 |
| 13 | 130-3039 | SMOKER BOX BODY | 1 |
| 14 | 130-3040 | SMOKER BOX TOP DIFFUSER | 1 |
| 15 | 130-3041 | FLUE | 1 |
| 16 | 130-3042 | SEAR ZONE BURNER SHIELD | 1 |
| 17 | 130-3047 | REAR COVER PLATE | 1 |
| 18 | 200-0087 | WASHER - 1/4" SPRING LOCK- REGULAR - SS | 23 |
| 19 | 200-0089 | BOLT - HEX HEAD 1/4-20 x 1/2" L | 23 |
| 20 | 200-0111 | SCREW 8-18 X 1/2 - SELF TAP - 410 SS | 41 |
| 21 | 510-0487 | FIREWALL BRACKET FOR SIDE BURNER ASSEMBLY | 1 |
| 22 | 510-0492 | SIDE BURNER SUPPORT ASSEMBLY | 1 |
| 23 | 510-0502 | GREASE TRAY SUPPORT - RIGHT SIDE | 1 |
| 24 | 510-0503 | GREASE TRAY SUPPORT - LEFT SIDE | 1 |
| 25 | 510-0520 | FIREWALL SUPPORT BRACKET ASSEMBLY | 6 |
| 26 | 510-0904 | FRONT PANEL MNTG BRKT | 3 |
| 27 | 510-0926 | FIREBOX WELDED PARTS | 1 |
| 28 | 510-0995 | FIREWALL ASSEMBLY | 1 |

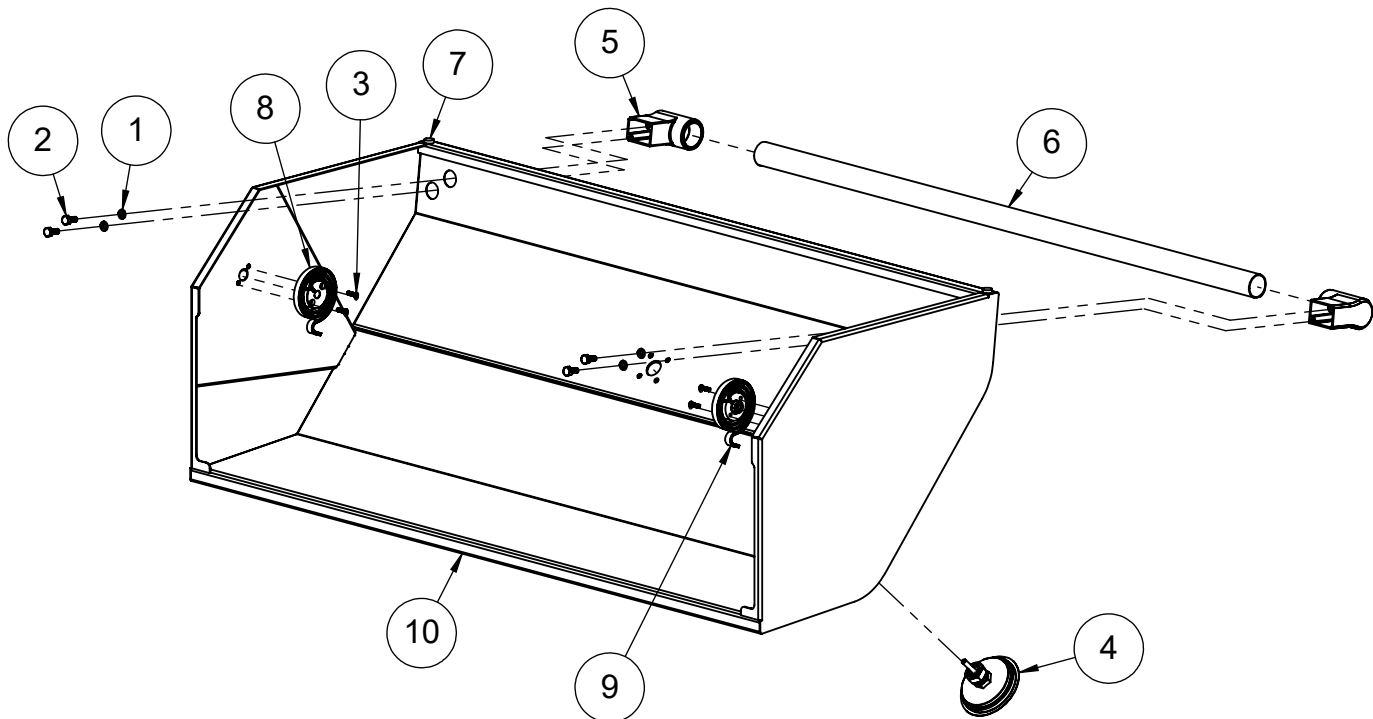
| ITEM | PART NUMBER | DESCRIPTION | QTY |
|------|-------------|--|-----|
| 1 | 130-3109 | DRIP TRAY INSERT | 1 |
| 2 | 200-0148 | SCREW 10-32 X 3/4" - FLAT HEAD - PHILLIPS - 82° - SS | 6 |
| 3 | 290-0119 | ROLLER WHEEL - STAINLESS STL - 3/4" Ø - | 6 |
| 4 | 510-0984 | DRIP TRAY WELDED PARTS | 1 |



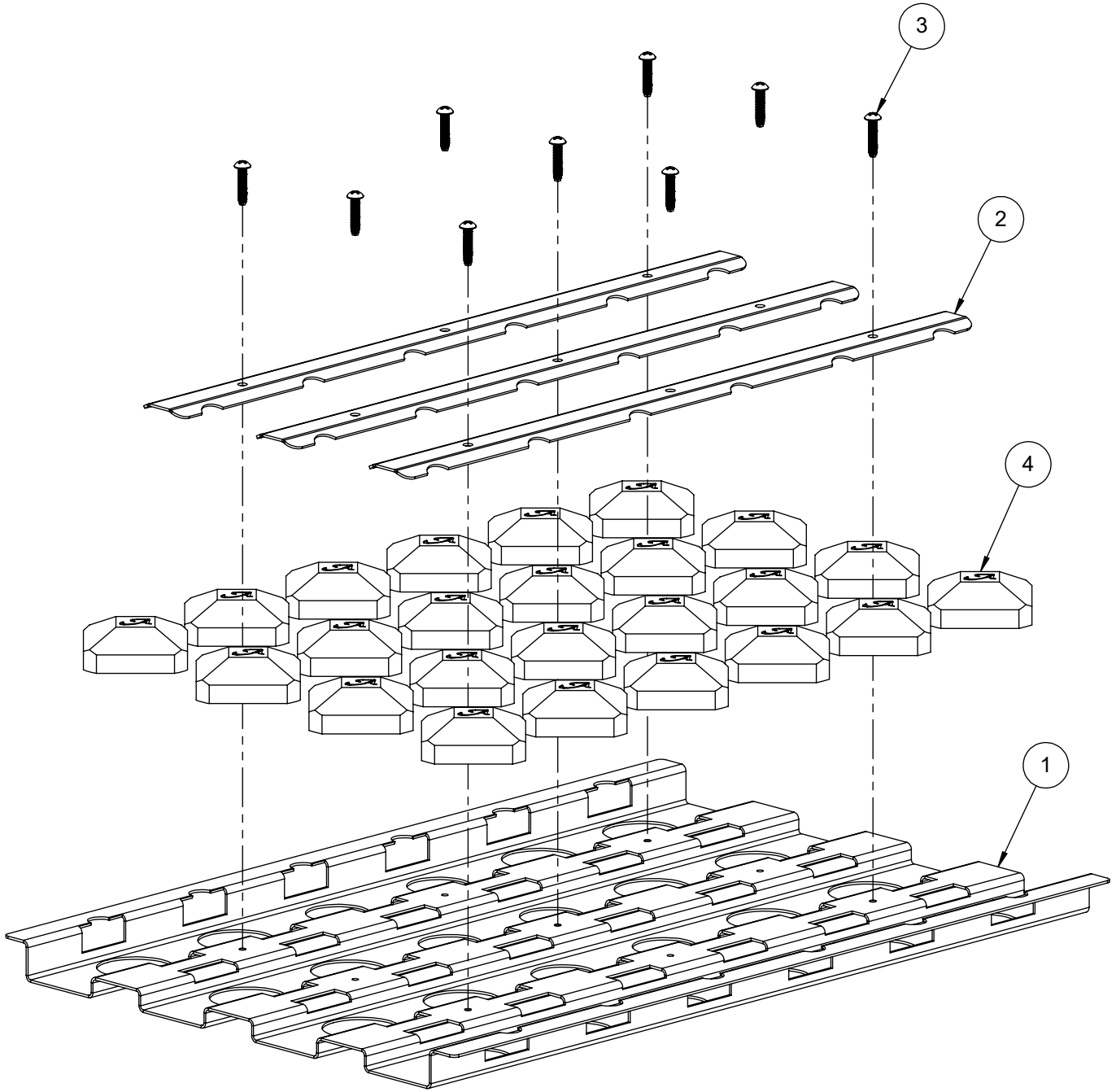
| ITEM | PART NUMBER | DESCRIPTION | QTY |
|------|-------------|--|-----|
| 1 | 100-1092 | ROTISSERIE GEAR COVER | 1 |
| 2 | 130-2985 | PIVOT PIN | 2 |
| 3 | 200-0057 | SCREW 1/4-20 X 1/2 - TRUSS HEAD - PHILLIPS | 2 |
| 4 | 200-0062 | 10-32 X 3/4 - PAN HEAD - PHILLIPS SCREW | 2 |
| 5 | 200-0087 | WASHER - 1/4" SPRING LOCK- REGULAR - SS | 4 |
| 6 | 200-0089 | BOLT - HEX HEAD 1/4-20 x 1/2" L | 4 |
| 7 | 200-0111 | SCREW 8-18 X 1/2 - SELF TAP - 410 SS | 1 |
| 8 | 200-0148 | SCREW 10-32 X 3/4" - FLAT HEAD - PHILLIPS - 82° - SS | 2 |
| 9 | 200-0361 | SCREW 8-32 X 5/8" - FLAT HEAD 82° - PHILLIPS | 4 |
| 10 | 290-0119 | ROLLER WHEEL - STAINLESS STL - 3/4" Ø | 2 |
| 11 | 510-0139 | ROTISSERIE GEAR ASSEMBLY | 1 |
| 12 | 510-0511 | WARMING RACK BRACKET ASSEMBLY - LEFT SIDE | 1 |
| 13 | 510-0513 | ROTISSERIE PANEL ASSY | 1 |
| 14 | 510-0519 | WARMING RACK BRACKET ASSEMBLY- RIGHT SIDE | 1 |
| 15 | 510-1202 | REAR HOOD & RIM WELDED PARTS | 1 |



| ITEM | PART NUMBER | DESCRIPTION | QTY |
|------|-------------|--|-----|
| 1 | 200-0087 | WASHER, 1/4" - SPRING LOCK - SS | 4 |
| 2 | 200-0219 | SCREW 1/4-20 UNC X 5/8 LONG - HEX HD - SS | 4 |
| 3 | 200-0361 | SCREW 8-32 X 5/8" - FLAT HEAD 82° - PHILLIPS | 4 |
| 4 | 210-0571 | 3-1/8 DIA THERMOMETER | 1 |
| 5 | 290-0400 | HANDLE END CAP | 2 |
| 6 | 290-0417 | BARBECUE HOOD HANDLE | 1 |
| 7 | 290-0465 | BUMPER 600°F 1/2" DIA x 5/32" HEAD | 2 |
| 8 | 510-0924 | SPIRAL TORSION SPRING LT | 1 |
| 9 | 510-0925 | SPIRAL TORSION SPRING RT | 1 |
| 10 | 510-1163 | FRONT HOOD (WELDED PARTS) | 1 |



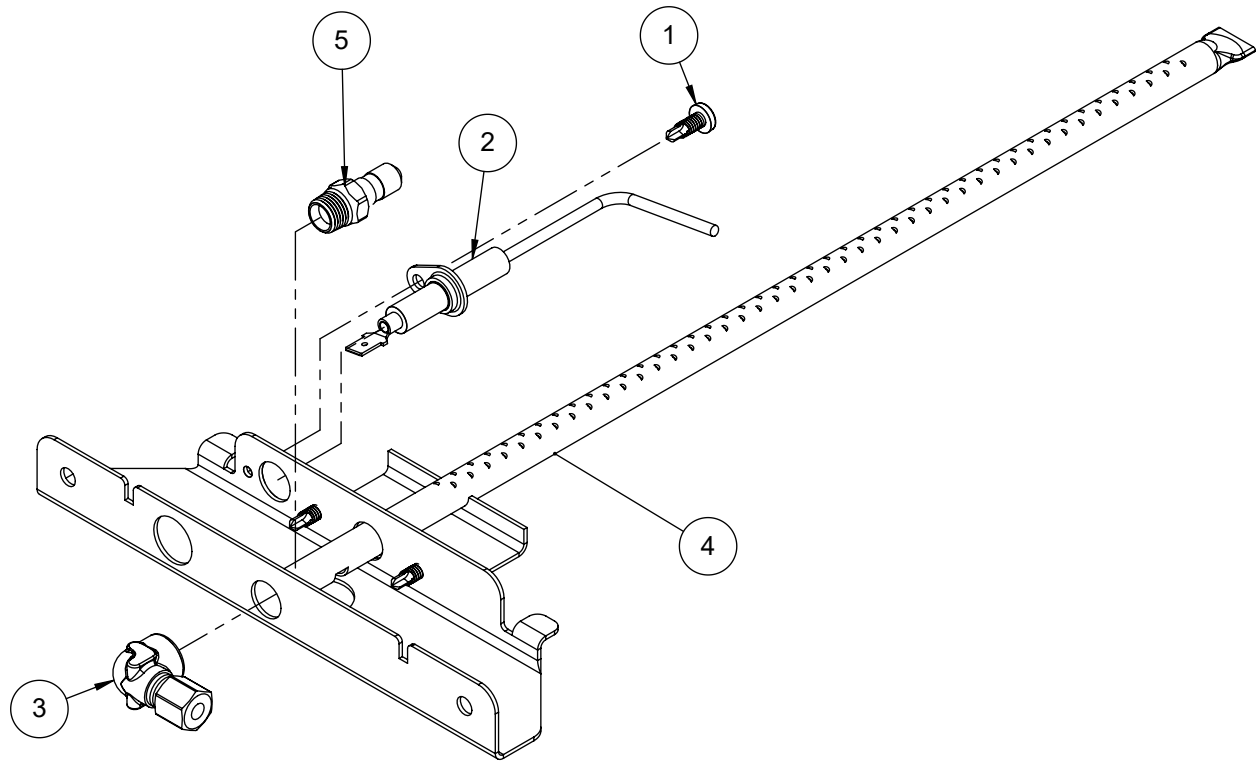
| ITEM | PART NO. | DESCRIPTION | QTY |
|------|----------|---|-----|
| 1 | 100-1894 | BRIQUETTE TRAY BASE | 1 |
| 2 | 100-1895 | BRIQUETTE LOCK BAR | 3 |
| 3 | 200-0312 | SCREW 8-32 x 3/4"- PAN HEAD - PHILLIPS - THREAD CUTTER TYPE F | 9 |
| 4 | 265-0005 | BRIQUETTE - ALFRESCO CUSTOM | 24 |



| ITEM | PART NUMBER | DESCRIPTION | QTY |
|------|-------------|--|-----|
| 1 | 200-0111 | SCREW, SMS, 8-18 X 1/2", PH, PAN, TEK, 410 SS | 1 |
| 2 | 210-0189 | ELECTRODE - "L" SHAPED - MAIN BURNER | 1 |
| 3 | 220-0273 | ELBOW, 1/8"-27 NPT-Female X 3/16" COMP., BRASS | 1 |
| 4 | 510-1560 | ALXE SMOKER & BRACKET SUB-ASSEMBLY | 1 |
| 5 | SEE NOTE | ORIFICE - SMOKER UNIT >>> SEE NOTE | 1 |

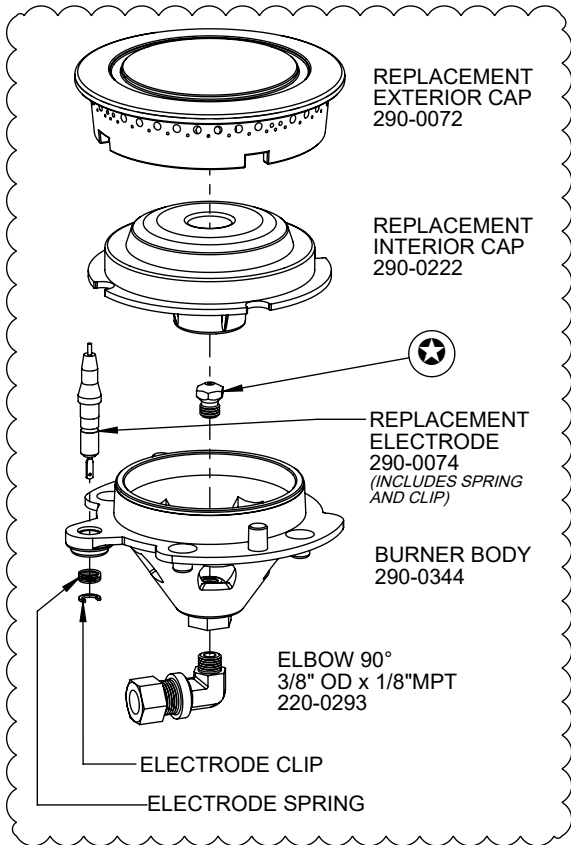
NOTE: ORIFICE OR VALVE ASSEMBLY TO CHANGE ACCORDING TO FUEL SUPPLY: NATURAL GAS OR LIQUID PROPANE

| ITEM | NG GAS | LP GAS |
|------|----------|----------|
| | PART # | PART # |
| 6 | 220-0468 | 220-0314 |



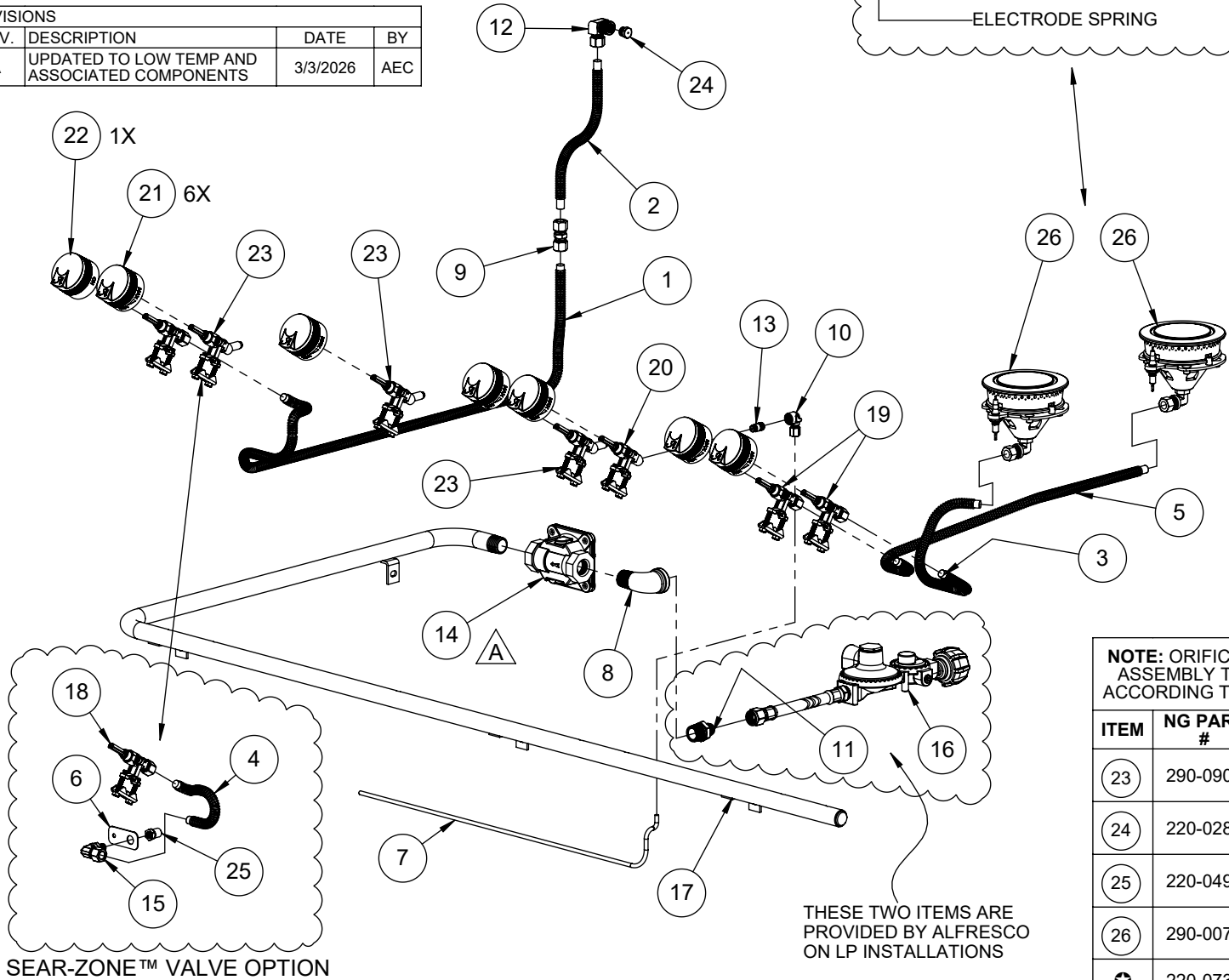
BILL OF MATERIAL

| NO. | PART # | DESCRIPTION | QTY |
|-----|----------|---|-----|
| 1 | 100-0914 | ROTISSERIE GAS LINE (42"L x 3/8" Ø - SS. FLEX TUBE) | 1 |
| 2 | 100-0917 | ROTISSERIE GAS LINE EXTENSION - 3/8"Ø X 8" - SS | 1 |
| 3 | 100-0917 | SIDE BURNER 8 in GAS LINE | 1 |
| 4 | 100-0917 | SEAR ZONE™ GAS LINE (8"L x 3/8" Ø - SS. FLEX TUBE) | 1 |
| 5 | 100-0941 | SIDE BURNER 24 in GAS LINE.SLDPRT | 1 |
| 6 | 100-1067 | SMOKER & SZ™ ORIFICE BRACKET | 1 |
| 7 | 100-1156 | 42" BBQ SMOKER GAS LINE | 1 |
| 8 | 200-0274 | ELBOW, STREET, 1/2" NPT X 1/2" NPT-F, BLACK IRON | 1 |
| 9 | 220-0151 | COUPLING, 3/8" COMP. x 3/8" COMP, BRASS | 1 |
| 10 | 220-0273 | ELBOW, 1/8"-27 NPT-Female X 3/16" COMP., BRASS | 1 |
| 11 | 220-0275 | NIPPLE, 1/2" NPT X 3/8" OD 45° FLARE, BRASS | 1 |
| 12 | 220-0276 | ELBOW, 3/8" NPT X 1/8 NPT-F INT. x 3/8" COMP., BRASS | 1 |
| 13 | 220-0277 | NIPPLE, 1/8 NPT x 1/16 NPT, BRASS | 1 |
| 14 | 220-0280 | REGULATOR GAS - MAXITROL RV48CL440002, 5" w.c. | 1 |
| 15 | 220-0293 | ELBOW, 3/8-27 UNS x M6-.75 INT x 3/8" COMP., BRASS | 1 |
| 16 | 220-0300 | REGULATOR - DUAL STAGE - LP GAS W/36" HOSE - GREEN | 1 |
| 17 | 220-0344 | MANIFOLD - 56" BBQ LX2 DELUXE | 1 |
| 18 | 290-0041 | GAS VALVE - STRAIGHT - WITHOUT ORIFICES | 2 |
| 19 | 290-0042 | GAS VALVE - SIDE BURNER - WITH INTERNAL ORIFICE | 2 |
| 20 | 290-0066 | GAS VALVE - ANGLED - ORIFICE: INT= 0.95 mm / EXT=NONE | 1 |
| 21 | 290-0433 | KNOB - BBQ VALVE - ASSEMBLY | 6 |
| 22 | 290-0434 | ALFRESCO -ROTISSERIE / SEAR ZONE™ KNOB | 1 |
| 23 | SEE NOTE | GAS VALVE - ANGLED WITH ORIFICE >>> SEE NOTE | 3 |
| 24 | SEE NOTE | ORIFICE - IR ROTISSERIE UNIT (SEE NOTE FOR SIZING) | 1 |
| 25 | SEE NOTE | ORIFICE - SEAR ZONE™ >>> SEE NOTE | 1 |
| 26 | SEE NOTE | SIDE BURNER ASSEMBLY ▶ SEE PARTS | 2 |



REVISIONS

| REV. | DESCRIPTION | DATE | BY |
|------|---|----------|-----|
| A | UPDATED TO LOW TEMP AND ASSOCIATED COMPONENTS | 3/3/2026 | AEC |

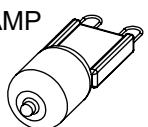


NOTE: ORIFICE OR VALVE ASSEMBLY TO CHANGE ACCORDING TO FUELTYPE

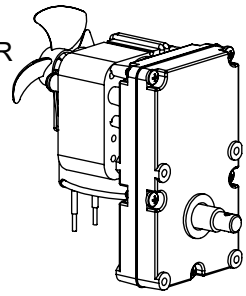
| ITEM | NG PART # | LP PART # |
|------|-----------|-----------|
| 23 | 290-0904 | 290-0311 |
| 24 | 220-0283 | 220-0284 |
| 25 | 220-0496 | 220-0290 |
| 26 | 290-0070 | 290-0071 |
| ☼ | 220-0739 | 220-0494 |

| ITEM | PART NUMBER | DESCRIPTION | QTY |
|------|-------------|--|-----|
| 1 | 210-0189 | ELECTRODE - "L" SHAPED - U-BURNER / SMOKER | 4 |
| 2 | 210-0192 | ELECTRODE - DUAL TIP - SEARZONE™ | 1 |
| 3 | 210-0240 | ELECTRODE - DUAL TIP "L" SHAPE- ROTISSERIE | 1 |
| 4 | 210-0465 | IGNITER MODULE (4 POINTS) | 2 |
| 5 | 210-0509 | LAMP ASSEMBLY (32" WIRE LENGTH) | 1 |
| 6 | 210-0510 | LAMP ASSEMBLY (56" WIRE LENGTH) | 1 |
| 7 | 210-0522 | IGNITER WIRE KIT | 1 |
| 8 | 210-0626 | PERIMETER LIGHT SWITCH | 1 |
| 9 | 290-0074 | ELECTRODE ASSEMBLY | 2 |
| 10 | 510-0514 | ROTISSERIE MOTOR BOX ASSEMBLY | 1 |

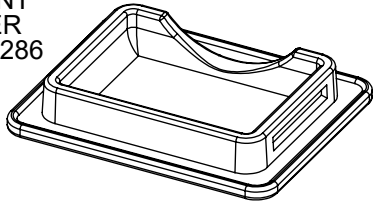
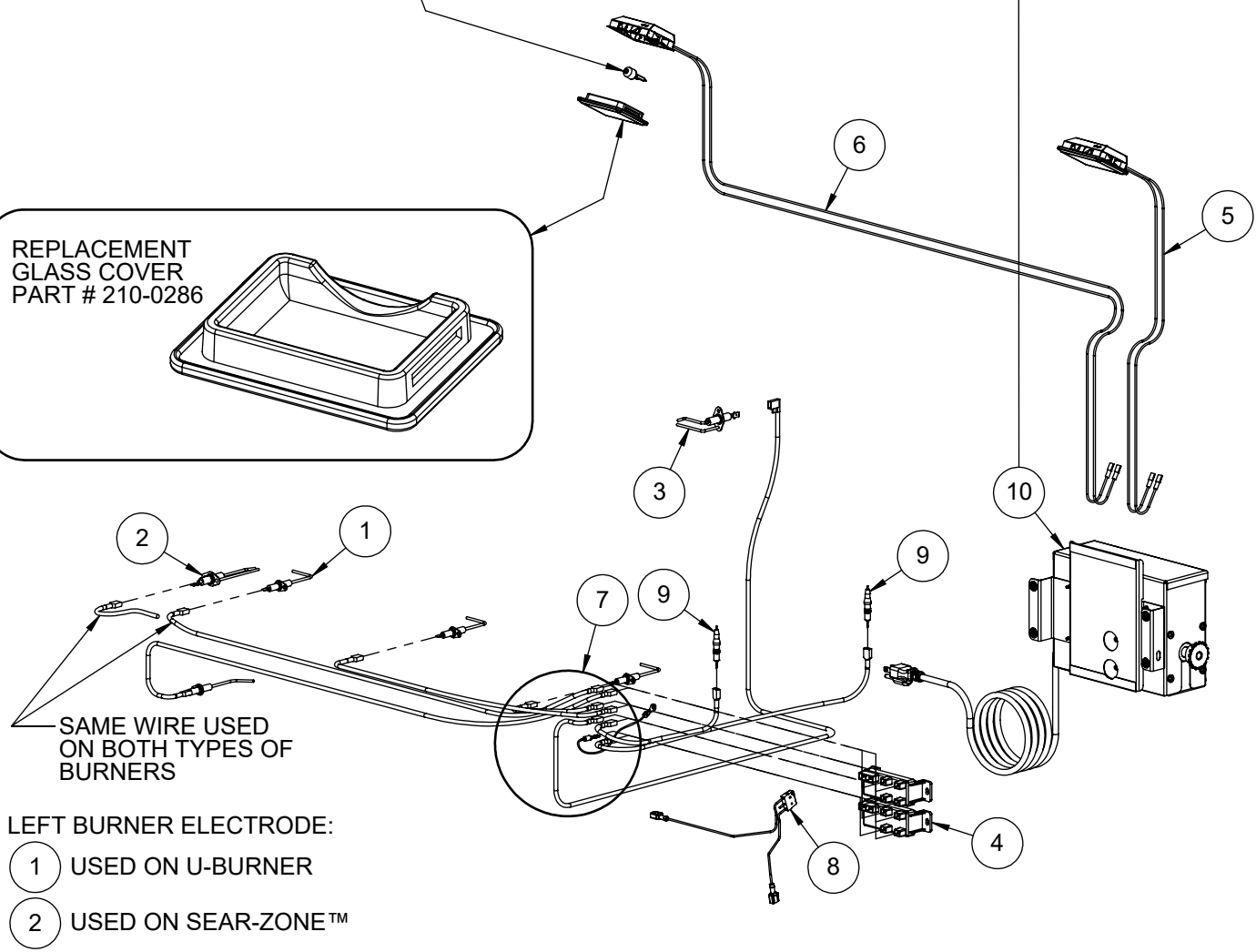
REPLACEMENT LAMP
G940120-G9 BASE
40W - 120 VAC
PART # 210-0317



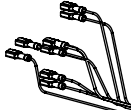
REPLACEMENT
ROTISSERIE MOTOR
PART # 210-0235



REPLACEMENT
GLASS COVER
PART # 210-0286

CONNECTIONS: NEUTRAL TO TRANSFORMER,
POWER TO TRANSFORMER AND IGNITER, LIGHTS
& ROTISSERIE SWITCHES. FRONT LEFT.

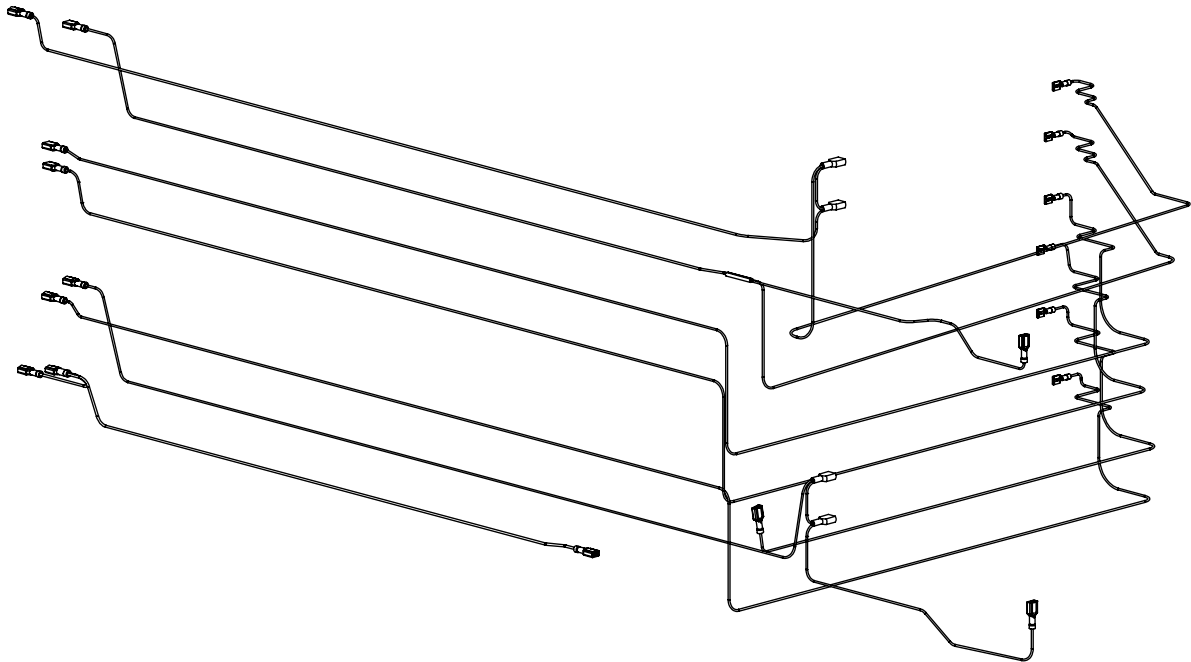


CONNECTIONS IN
MOTOR BOX AT
REAR RIGHT.



CONNECTIONS: IGNITER NEUTRAL & POWER,
PERIMETER LIGHT SWITCH NEUTRAL & POWER,
AND POWER TO TRANSFORMER. FRONT RIGHT.

WIRING HARNESS PART NUMBER 210-0630



EXPLODED VIEW OF WIRING HARNESS

NOTE: INDIVIDUAL WIRES ARE NOT SOLD SEPARATELY

TM

Alfresco

*Alfresco*TM
Open Air Culinary Systems

ALXE-56 PARTS MANUAL
ALFRESCO GOURMET GRILLS
ALL RIGHTS RESERVED • 03/2026