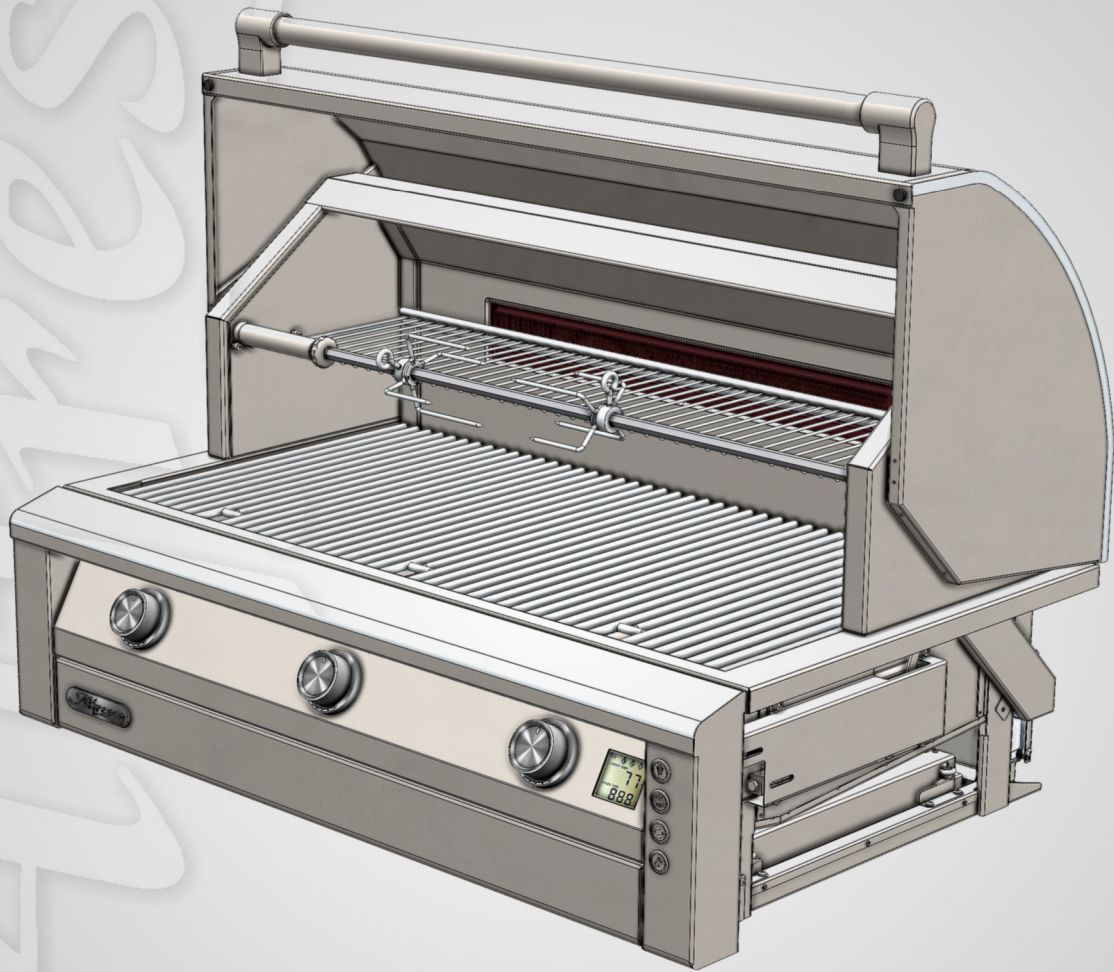


TM

Alfresco™

Open Air Culinary Systems



AIPG GRILL CARE AND USE MANUAL FOR ALL MODELS



1085 Bixby Drive
City of Industry, CA. 91745
(888) 383-8800
 www.alfrescogrills.com

INSTALLER: Leave these instructions with the consumer.
CONSUMER: Retain these instructions for future reference.

DANGER

IF YOU SMELL GAS:

1. SHUT OFF GAS TO THE APPLIANCE
2. EXTINGUISH ANY OPEN FLAME.
3. OPEN LID.
4. IF ODOR CONTINUES, KEEP AWAY FROM THE APPLIANCE AND IMMEDIATELY CALL YOUR GAS SUPPLIER AND OR FIRE DEPARTMENT.

WARNING

1. DO NOT STORE OR USE GASOLINE OR OTHER FLAMMABLE LIQUIDS OR VAPORS IN THE VICINITY OF THIS OR ANY OTHER APPLIANCE.
2. AN LP CYLINDER NOT CONNECTED FOR USE SHALL NOT BE STORED IN THE VICINITY OF THIS OR ANY OTHER APPLIANCE.

DANGER

S'IL Y A UNE ODEUR DE GAZ:

1. COUPEZ L'ADMISSION DE GAZ DE L'APPAREIL.
2. ÉTENDRE TOUTE FLAME NUE.
3. OUVRIR LE COURVERCLE.
4. SI L'ODEUR PERSISTE, ÉLOIGNEZ-VOUS DE L'APPAREIL ET APPELEZ IMMÉDIATEMENT LE FOURNISSEUR DE GAZ OU LE SERVICE D'INCENDIE.

AVERTISSEMENT

1. NE PAS ENTREPOSER NI UTILISER DE L'ESSENCE NI D'AUTRES VAPEURS OU LIQUIDES INFLAMMABLES À PROXIMITÉ DE CET APPAREIL NI DE TOUT AUTRE APPAREIL.
2. UNE BOUTEILLE DE GPL QUI N'EST PAS RACCORDEE EN VUE DE SON UTILISATION NE DOIT PAS ÊTRE ENTREPOSÉE À PROXIMITÉ E CET APPAREIL NI DE TOUT AUTRE APPAREIL.

TESTED IN ACCORDANCE WITH: ANSI Z21.58-2022 AND CSA 1.6-2022

THE STANDARD FOR OUTDOOR COOKING GAS APPLIANCES.

CODE REQUIREMENTS:

Installation of this cooking appliance must conform to local codes. In the absence of local codes, this unit should be installed in accordance with the *National Fuel Gas code ANSI Z223.1/NFPA 54*, the *Natural Gas and Propane Installation code CSA B149-1*, or the *Propane Storage and Handling Code CSA B149.2*.

All Electrical Components must be electrically grounded in accordance with local codes or in the absence of local codes with the *National Electrical Code NFPA 70* or *Canadian Electrical code Part 1 (CSA C22.1)*.

CALIFORNIA PROPOSITION 65 - WARNING Pursuant to California Health & Safety Code Sec. 25249.6

Appliances that use Natural Gas and Propane emit toxic combustion byproducts, that are on the list of substances which are known by the State of California to cause cancer and / or birth defects or other reproductive harm. To minimize exposure to these substances, always operate this unit in a well ventilated area and according to this use and care manual.

FOR OUTDOOR INSTALLATION AND USE ONLY:

This outdoor cooking gas appliance must only be used outdoors and must not be used in a building, garage, or any other enclosed area.

ILLUSTRATIONS AND DEFINITIONS OF OUTDOOR AREAS:

An appliance is considered to be outdoors if installed with shelter no more inclusive than with walls on three sides, but with no overhead cover (see image # 1) ; all openings must be permanently open; sliding doors, garage doors, windows, or screened openings are not considered as permanent openings or,

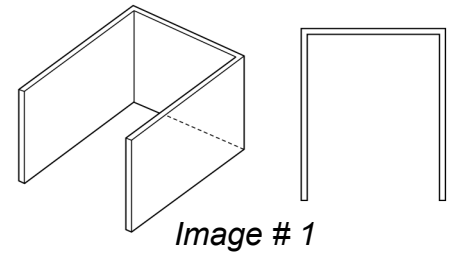


Image # 1

An appliance is considered to be outdoors if installed with shelter no more inclusive than within a partial enclosure that includes an overhead cover and no more than two sidewalls. The sidewalls may be parallel, as in a breezeway, or at right angles to each other (see image # 2 and # 3). All openings must be permanently open; sliding doors, garage doors, windows, or screened openings are not considered as permanent openings.

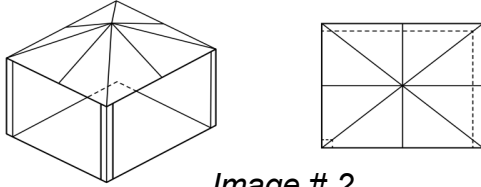


Image # 2

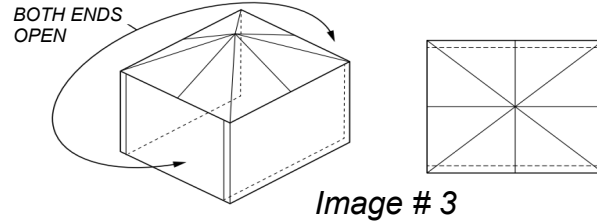


Image # 3

An appliance is considered to be outdoors if installed with shelter no more inclusive than within a partial enclosure that includes an overhead cover and three sidewalls, as long as 30% or more of the horizontal periphery of the enclosure is permanently open. (see image # 4 and # 5), All openings must be permanently open; sliding doors, garage doors, windows, or screened openings are not considered as permanent openings.

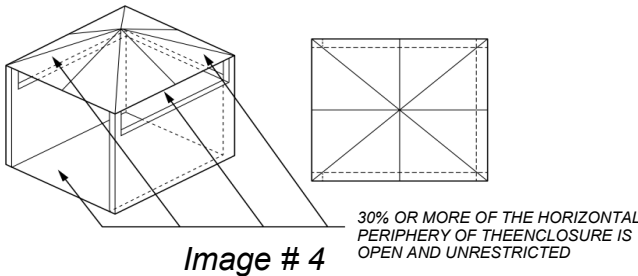


Image # 4

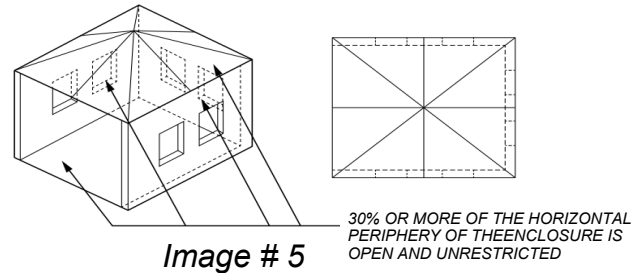


Image # 5

APPLIANCE SERIAL NUMBER LABEL:



NOTICE

THIS OUTDOOR COOKING APPLIANCE IS NOT INTENDED TO BE INSTALLED IN OR ON BOATS. THIS APPLIANCE IS NOT INTENDED TO BE INSTALLED IN OR ON RECREATIONAL VEHICLES.

CLEARANCES:

It is necessary to maintaining proper clearances from combustible construction, the specific minimum clearances from such construction to the sides and back of this cooking gas appliance is shown in the serial label.

SERIAL NUMBER LABEL IN THIS AREA

INFORMATION FOUND IN THE SERIAL PLATE:

- MODEL AND SERIAL NUMBER
- POWER / FUEL TYPE & OPERATING PRESSURE
- BTUH AND ORIFICE SIZE OF EACH BURNER
- PRECAUTIONARY INFORMATION AS STATED BELOW:

FOR OUTDOOR USE ONLY. IF STORED INDOORS, DETACH AND LEAVE CYLINDERS OUTDOORS • (A) DO NOT STORE SPARE LP-GAS CYLINDER UNDER OR NEAR THIS APPLIANCE • (B) NEVER FILL THE CYLINDER BEYOND 80 % FULL IF THE INFORMATION IN (A) AND (B) IS NOT FOLLOWED EXACTLY, A FIRE CAUSING DEATH OR SERIOUS INJURY MAY OCCUR.

MINIMUM OPERATING TEMPERATURE: 0 °F (-17.8 °C)

MINIMUM CLEARANCE FROM SIDES AND BACK OF UNIT TO COMBUSTIBLE CONSTRUCTION: 12" FROM SIDES AND 12" FROM BACK.

CART MODEL: DO NOT USE THIS APPLIANCE UNDER OVERHEAD UNPROTECTED COMBUSTIBLE SURFACES.

BUILT IN UNIT: IF INSTALLED UNDER OVERHEAD COMBUSTIBLE CONSTRUCTION, THE APPLIANCE MUST BE INSTALLED IN CONJUNCTION WITH A SUITABLE AND APPROVED OUTDOOR VENT HOOD ONLY.

FOR BUILT-IN APPLIANCES: ONLY FOR INSTALLATION IN BUILT-IN ENCLOSURE CONSTRUCTED OF NON-COMBUSTIBLE MATERIALS OR FOR INSTALLATION IN A BUILT-IN ENCLOSURE OF COMBUSTIBLE MATERIALS WHEN INSTALLED WITH INSULATING JACKET PART NO:

AIJ-36-01 (36"), AIJ-42-01 (42")

CONFORMS TO: ANSI Z21.58-2022 / CERTIFIED TO: CSA 1.6-2022
OUTDOOR COOKING GAS APPLIANCE

LOCATING AND ASSEMBLING THE GRILL:

When determining a suitable location for your grill, take into account the outdoor area as determined on page 3 and concerns such as wind exposure, rain, sprinklers, proximity to traffic paths and keeping any gas supply line runs as short as possible.

Locate the grill only in a well-ventilated area. Never locate the grill in a building, garage, or other such enclosed areas without an approved ventilation system. Never locate the grill over, under or next to unprotected combustible construction. During heavy use, the grill will produce a lot of smoke.

CLEARANCES:

TO NON-COMBUSTIBLE CONSTRUCTIONS:

A minimum of **3-5/8"** clearance from the back of the grill to non-combustible construction is required to allow the hood to be fully opened.

TO COMBUSTIBLE CONSTRUCTIONS:

The minimum clearance of the unit to combustible construction is indicated in the serial plate of the unit as well as the serial plate copy on page 3.

ASSEMBLY:

BUILT-IN MODELS: Before locating your Alfresco™ Grill into your non-combustible enclosure, please complete the following steps:

1. Remove all packaging materials.
2. Ensure that the burners are positioned correctly on their orifices, and are fully seated onto their supports. (See page 5 & 28)
3. Position the burner glass onto their support ledges.
4. Make the connection to the gas regulator according to the instructions on pages 13 thru 21 for your gas type.
5. To comply with safety and service requirements, the main gas shut off valve must be accessible from front of grill without using any tools.

Your Alfresco™ Grill has provision for mounting onto a mobile cart if you choose to do so. Contact your Alfresco™ dealer for the appropriate cart for your grill.

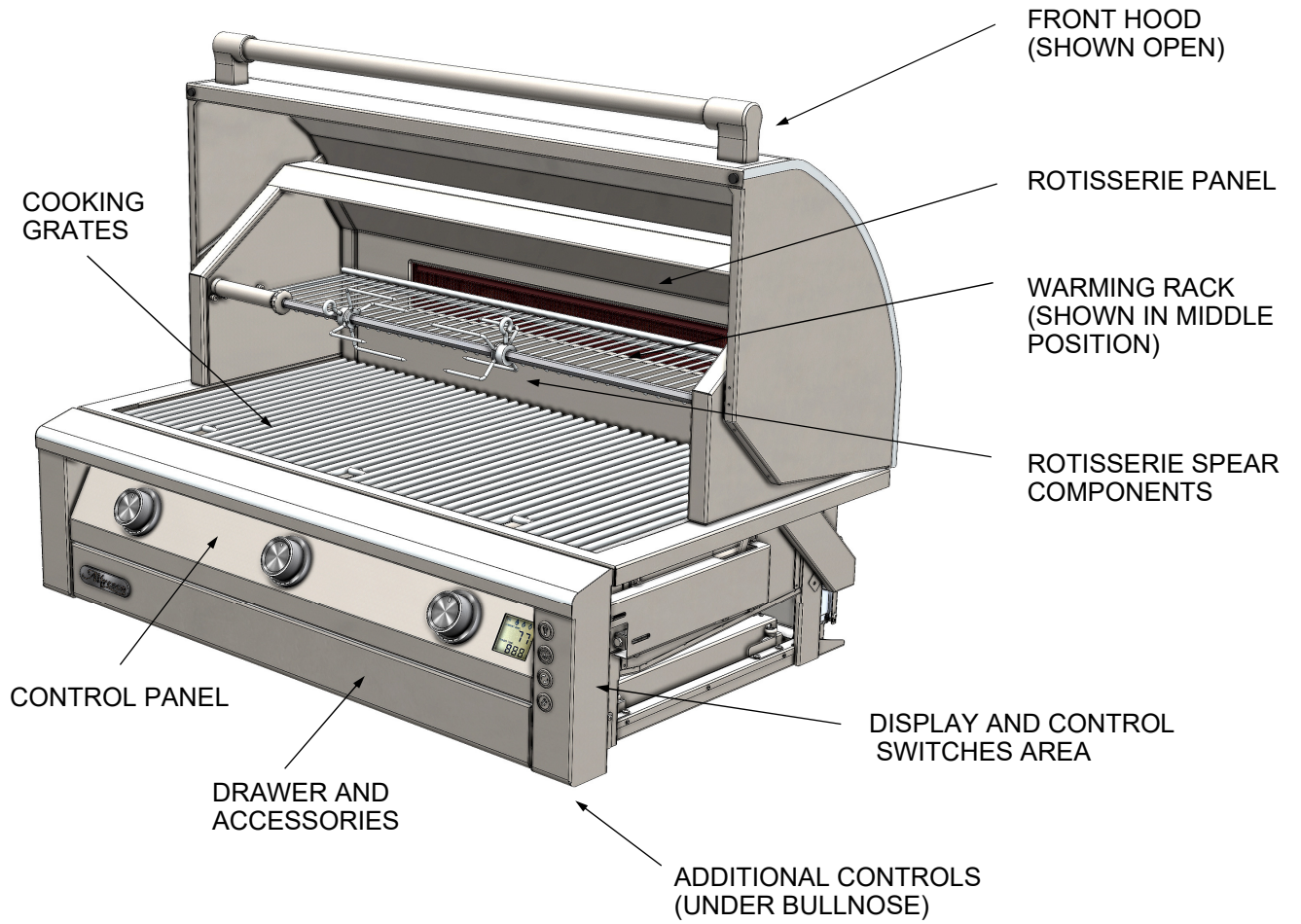
FREE STANDING (CART) MODELS: Please complete the following steps:

1. Remove all packaging materials.
2. Ensure that the burners are positioned correctly on their orifices, and are fully seated onto their supports. (see page 5)
3. Position the burner glass onto their support ledges.
4. Make the connection to the gas regulator according to the instructions on pages 13 thru 21 for your gas type.
5. Allow a minimum of 3" clearance around all sides of grill cart for proper air movement.
6. Lock the front casters to prevent unwanted grill / cart movement.

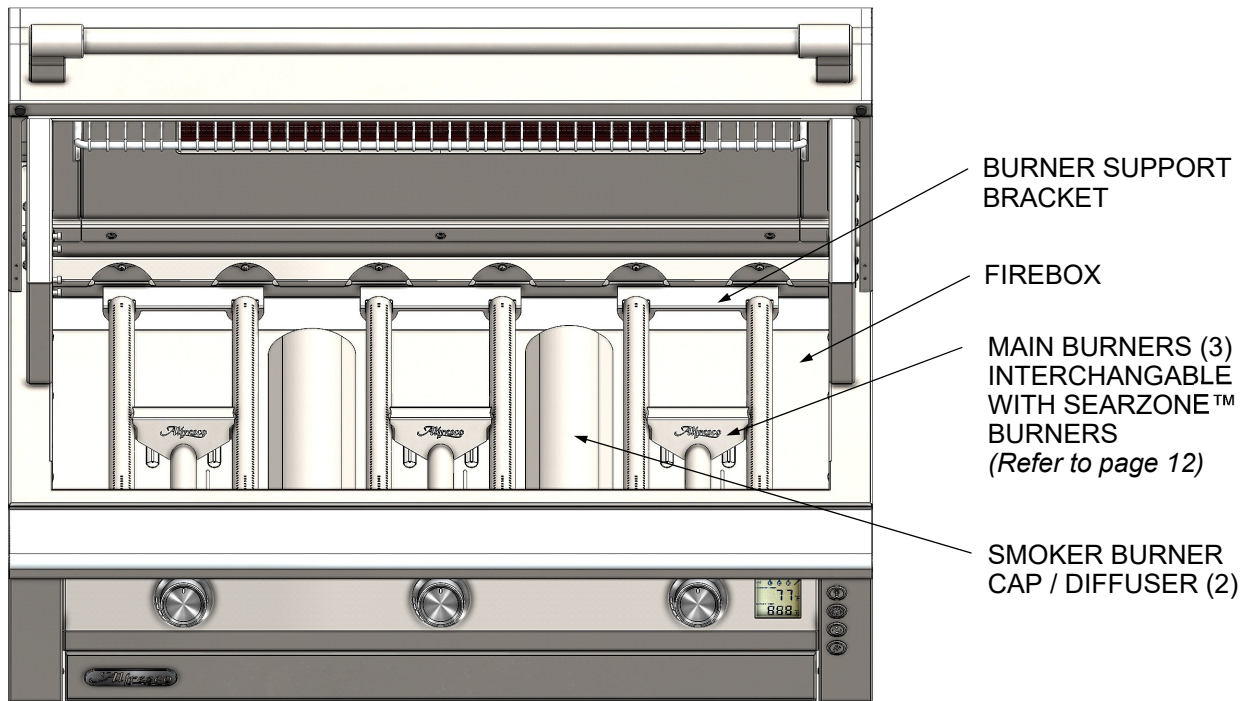
NOTE:

To prevent lighting problems and ensure proper operation of your grill, it is imperative that the burners are properly installed and aligned with respect to the gas orifices.

GRILL COMPONENTS:



ADDITIONAL CONTROLS (UNDER BULLNOSE)



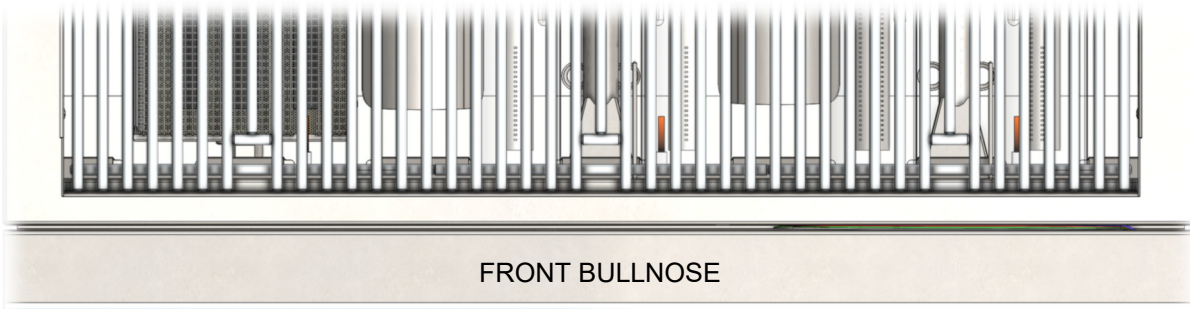
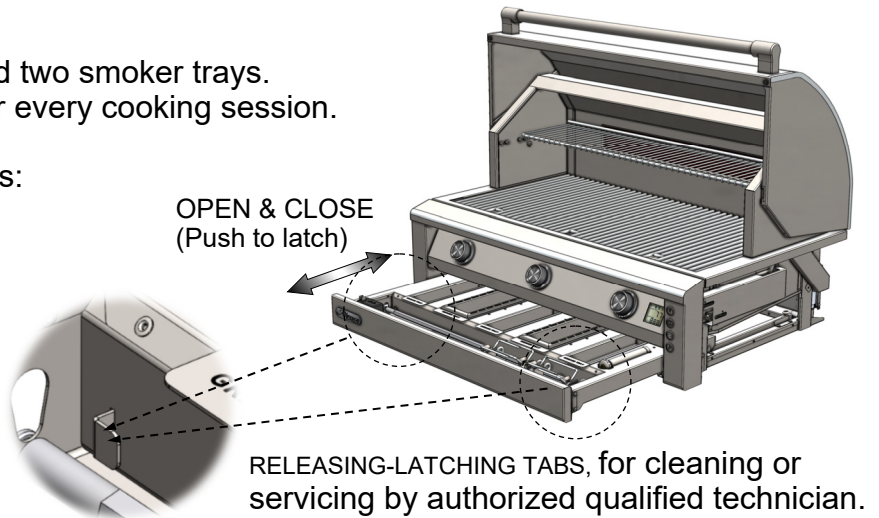
DRAWER AND ACCESSORIES:

The drawer contains three grease trays and two smoker trays. They are recommended to be cleaned after every cooking session.

The drawer also contains these accessories:

- Rotisserie Spear,
- Rotisserie Hilt (handle) and storage.
- Rotisserie forks (4) and storage.
- Wireless Probe charger
- Wireless Probe (inside charger)

ITEM LOCATIONS



GREASE TRAY (3)

SMOKER TRAY (2)

ROTISSERIE SPEAR STORAGE

ROTISSERIE HILT AND STORAGE

WIRELESS PROBE CHARGER

WIRELESS PROBE

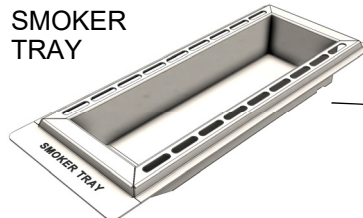
SERIAL LABEL INFORMATION

WARNING LABELS

ROTISSERIE FORKS AND STORAGE

TRAYS WARNING:

Make sure the grill has cooled enough to the touch before removing any tray. Trays are extremely hot during operation if the smoker burner is in use.

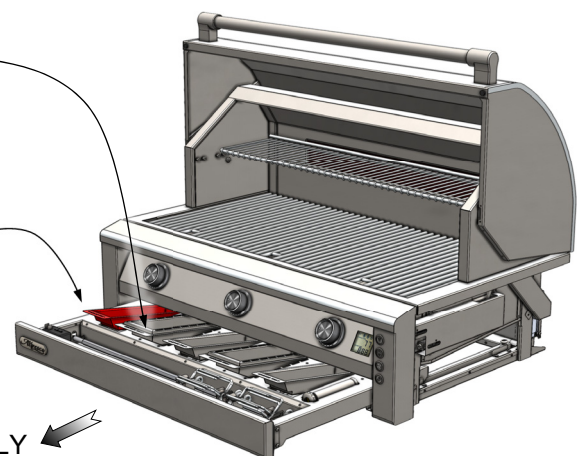


TRAY REMOVAL:

To remove the smoker or grease trays, open the drawer fully. Lift the front of the tray and slide the tray towards the front and up.



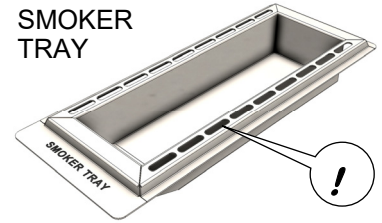
OPEN FULLY



SMOKER TRAYS:

When filling the smoker tray with wood (chips / chunks) or herbs, **DO NOT** exceed the top edge where the smoker vents are located.

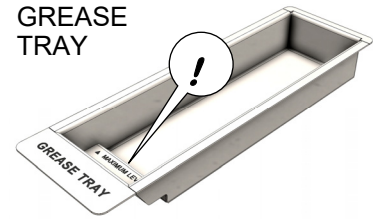
The smoker tray could become stuck once the drawer is closed. Remove all pieces that do not allow you to close the drawer freely.



GREASE TRAYS:

Grease trays have an indication of the maximum grease level allowed in order to prevent spills during tray removal.

DO NOT store unused wood or herbs in the grease tray.

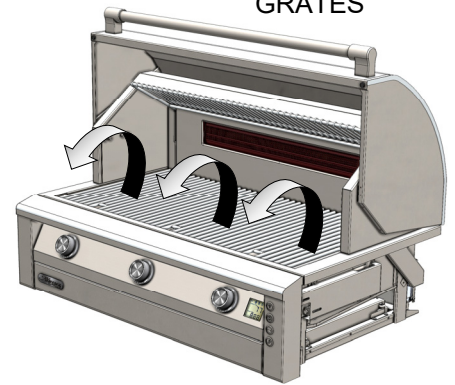


It is recommended to clean the grease and smoker trays after every use once the grill has cooled enough to the touch.

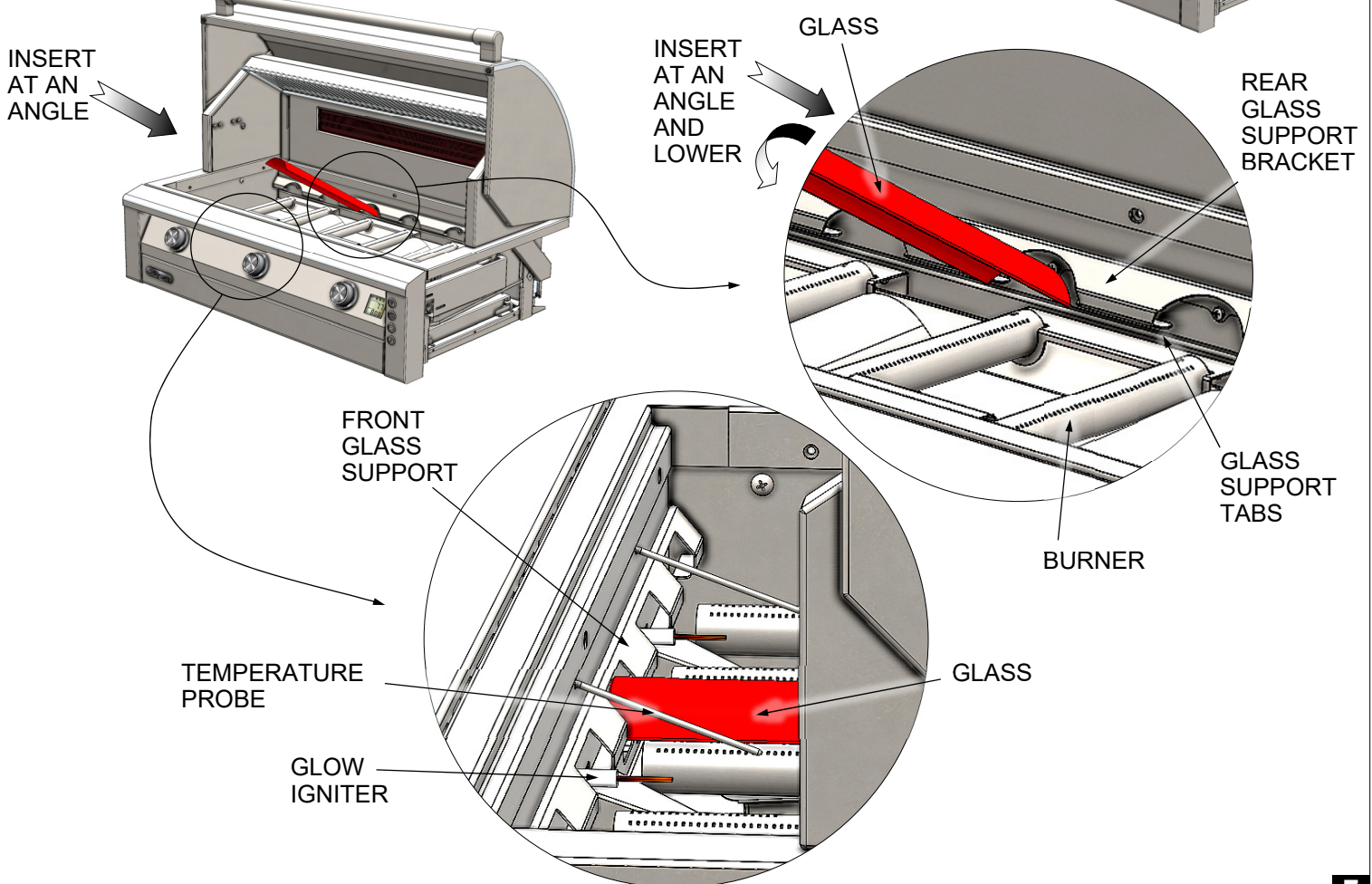
THERMAGLASS™ INSTALLATION & REMOVAL:

- Remove the cooking grates.
 - Insert the burner Thermaglass shield at a slight angle of 20° ~ 30°
 - Place the Thermaglass in the rear support tabs of the bracket.
 - Lower the Thermaglass into the front support.
 - The Thermaglass should cover the burner and rest flat.
- The Thermaglass also covers the glow igniters.

REMOVE ALL GRATES



NOTE: Thermaglass™ shields should always be used when the main H-Burners are used in the AIPG BBQ unit.



GAS CONNECTIONS INFORMATION:

The AIPG BBQ unit is setup for LP or NG systems directly at the factory. Conversion kit from one fuel type to the other are available by contacting Alfresco™ Grills customer service.

For LP or NG fuel systems with flexible hoses, please inspect the hose before each use of the outdoor cooking gas appliance. If it is evident that there is excessive abrasion or wear, or the hose is cut, it shall be replaced prior to the outdoor cooking gas appliance being put into operation.

If the unit is installed with a flexible rubber hose / regulator assembly, only replace with assembly part number:

- **PROP-KIT-01**

This assembly consists of a 36" long hose with a 3/8" ODF fitting and dual in-line regulator with a **QCC1** connection.

Contact Alfresco™ Grills for replacement.

If the unit is installed with a flexible metal (stainless) hose or a coated stainless hose, (minimum 1/2" ID for NG and 3/8" ID for LP), similar hoses are available for replacement at plumbing stores, supply warehouses or home centers.

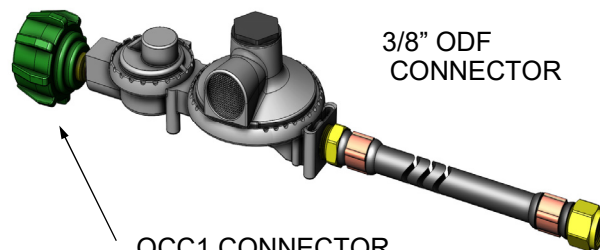
All rigid pipes, semi-flexible tubing and connectors must comply with **ANSI Z21.75** and **CSA 6.27** as suitable for outdoor installation.

The maximum length of the connection must be 6 Ft (1.82m).

CONNECTION ACCESS:

FOR BUILT IN UNITS: Locate the access plate or door provided in the outdoor counter or island for inspection of gas lines / shut-off valves and electrical connections.

FOR CART MOUNTED UNITS: For LP cart mounted units, inspection of the flexible hose, regulator and tank can be done by opening the doors of the cart. For NG cart mounted units, the flexible hose is available for inspection on the back of the cart unit.



3/8" ODF
CONNECTOR

QCC1 CONNECTOR



TYPICAL GAS
CONNECTION KIT
AVAILABLE AT
HOME CENTERS
COMPRISES OF
HOSE, ADAPTERS
AND / OR REDUCERS
AND GAS APPROVED
SEALING TAPE.

⚠️ WARNING

ELECTRICAL GROUNDING INSTRUCTIONS:

THIS OUTDOOR COOKING GAS APPLIANCE IS EQUIPPED WITH A THREE-PRONG (GROUNDING) PLUG FOR YOUR PROTECTION AGAINST SHOCK HAZARD AND SHOULD BE PLUGGED DIRECTLY INTO A PROPERLY GROUNDED THREE-PRONG RECEPTACLE. DO NOT CUT OR REMOVE THE GROUNDING PRONG FROM THIS PLUG.

⚠️ AVERTISSEMENT

INSTRUCTIONS DE MISE À LA TERRE ÉLECTRIQUE: CET APPAREIL DE CUISSON AU GAZ D'EXTÉRIEUR EST ÉQUIPÉ D'UNE FICHE À TROIS BROCHES (MISE À LA TERRE) POUR VOTRE PROTECTION CONTRE LES RISQUES D'ÉLECTROCUTION ET DEVRAIT ÊTRE BRANCHÉ DIRECTEMENT DANS UNE PRISE À TROIS BROCHES CORRECTEMENT MISE À LA TERRE. NE PAS COUPER OU ENLEVER LA PRISE MISE À LA TERRE.

⚠️ WARNING

KEEP ANY ELECTRICAL CORD AND FUEL SUPPLY HOSE AWAY FROM ANY HEATED SURFACES.

⚠️ AVERTISSEMENT

GARDER TOUT LE CORDON ÉLECTRIQUE ET LE TUYAU D'ALIMENTATION DE CARBURANT À L'ÉGARD DE TOUTES SURFACES CHAUFFANTES.

⚠️ WARNING

HOOD MUST BE OPEN WHEN LIGHTING THE GRILL.
HOOD SHOULD NOT BE CLOSED FOR LONG PERIODS WHEN IR BURNERS ARE IN USE.

⚠️ AVERTISSEMENT

LE CAPOT DOIT ÊTRE OUVERT LORSQUE L'ALLUMAGE DE LA HOTTE DU GRIL. NE DOIT PAS ÊTRE FERMÉ PENDANT DE LONGUES PÉRIODES LORSQUE DES BRÛLEURS IR SONT UTILISÉS.

LIGHTING INSTRUCTIONS , DISPLAY AND CONTROLS SWITCHES:



LIGHT SWITCH (ON / OFF)

- Hood Lights, Knobs Panel & Display
- Cart Lights (cart units only)

ROTISSERIE BURNER (ON / OFF)

ROTISSERIE MOTOR (ON / OFF)

SMOKER BURNERS (ON / OFF)

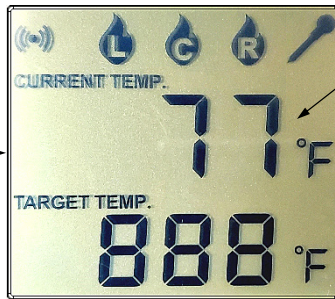
MAIN BURNER CONTROL KNOB

BEZEL LIGHT:
TURNS ON / OFF WITH LIGHTS OR BY TURNING KNOB TO POWER THE BURNER.

Bluetooth
(CONNECTED)

MAIN BURNERS :
LEFT CENTER RIGHT

WIRELESS PROBE SENSOR
(SEE PAGE 32 FOR USAGE)



CURRENT TEMPERATURE:
DISPLAYED FOR 2 SECONDS IN ADDITION TO THE SYMBOL ON TOP, USED TO MONITOR EACH BURNER TEMPERATURE

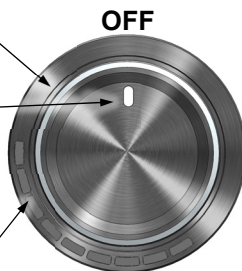
°F (DEFAULT) OR °C
SELECTABLE FROM COMPANION SMARTPHONE APP.

TARGET TEMPERATURES:

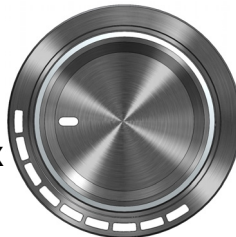
DISPLAYED AS - - - WHEN NO TARGET TEMPERATURE IS SELECTED. TARGET TEMP. AND ALARMS ARE ONLY SELECTABLE BY COMPANION SMARTPHONE APP AVAILABLE AT GOOGLE PLAY AND APPLE'S APP STORE. COMPATIBLE DEVICES:



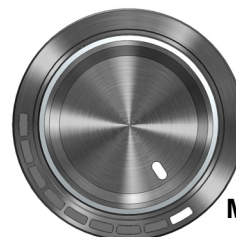
TOP INDICATOR
(POINTS UP WHEN BURNER IS OFF)



HI
or
MAX



MIN or **LOW**



BURNER POWER:

INDICATES THE RELATIVE POWER OF THE BURNER WHEN THE BURNER IS TURNED ON.
(Refer to page 10 for additional information)

ADDITIONAL CONTROLS:

There are 2 additional buttons located under the right side bullnose to control the different lighting options (color and brightness) of your Control Panel, Knobs, Display and Cart Lights (for cart models only).

Push the switch to cycle through your options.



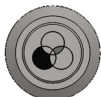
LIGHT COLOR SWITCH (RIGHT)

LIGHT LEVEL SWITCH (LEFT)



LIGHT LEVEL SWITCH:

8 light levels (brightness) to choose from.



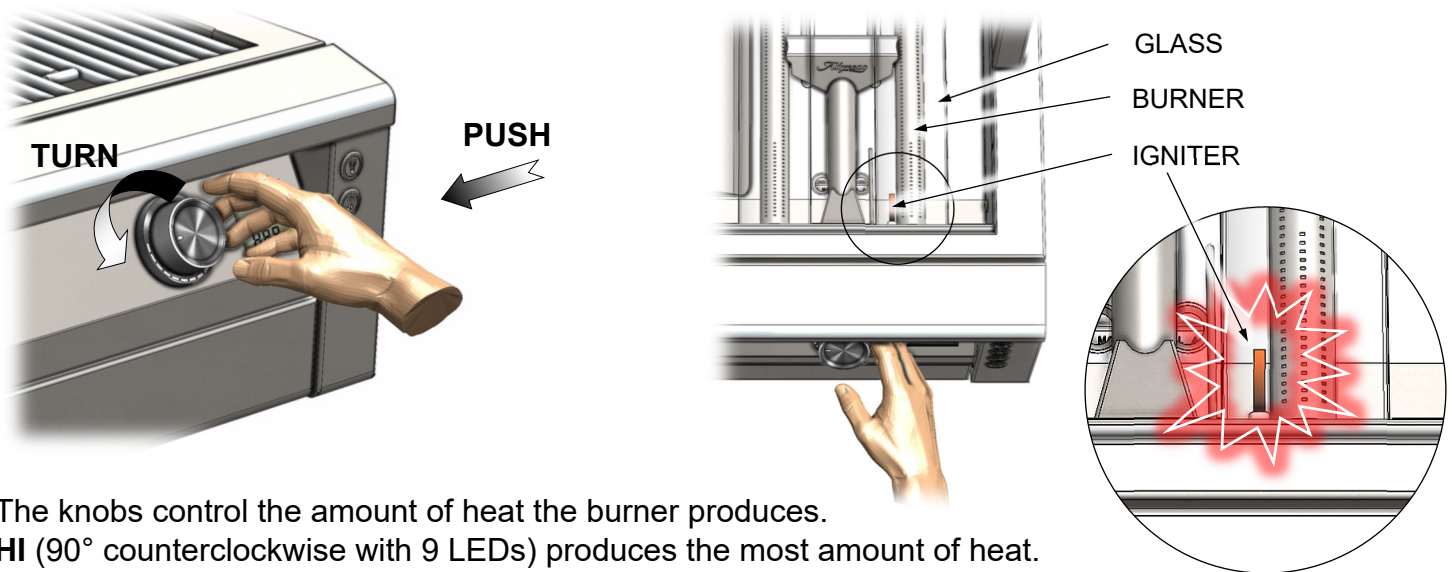
LIGHT COLOR SWITCH:

20 colors you can choose from.

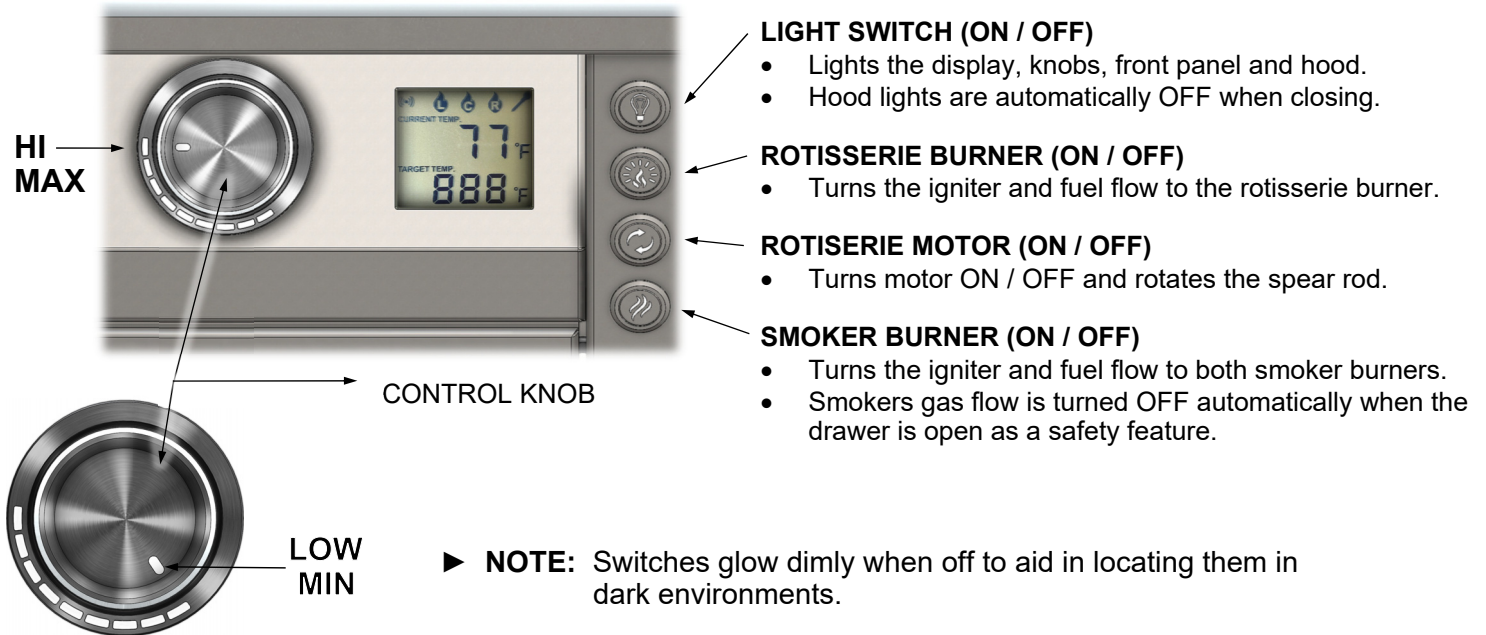
LIGHTING THE GRILL:

- To light the grill burners simply push and rotate the proper knob counterclockwise 90°.
- Immediately after, you will see the igniter start to glow from black to red in the corresponding burner and it will light up seconds after.

► **NOTE:** The igniters remain ON when the burner is ON as a safety feature.



- The knobs control the amount of heat the burner produces.
- **HI** (90° counterclockwise with 9 LEDs) produces the most amount of heat.
- **LOW** (by continuing to turn to 1 LED) produces the least amount of heat.
- Each one of control switches turns on the various burners or functions as described below:



LIGHT SWITCH (ON / OFF)

- Lights the display, knobs, front panel and hood.
- Hood lights are automatically OFF when closing.

ROTISSERIE BURNER (ON / OFF)

- Turns the igniter and fuel flow to the rotisserie burner.

ROTISSERIE MOTOR (ON / OFF)

- Turns motor ON / OFF and rotates the spear rod.

SMOKER BURNER (ON / OFF)

- Turns the igniter and fuel flow to both smoker burners.
- Smokers gas flow is turned OFF automatically when the drawer is open as a safety feature.

► **NOTE:** Switches glow dimly when off to aid in locating them in dark environments.

BURNER WARNING:

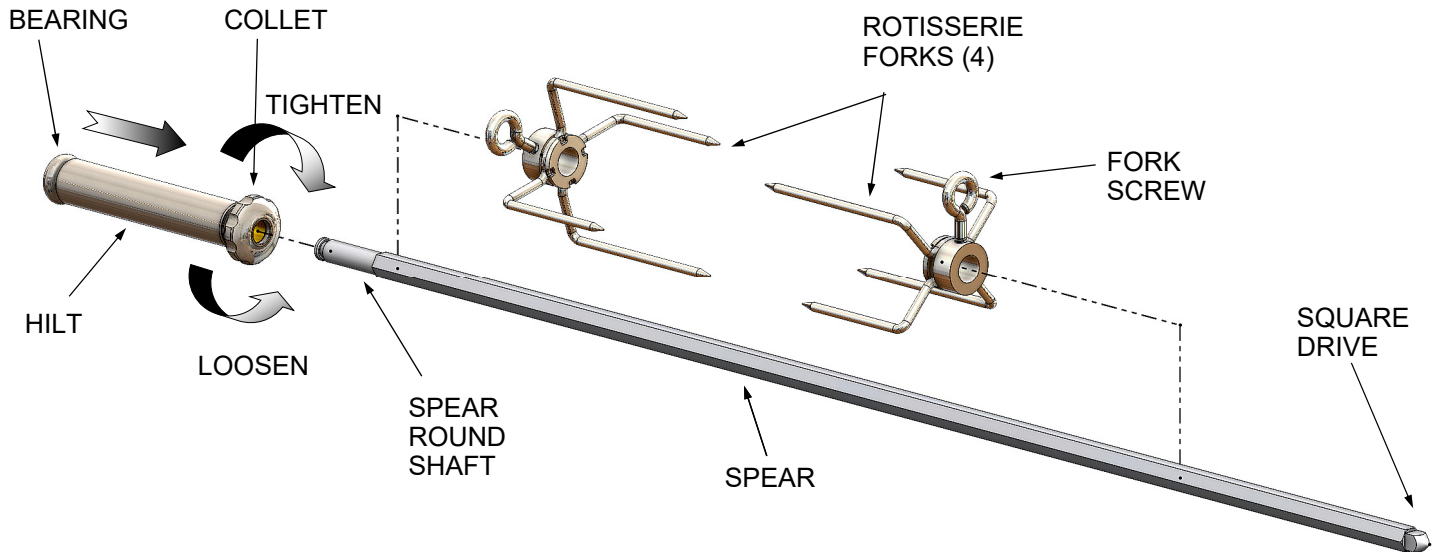
To prevent harm and ensure proper operation of your grill, it is imperative that the burners are properly installed with respect to the gas orifices. Be certain that the orifice is inserted completely into the burner's inlet and that the burner rests firmly on its rear support bracket.

The burner should not rock side-to-side nor top-to-bottom if properly installed. If excessive burner movement is present, reseal burner or contact your authorized service provider.

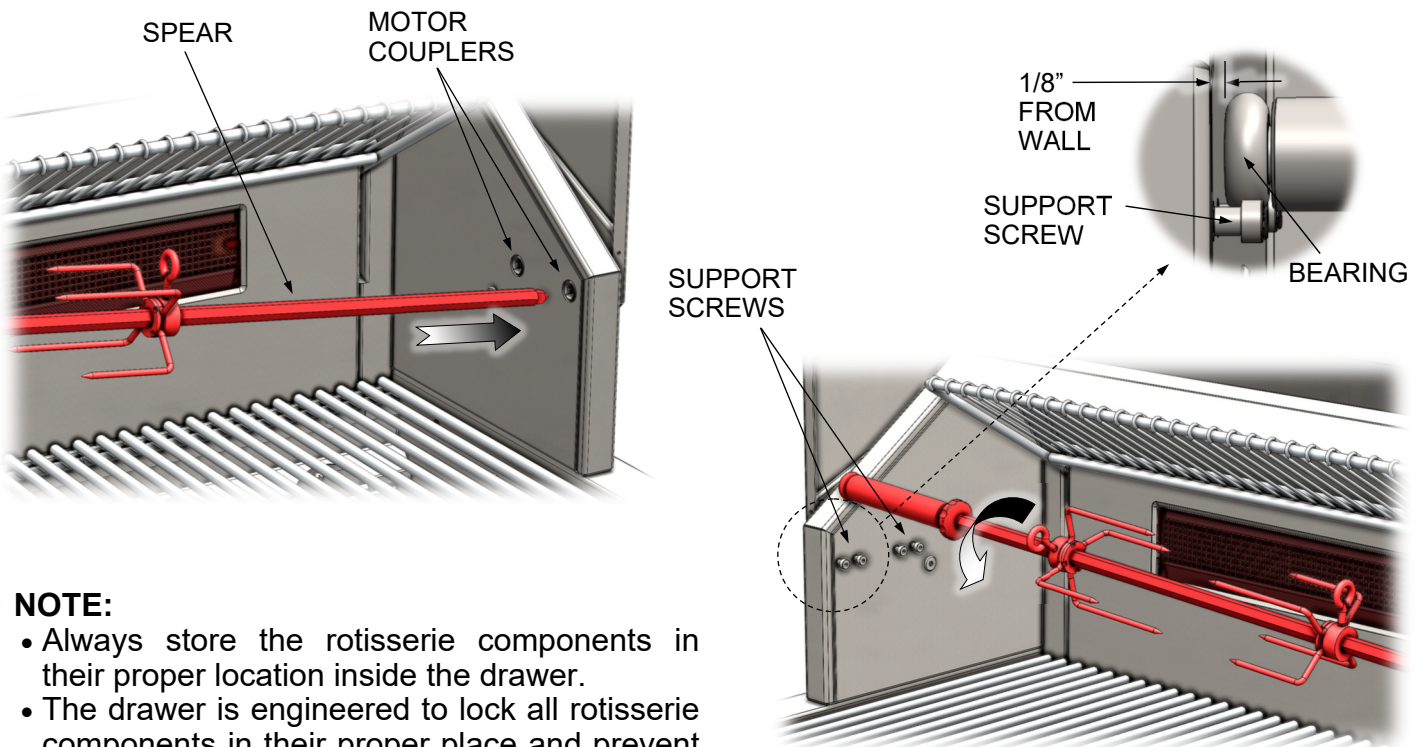
If the burner does not turn **ON** after a few seconds once the igniter is glowing, turn the burner **OFF**, wait 5 minutes and try again. Consider turning the burner **ON** with the Front Hood **CLOSED** in windy areas and immediately **OPEN** the Front Hood to verify that the burner is properly lit and operating correctly.

ROTISSERIE SPEAR ASSEMBLY:

COMPONENTS:



- Insert the Hilt into the spear's round end shaft.
- Adjust the collet so the hilt grips the spear end tightly.
- Insert the square drive rotisserie motor coupler on the right side of the grill. (front or rear coupler)
- Rest the end bearing of the Hilt in the corresponding rear or front support screws on the left side.
- Loosen the collet and stretch extend the hilt end leaving 1/8" or less from the end of the inner wall.
- Remove from grill and insert forks and the food intended to rotisserie, tighten fork screws.
- Insert the spear back into the grill to begin cooking.



► NOTE:

- Always store the rotisserie components in their proper location inside the drawer.
- The drawer is engineered to lock all rotisserie components in their proper place and prevent them from moving loosely and about which could potentially jam the drawer.
- Never leave rotisserie components loose and always store them in their proper locations as shown on Page 6 of this manual.

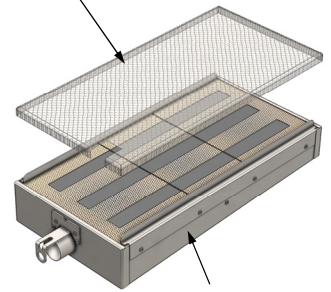
MAIN BURNER REPLACEMENT WITH SEARZONE™ BURNER

The main burners can be directly replaced with an optional Alfresco's Searzone™ Infrared Burners, by simply swapping the burner in any of the 3 main burner locations. The Searzone™ IR Burner has a top protective stainless steel screen designed to protect the ceramics from falling foodstuff. The screen is removable and cleanable.

To replace any of the main burners follow these steps:

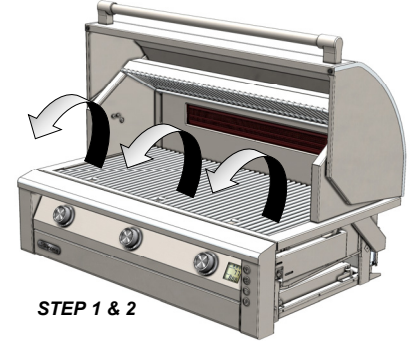
1. Remove all grates and rotisserie spear.
2. Relocate the warming rack to its stored location in order to have enough room to remove the desired burner to replace.
3. Remove the burner glass cover. (*Refer to page 7*)
4. Remove the main burner by lifting the burner from the back and rotating the burner clockwise to avoid touching the glow igniter.
5. Insert the Searzone™ IR Burner at an angle (just like the main burner was removed from the grill).
6. Rotate the Searzone™ IR Burner as you lower it into the firebox while avoiding to touch the glow igniter.
7. Make sure the burner is locked between the tabs of the burner support to prevent the Searzone™ IR Burner from moving sideways.
8. When properly installed, the Searzone™ IR Burner should lay flat and the protective screen opening should be located directly around the glow igniter.

PROTECTIVE SCREEN

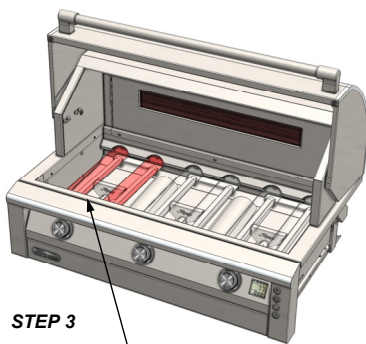


SEARZONE™ BURNER

REMOVE ALL GRATES

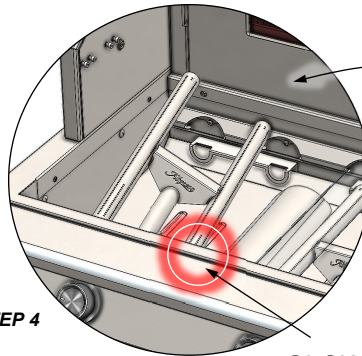


STEP 1 & 2



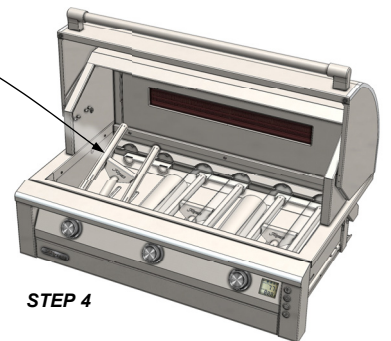
STEP 3

REMOVE GLASS
(Left burner shown)

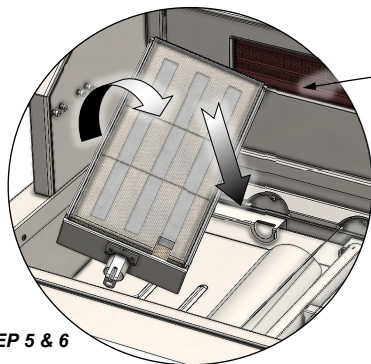


STEP 4

GLOW IGNITER
LOCATION

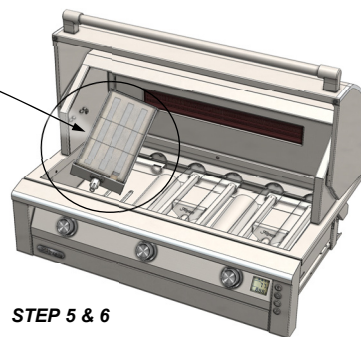


STEP 4

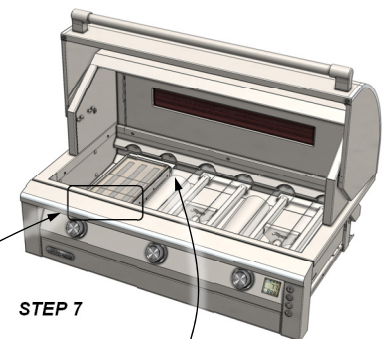


STEP 5 & 6

ROTATE
AND
LOWER



STEP 5 & 6

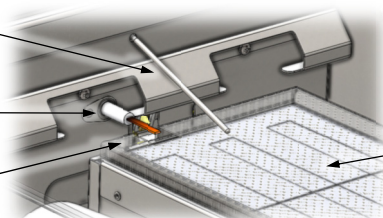


STEP 7

TEMPERATURE
SENSOR

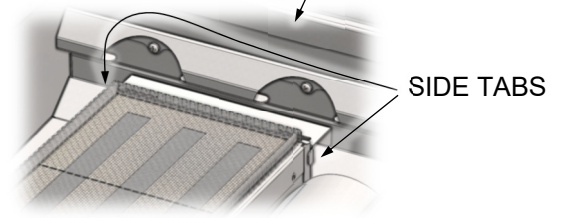
GLOW
IGNITER

SCREEN
OPENING



STEP 8

PROTECTIVE
SCREEN



SIDE TABS

STEP 7

SEARZONE™ BURNER OPERATION:

- The Searzone™ Burner lights up in the same manner as the Main Burners but provides intense infrared searing heat for all types of foods.
- **DO NOT** leave food on the Searzone™ Burner unattended to prevent over charring.
- Operate the Searzone™ Burner only with the Front Hood in the **OPEN** Position.
- The Searzone™ Burner temperature is adjustable just like the main burners.
- **DO NOT** lower the Searzone™ Burner temperature to a point where the burner is no longer showing a **RED color**. Doing so will not allow food drippings (grease or food particles) to burn off on the surface or protective screen potentially clogging the ceramic pores of the surface which will require additional cleaning afterwards.

PARTS AND REPLACEMENTS:

For information regarding obtaining replacement parts please refer to “How to obtain service” on page 42 of this manual.

OPERATING TEMPERATURE:

The minimum operating temperature for safe use of this outdoor cooking gas appliance is 0 °F (-17.8 °C)

NOTE: PORTABLE (CART-MOUNTED) OUTDOOR GRILLS MUST NOT BE USED UNDER OVERHEAD COMBUSTIBLE CONSTRUCTION.

SELF CONTAINED LIQUID PROPANE (LP) GAS SUPPLY SYSTEMS:

L.P. TANK REQUIREMENTS:

Use only a standard 20 Lb. (5 Gallons) propane gas cylinder (18-1/4” H x 12-1/4” Ø). The tank must be installed in the upright position. Do not use a dented or rusty LP tank as it may be hazardous and should be checked by your LP supplier. Never use a cylinder with a damaged valve.

The LP cylinder shall be constructed and marked in accordance with the Specification *for LP Gas Cylinders of the U.S. Department of Transportation (DOT)* or **CSA B339**.

The cylinder must be provided with a shut off valve terminating in an LP gas supply cylinder valve outlet specified, as applicable, for connection type **QCC1** according to the standard for compressed gas cylinder valve outlet and inlet connections **CGA 791**.

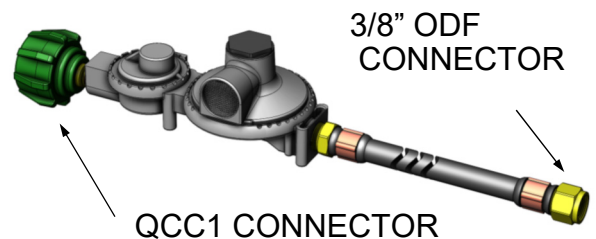
LP GAS CONNECTION TO LP TANKS:

Your Alfresco™ Grill for use with LP gas comes equipped with its own regulator, which **MUST NOT** be removed.

There is also a secondary High Capacity, Hose / Regulator assembly for connection to a standard 20 Lb. LP cylinder. The LP gas pressure regulator and hose supplied with this unit must be used without alteration.

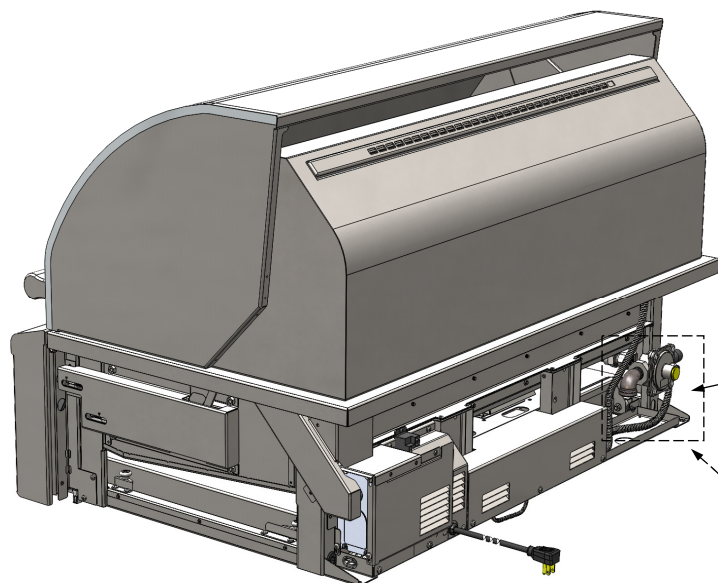
If this assembly needs to be replaced use only the type specified by Alfresco™ Grill for this appliance. Only replace with assembly part number: **PROP-KIT-01**

This assembly consists of a 36” long hose with a 3/8” ODF fitting and dual in-line regulator with a **QCC1** connection.

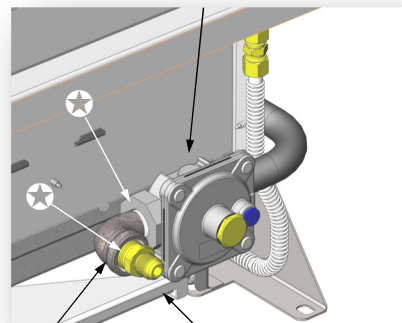


LP TANK CONNECTION STEPS:

1. Locate the regulator and gas connection point in the rear right side of your BBQ unit (in cart mounted models, remove the rear panel from the BBQ cart to gain access).
2. Attach a 1/2" FPT x 1/2" MPT (male-to-female) elbow to the regulator.
3. Attach a 1/2" MPT x 3/8" ODF (compression flare fitting) reducer to the elbow in order to connect to the LP tank regulator / hose assembly.



CONVERTIBLE GAS
PRESSURE REGULATOR



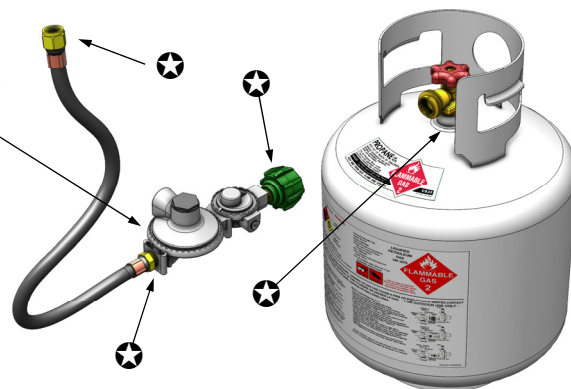
1/2" FPT X 1/2" MPT
90° ELBOW

1/2" FPT X 3/8"
FLARE BRASS
FITTING

NOTE:

Locations marked with a star (⊛) are areas of the piping that **MUST** be leaked checked after every connection.

LP REGULATOR
AND HOSE
ASSEMBLY



TYPICAL 20 LBS. (5 GALLONS) LP GAS TANK

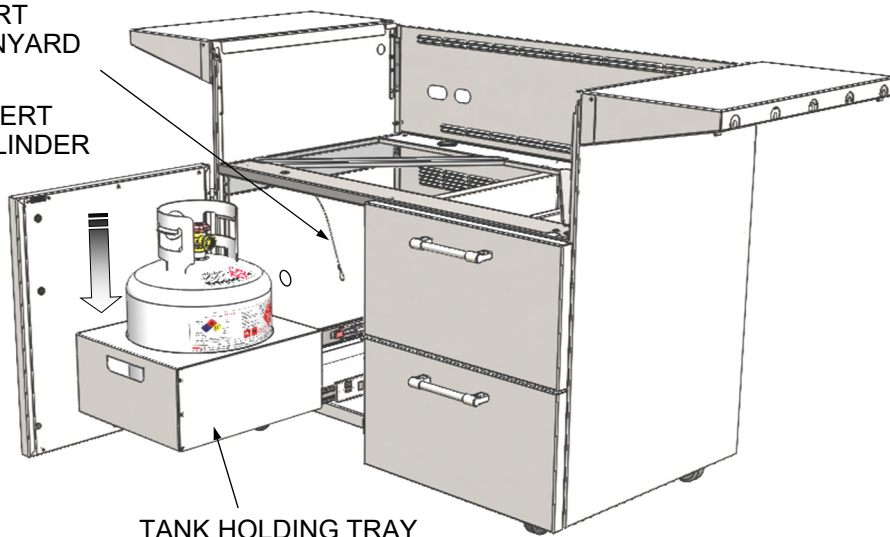
LP CYLINDER CART MOUNTING:

To install the LP cylinder in cart mounted grills, follow these steps:

- Open the door and pull out the cart LP cylinder tray to its full extended position.
- Insert the LP Cylinder vertically on the tray opening.

CART
LANYARD

INSERT
CYLINDER



TANK HOLDING TRAY

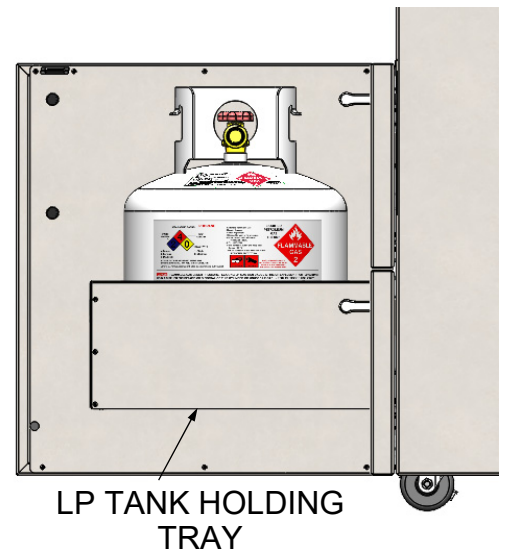
TANK RETENTION POINTS:

The standard 20 Lbs. (5 Gallons) LP tank rests on the center of the tank tray and it is retained in place.

LP REGULATOR HOSE ASSEMBLY RETENTION:

In addition to retaining the LP tank, it is also required to properly support the LP Regulator / Hose Assembly and prevent the unit from falling to the ground during LP tank exchanges as per ANSI Z21.58 regulations.

For this purpose, when installing the included LP Regulator and Hose Assembly, fasten the assembly to the cart unit with the included cart lanyard. (see previous diagram)



NOTE:

LP Tank cylinders of different brands are made of different materials as well as features. Other LP cylinders may be used with this appliance provided that they are compatible with the retention means as shown on the illustration above, while utilizing the same cylinder retention means and the same points of contact between the cylinder and the retention means.

The LP Gas Supply Cylinder to be used must be:

1. Constructed and marked in accordance with the Specifications for LP gas Cylinders of the U.S. Department of Transportation (**DOT**) or **CSA B339**, as applicable;
2. Provided with a listed overfilling prevention device; and
3. Provided with a cylinder connection device compatible with the connection for outdoor cooking appliance (Type **QCC1** connection)

LEAK TESTING LP TANK CONNECTIONS:

BEFORE TESTING:

- Make sure all the grill control knobs are in the **OFF** position. (see page 9)
- Do not smoke while leak testing.
- Never leak test with an open flame.
- Make a soap solution of one part liquid detergent and one part water for leak testing purposes.
- Always check with a full cylinder.

TO TEST:

- Apply the solution to the gas fittings marked with a star (★) on the previous page by using a spray bottle, or a brush to spread the solution.
- Turn the gas supply (LP Tank valve) to the **OPEN** position..
- Check all connections from the LP cylinder up to and including the manifold pipe assembly.
- Soap bubbles will appear is a leak is present.
- If a leak is present, immediately turn **CLOSE** the LP Tank valve, tighten any leaking fittings, turn the gas supply back **ON** and RECHECK again.
- If you cannot stop a gas leak **CLOSE** the LP Tank valve and call your dealer where you purchased your grill.
- Do not use the grill until all connections have been checked and do not leak.

ALWAYS CHECK FOR LEAKS AFTER EVERY LP TANK CHANGE.

IMPORTANT INFORMATION:

Check all gas supply fittings for leaks before each use. It is handy to keep a spray bottle of soapy water near the shut-off valve of the gas supply line. Spray all the fittings. Bubbles indicate leaks.

If the outdoor cooking gas appliance is not in use, the gas shall be turned off at the supply cylinder. An outdoor cooking gas appliance may be stored indoors only if the cylinder is disconnected and removed from the outdoor cooking gas appliance.

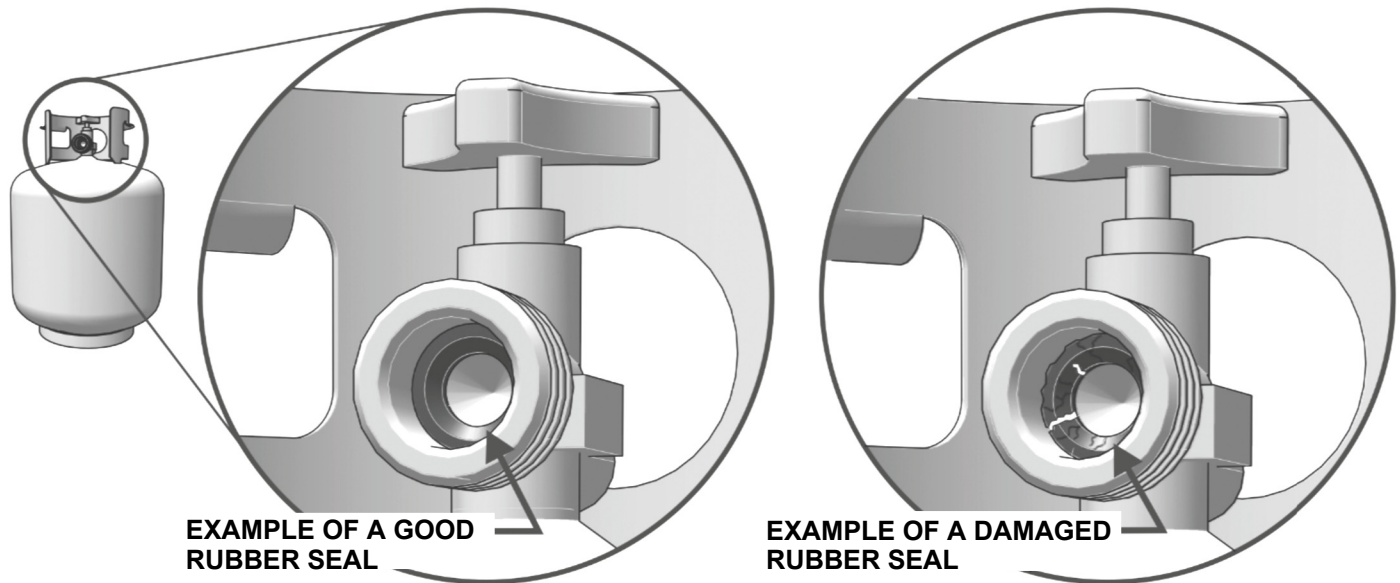
Cylinders shall be stored outdoors out of the reach of children and shall not be stored in a building, garage, or any other enclosed area.

The LP gas cylinder used shall include a collar to protect the cylinder valve.

- Do not store a spare LP gas cylinder under or near this appliance.
- Never fill the cylinder beyond 80% full.
- If the information above is not followed exactly, a fire causing death or serious injury could occur.

This outdoor cooking gas appliance is designed to use a **CGA 791** connection. Place a dust cap on the LP cylinder valve outlet whenever the cylinder is not in use. Only install the type of dust cap on the cylinder valve outlet that is provided with the cylinder valve. Other types of caps or plugs may result in leakage of propane.

The LP gas cylinder face elastomeric face seal element (O-Ring) on these devices could, over time, show marked and visible damage or deterioration that might cause a leak even with the connection tightened. A visual inspection for the seal must be carried out every time a LP gas cylinder is replaced or refilled; any LP gas cylinder showing signs of damage or deterioration as those illustrated below, including visible cracks and pitting, must be returned unused to the LP gas cylinder seller.



CART-MOUNTED LP GAS CONNECTION TO AN LP FIXED FUEL SYSTEMS:

An LP Fixed Fuel System is one with a large central LP tank that feeds the entire household. Those systems are normally equipped with a high pressure regulator by the large LP tank and low pressure regulators close to the home.

For this type of installation:

- **DO NOT** use the LP small tank regulator supplied with the unit (such as the one shown on page 10 with a **QCC1** type connection).

- Connect the gas line for this type of installation directly to the unit's convertible gas pressure regulator (see page 14) through the back panel of the cart assembly in similar fashion as a typical NG gas connection (see page 19) using a flexible hose connected to a required gas shut-off valve.
- **NOTE:** The convertible gas pressure regulator must be set for LP gas. (The factory pre-sets the regulator in LP units).

All rigid pipes, semi-flexible tubing and connectors must comply with the *Standard for Connectors for Outdoor Gas Appliances and Manufactured Homes, ANSI Z21.75* and **CAS 6.27**, and suitable for outside installation. The maximum length of the connection must be 6 Ft. (1.82 m)

INFORMATION FOR LP FIXED FUEL SYSTEMS TESTING:

- The outdoor cooking gas appliance and its individual shut-off valve must be **disconnected** from the gas supply piping system during any pressure testing of that system at test pressures in excess of 1/2 psi (3.5 kPa)
- The outdoor cooking gas appliance must be **isolated** from the gas supply piping system by closing its individual manual shut-off valve during any pressure testing of the gas supply piping system at test pressures equal to or less than 1/2 psi (3.5 kPa).

BUILT-IN OUTDOOR COOKING GAS APPLIANCE MODELS:

- ***THIS OUTDOOR COOKING GAS APPLIANCE MUST NOT BE USED UNDER OVERHEAD UNPROTECTED COMBUSTIBLE CONSTRUCTION.***
- ***IF INSTALLED UNDER OVERHEAD COMBUSTIBLE CONSTRUCTION, THE APPLIANCE MUST BE INSTALLED IN CONJUNCTION WITH A SUITABLE OUTDOOR APPROVED VENT HOOD ONLY. THE VENT HOOD MUST BE PLACED IN OPERATION DURING OPERATION OF THE APPLIANCE.***

The built-in enclosure should be properly constructed with a typical average industry height of 36", a width of no less than 6" wider than the appliance overall width and a minimum depth as specified in the specification sheet of this outdoor cooking gas appliance.

Please consult local building codes and requirements. Specification sheets are available with your retailer, or contact Alfresco™ Grills or go to www.alfrescogrills.com

The built-in enclosure should be built of the appropriate non-combustible materials such as granite, stone brick, cement, etc and metal framing components whenever possible.

The outdoor cooking appliance should never be operated while on top of combustible countertops such as, Formica®, Corian®, Azure®, Quartz Composite materials including wood, laminates, wood composites nor countertops with combustible materials, binders or components including finishes such as oils, lacquer, varnish, shellac, paints or other combustible finishes.

This appliance is only for installation in a built-in enclosure of non-combustible materials. If the appliance is to be installed in a built-in enclosure of combustible materials, it **MUST** be installed with an insulating jacket for zero clearance installation as specified in the serial plate of this appliance shown on page 3 of this care and use manual.

OVERHEAD CONSTRUCTION PROTECTION AND EXHAUST REMOVAL:

IMPORTANT: Never install the grill under overhead unprotected combustible construction.

If installed under any type of combustible construction, the use of an approved outdoor exhaust hood is **required**. The exhaust hood provides the required protection for overhead unprotected combustible construction.

ADDITIONALLY, THE REQUIRED EXHAUST HOOD SHOULD BE:

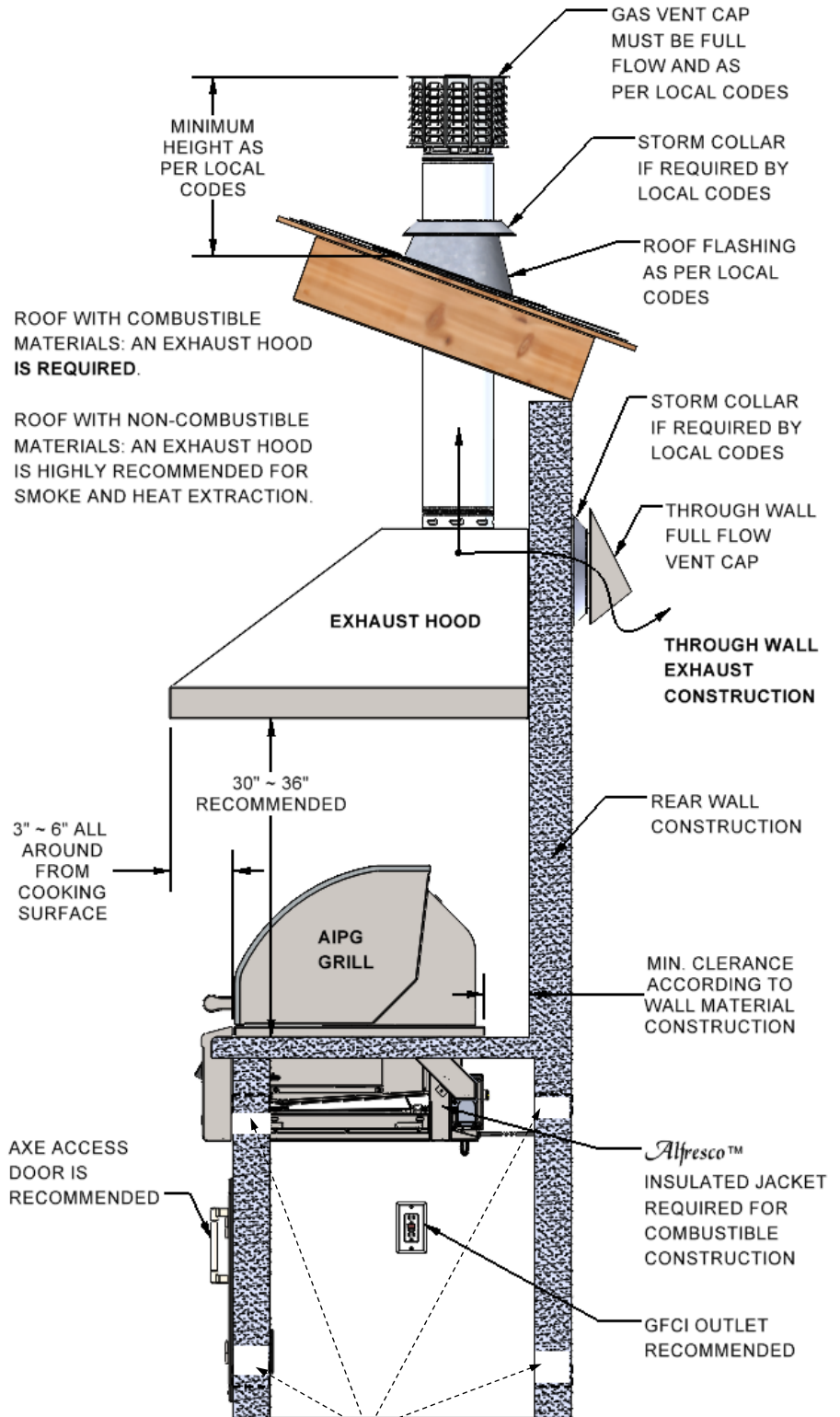
- Approved Outdoor Hood.
- Installed according to the manufacture's instructions.
- Have it's own GFCI protected branch circuit power supply.
- Have a minimum airflow of **1200 CFM's** for baffled filtered hoods or **900 CFM's** for non-baffled filtered hoods.
- Installed at a least 30" over the cooking surface.
- Hood intake area should be at least 3" ~ 6" bigger (side to side and front to back) than the grill's cooking surface area.

NOTE:

Heavy and fast rising smoke is a challenging situation for any exhaust hood or vent system.

Constant wind or wind drafts will also affect the ability of the exhaust hood to catch smoke during operation.

If the BBQ grill is located in a consistently windy area such as near the ocean side, large lakes or on a hillside property, a wind-break type of construction may be required for proper operation.



TOP AND BOTTOM VENTILATION AS PER ANSI Z21.58 CLAUSE 4.6

VENTILATION ACCORDING TO LP ENCLOSURES SHOWN ON PAGE (20) ALSO REQUIRED FOR NG SYSTEMS.

BUILT-IN APPLIANCES GAS CONNECTION - NATURAL GAS (NG)

NEVER CONNECT THE GRILL TO AN UNREGULATED GAS SUPPLY.

Before proceeding, ensure the unit is fitted for natural gas (regulator settings as well as orifices). Connecting to an improper gas type will result in poor performance and increased risk of damage or injury. Installation of this cooking appliance must be made in accordance with local codes. In the absence of local codes, this unit should be installed in accordance with the *National Fuel Gas Code No. Z223.1/NFPA 54, Natural Gas and Propane Installation code CSA B149-1, or Propane Storage and Handling Code B149.2.*

NATURAL GAS CONNECTION:

Ensure that the service pipe supplying the Grill is fitted with a shut off valve conveniently positioned and easily accessible as an emergency gas shutoff.

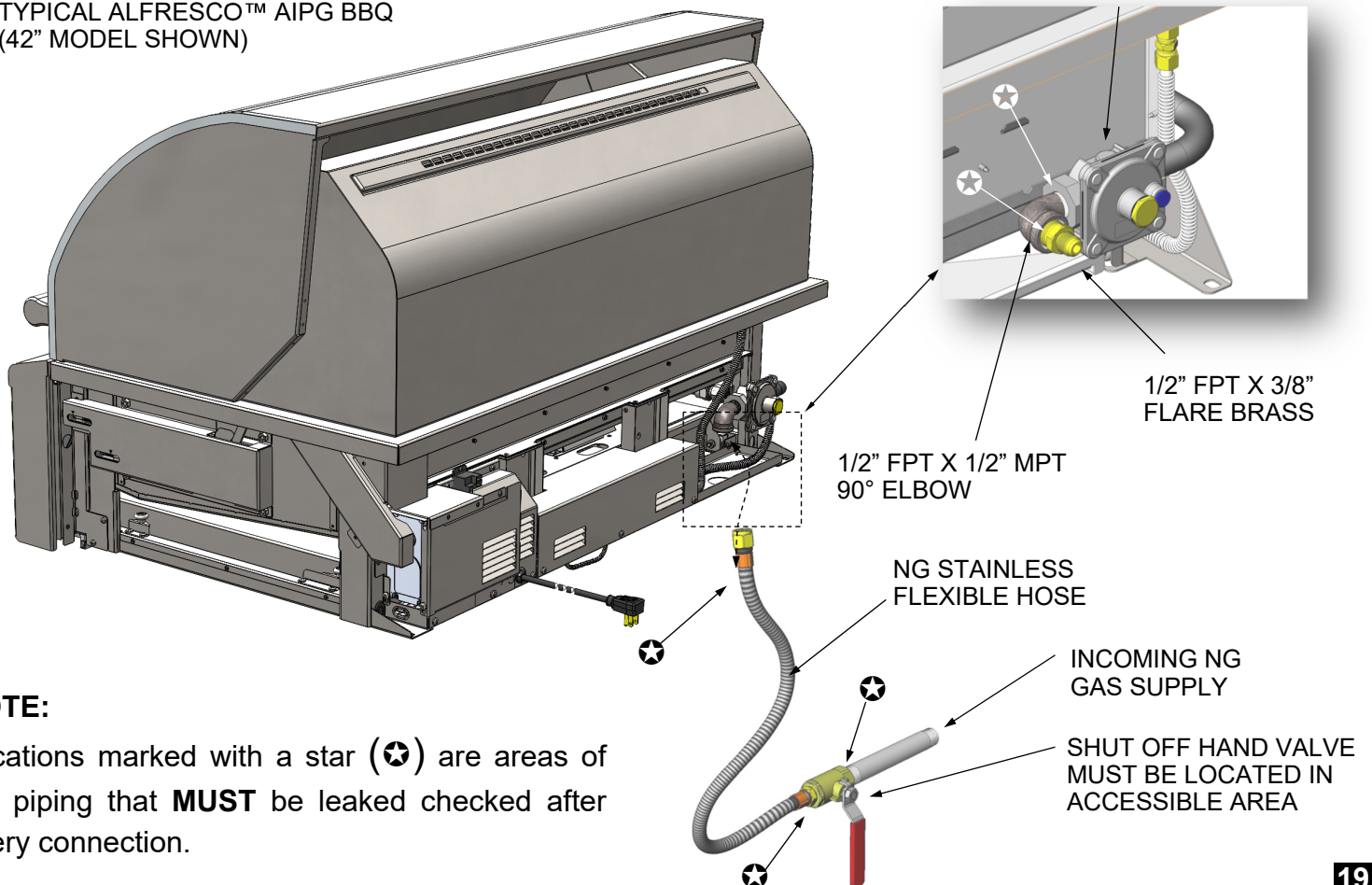
Your Alfresco™ Grill for use with natural gas comes equipped with its own regulator which **MUST NOT** be removed. If this regulator needs to be replaced use only the type specified by Alfresco™ Grill for this appliance.

To connect the regulator and flex hose assembly follow the next steps:

1. Locate the regulator and gas connection point in the rear right side of your BBQ unit
2. Attach a 1/2" FPT x 1/2" MPT (male-to-female) elbow to the regulator (see diagram below).
3. Attach a 1/2" MPT x 1/2" ODF (compression flare fitting) connected to the elbow.
4. Connect to gas supply using a 1/2" Ø minimum flexible (semi-rigid) stainless steel gas hose.

The hose as well as the connectors must comply with the *Standard for Connectors for Outdoor Gas Appliances and Manufactured Homes, ANSI Z21.75 and CAS 6.27.*

TYPICAL ALFRESCO™ AIPG BBQ
(42" MODEL SHOWN)



NOTE:

Locations marked with a star (☆) are areas of the piping that **MUST** be leaked checked after every connection.

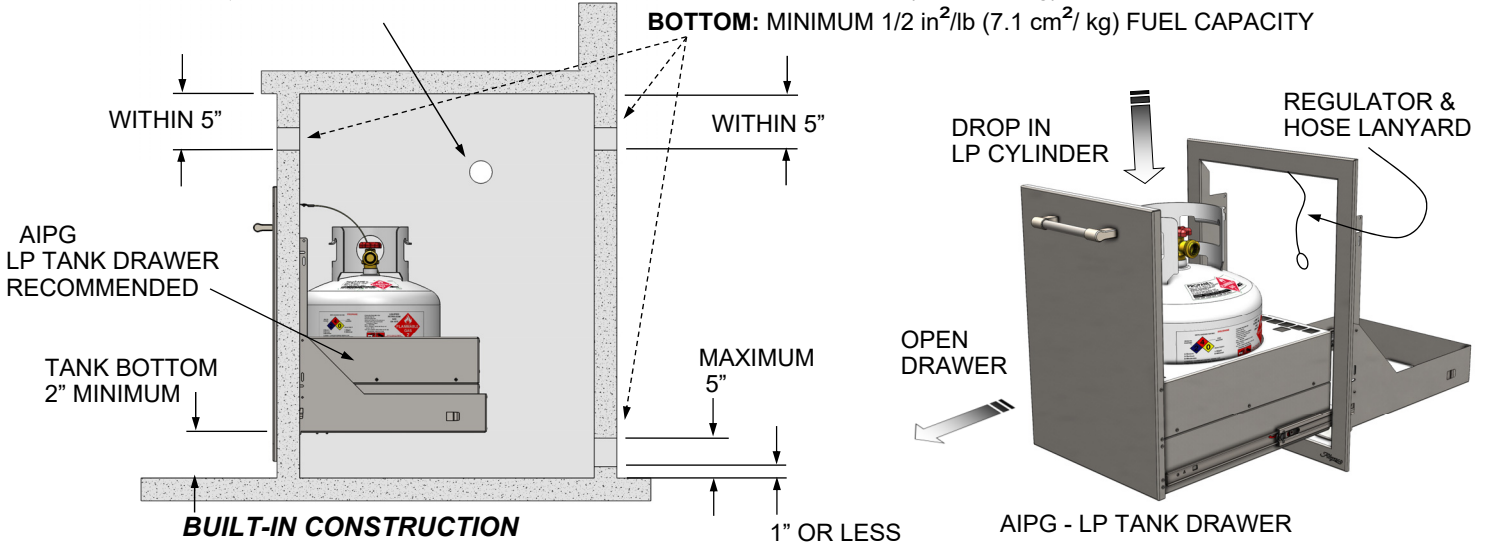
BUILT-IN APPLIANCES GAS CONNECTION - LP CYLINDER ENCLOSURES

When the outdoor cooking gas appliance is installed in a built in enclosure that requires the use of LP by means of a gas cylinder, the use of the gas appliance tank drawer AIPG is highly recommended. Refer to the AIPG specification sheet for installation.

The construction requirements for an LP-cylinder enclosure, should be such that the resultant construction complies with the requirements of **ANSI Z21.58 - 2022 Clause 4.6**

CAUTION THE ABOVE CODE IS THE MINIMUM. MORE VENTILATION IS RECOMMENDED AS IS ALWAYS SAFER.

BUILT-IN CONNECTION PASS THROUGH SEALED AS PER REQUIREMENTS ABOVE.



TANK RETENTION POINTS:

When the AIPG cylinder gas drawer is installed in the built-in construction, the typical standard 20 Lbs. (5 Gallons) LP cylinder rests on the center of the tank tray and it is retained in place (preventing the tank from tipping sideways) by the design of the drawer itself. The cylinder can rotate freely but can't fall out of the drawer tray or tip over.

LP REGULATOR HOSE ASSEMBLY RETENTION:

In addition to retaining the LP tank, it is also required to properly support the LP Regulator / Hose Assembly and prevent the unit from falling to the ground during LP tank exchanges as per ANSI Z21.58 regulations.

For this purpose, when installing the included LP Regulator and Hose Assembly, fasten the assembly to the AIPG frame with the included Regulator & Hose lanyard.

ENCLOSURES FOR BUILT-IN GRILLS WITH REMOTE LP GAS SUPPLY SYSTEM

An enclosure for built in grills with remote LP gas supply systems shall be ventilated by openings at both the upper and lower levels of the enclosure. Ventilation shall be accomplished by one of the following:

- One side of the enclosure, other than the front, shall be completely open, or
- For an enclosure having four sides, a top, and a bottom:
 - At least one ventilation opening shall be provided on the exposed exterior side of the enclosure located within 5 in (127mm) of the top of the enclosure and unobstructed. The opening's shall have a total free area of not less than 3 in² per 1000 Btu/h (293 W) of the largest single burner capacity.
 - At least one ventilation opening shall be provided on the exposed, exterior side of the enclosure 1 in (25.4 mm) or less from the floor level and shall have a total free area of not less than 3 in² per 1000 Btu/h (293 W) of the largest single burner capacity. The upper edge shall be no more than 5 in (127 mm) above the floor level.

- Every opening shall have a minimum dimension so as to permit the entrance of a 3/16 in (4.8 mm) rod.
- Ventilation openings shall not communicate directly with other compartments of the enclosure and,
- Ventilation openings shall not be located in front of the appliance above floor level.

BUILT-IN APPLIANCE LP GAS CONNECTION TO A REMOTE LP GAS SUPPLY SYSTEMS:

A remote LP Fuel System is one with a large central LP tank that feeds the entire household. Those systems are normally equipped with a high pressure regulator by the large LP tank and low pressure regulators close to the home.

For this type of installation:

- **DO NOT** use the LP small tank regulator supplied with the unit (such as the one shown on page 10 with a **QCC1** type connection).
- Connect the gas line for this type of installation directly to the unit's convertible gas pressure regulator in similar fashion as a typical NG gas connection (See page 19) using a flexible hose connected to a required gas shut-off valve.
- **NOTE:** The convertible gas pressure regulator must be set for LP gas. (The factory pre-sets the regulator in LP units).
- The connectors used shall be the those provided with this appliance or those specified on page 6 of this manual. Such rigid pipes, semi-flexible tubing and connectors must comply with the *Standard for Connectors for Outdoor Gas Appliances and Manufactured Homes*, **ANSI Z21.75** and **CAS 6.27**, and suitable for outside installation. The maximum length of the connection must be 6 Ft. (1.82 m)
- The connector and primary shut-off valve should be accessible through door opening in the built-in enclosure.
- All the rigid pipes, flexible tubing or gas connectors should be as short as possible in order to be self supporting, otherwise they must be supported by mechanical means (ie: enclosure framing plus additional pipe support straps or clamps) in order to minimize vibration.
- All the rigid pipes, flexible tubing or gas connectors must be protected as they pass through openings in the compartment of the built-in enclosure according to ANSI Z21.58 2022 Clause 4.6

For all other types of rigid pipe, semi-rigid tubing, and/or connectors available to connect an appliance to a fixed fuel piping system that can be obtained at plumbing stores, supply warehouses or home centers, the connection must be made with by the use of a rigid pipe, semi-rigid tubing, and/or connectors that comply with **ANSI Z21.75** and **CSA 6.27** standards.

BUILT-IN APPLIANCE INFORMATION FOR LP FIXED FUEL SYSTEMS TESTING:

When the Outdoor Cooking Gas Appliance is meant to be used with other than self contained LP gas supply systems the following information should be taken into consideration during testing:

- The outdoor cooking gas appliance and its individual shut-off valve must be **disconnected** from the gas supply piping system during any pressure testing of that system at test pressures in excess of 1/2 psi (3.5 kPa)
- The outdoor cooking gas appliance must be **isolated** from the gas supply piping system by closing its individual manual shut-off valve during any pressure testing of the gas supply piping system at test pressures equal to or less than 1/2 psi (3.5 kPa).

ELECTRICAL CONNECTIONS - LINE VOLTAGE

This Outdoor Cooking Gas Appliance has been tested in accordance with: **ANSI Z21.58-2022** and **CSA 1.6-2022**, *The Standard for Outdoor Cooking Gas Appliances*.

Please follow this instructions for your safety:

- a) To protect against electric shock, do not immerse cord or plugs in water or other liquid.
- b) Unplug from the outlet when not in use and before cleaning. Allow to cool before putting on or taking off parts.
- c) Do not operate any outdoor cooking gas appliance with a damaged cord or plug, or after the appliance malfunctions or has been damaged in any manner. Contact Alfresco™ Grills for repair.
- d) Do not let the cord hang over the edge of a table or touch hot surfaces.
- e) Do not use an outdoor cooking gas appliance for purposes other than intended.
- f) When connecting, first connect plug to the outdoor cooking gas appliance then plug appliance into the outlet.
- g) When connecting, first connect plug to the outdoor cooking gas appliance then plug appliance into the outlet.
- h) Use only a Ground Fault Interrupter (GFI) protected circuit with this outdoor cooking gas appliance.
- i) Never remove the grounding plug or use with an adapter of two prongs.
- j) Use only extension cords with a three-prong grounding plug, rated for the power of the equipment, and approved for outdoor use with a W-A marking

WARNINGS:

- If the information in this manual is not followed exactly, a fire or explosion may result causing property damage, personal injury or death.
- Do not try lighting this appliance without reading the **LIGHTING INSTRUCTIONS** section of this manual. For outdoor use only.
- This cooking appliance is not intended to be installed in or on recreational vehicles and / or boats.

BEFORE USING THE GRILL:

- Ensure that the grill has been leak tested. (see page 13 and 21)
- Remove any packing material.
- Read and understand the instructions in this manual.
- Electric power supply must be plugged-in at all times for barbecue operation; except during any electrical maintenance.

NOTES CONCERNING GFCI USE AND LOCATION:

1. Do not attempt to circumvent using a GFCI receptacle, it is for your safety.
2. Ensure that the GFCI receptacle is located in an easily accessed location.
3. Follow the manufacturer's instructions for installation and testing (must comply with local and national codes).



WARNING

ELECTRICAL PARTS AND COMPONENTS
DISCONNECT ALL POWER SUPPLIES AND BATTERIES BEFORE SERVICING.



AVERTISSEMENT

PIÈCES ÉLECTRIQUES ET COMPOSANTS.
DÉBRANCHER TOUS LES BLOCS D'ALIMENTATION ET LES PILES AVANT DE LES RÉPARER.

WARNING

FLAMMABLE GAS

DISCONNECT ALL PROPANE OR NATURAL GAS SUPPLIES TO THIS UNIT BEFORE SERVICING.

WARNING

FOR OUTDOOR USE ONLY

NOT TO BE INSTALLED IN OR ON RECREATIONAL VEHICLES AND / OR BOATS.

WARNING

NEVER USE A DENTED OR RUSTED LIQUID PROPANE TANK. SHUT OFF TANK WHEN NOT IN USE.

WARNING

DO NOT ATTEMPT TO LIGHT THE GRILL IF THE ODOR OF GAS IS PRESENT.
CALL FOR SERVICE.

CAUTION

CYLINDERS MUST BE STORED OUTDOORS IN A WELL VENTILATED AREA OUT OF THE REACH OF CHILDREN.

DISCONNECTED LP CYLINDERS MUST HAVE THREADED VALVE PLUGS TIGHTLY INSTALLED, AND MUST NOT BE STORED IN A BUILDING, GARAGE OR ANY OTHER ENCLOSED AREA. THE GAS MUST BE TURNED OFF AT THE SUPPLY CYLINDER WHEN THE UNIT IS NOT IN USE. IF THE APPLIANCE IS STORED INDOORS, THE CYLINDER MUST BE DISCONNECTED AND REMOVED FROM THE APPLIANCE.

MISE EN GARDE

LE CYLINDRE DOIT ÊTRE STOCKÉ À L'EXTÉRIEUR DANS UN ENDROIT BIEN VENTILÉ ET HORS DE LA PORTÉE DES ENFANTS.

DÉBRANCHER LES BOUTEILLES DE LP DOIVENT AVOIR DES BOUCHONS DE VALEUR VISSÉS HERMÉTIQUEMENT INSTALLÉS, ET NE DOIVENT PAS ÊTRE STOCKÉS DANS UN BÂTIMENT, GARAGE OU TOUT AUTRE ESPACE FERMÉ. LE GAZ DOIT ÊTRE ARRÊTÉ AU NIVEAU DU CYLINDRE D'ALIMENTATION LORSQUE L'APPAREIL N'EST PAS UTILISÉ. SI L'APPAREIL EST ENTREPOSÉ À L'INTÉRIEUR, LE CYLINDRE DOIT ÊTRE DÉBRANCHÉ ET RETIRÉ DE L'APPAREIL.

AVERTISSEMENT

GAZ INFLAMMABLE

DÉBRANCHER TOUS LES GAZ PROPANE OU GAZ NATUREL DE CET APPAREIL AVANT DE PROCÉDER À L'ENTRETIEN.

AVERTISSEMENT

POUR UTILISATION À L'EXTÉRIEUR

NE PAS ÊTRE INSTALLÉ DANS OU SUR DES VÉHICULES RÉCRÉATIFS ET / OU DES BATEAUX.

AVERTISSEMENT

N'UTILISEZ JAMAIS DE RÉSERVOIR DE PROPANE LIQUIDE BOSSELÉ OU ROUILLÉ. ÉTEINDRE LE RÉSERVOIR LORSQU'IL N'EST PAS UTILISÉ.

AVERTISSEMENT

N'ESSAYEZ PAS D'ALLUMER LE GRIL SI UNE ODEUR DE GAZ EST PRÉSENTE.
APPELEZ LE SERVICE D'ENTRETIEN.

WARNING

YOUR ALFRESCO™ GRILL'S PRESSURE REGULATOR HAS A **MAXIMUM INPUT PRESSURE OF 14" WC.** (OR APPROX. .5 PSI) , AND A **SAFETY LIMIT OF 69" WC.** (2.5 PSI).

AVERTISSEMENT

VOTRE RÉGULATEUR DE PRESSION ALFRESCO^{MC} GRILLADES A **UNE PRESSION D'ENTRÉE MAXIMALE DE 14" WC** (OU ENVIRON 0,5 PSI), ET **UNE LIMITE DE SÉCURITÉ DE 69" WC (2,5 PSI).**

REGULATOR NOTICE

EXPOSURE TO PRESSURES ABOVE THE SAFETY LIMIT OF 69" WC. WILL PERMANENTLY DAMAGE THE GAS REGULATOR REQUIRING A REPLACEMENT.

OVER PRESSURE DAMAGE IS NOT COVERED BY YOUR ALFRESCO™ WARRANTY

SAFETY PRACTICES TO AVOID PERSONAL INJURY

READ THE CARE AND USE MANUAL CAREFULLY AND COMPLETELY BEFORE USING YOUR GRILL TO REDUCE THE RISK OF FIRE, BURN HAZARD OR OTHER INJURY. KEEP THIS QUICK GUIDE FOR FUTURE REFERENCE.

When properly cared for, your Alfresco™ Grill will give safe, reliable service for many years. However, extreme care must be used since the grill produces intense heat, which can increase accident potential. When using this appliance, basic safety practices must be followed, including but not limited to the following:

- Begin by ensuring proper assembly and removing all packing material from the outside and inside of the grill.
- Do not repair or replace any part of the grill unless specifically recommended in this manual.
- All other service should be referred to and performed by a qualified technician.
- For personal safety, wear proper apparel while barbecuing.
- Loose fitting garments or sleeves should never be worn while using this appliance.
- Some synthetic fabrics are highly flammable and should not be worn while cooking.
- Never let clothing, pot holders or other flammable materials come in contact with or too close to any grate, burner or hot surface until it has cooled down sufficiently. Fabrics may ignite and result in personal injury.
- Use only dry potholders: moist or damp potholders on hot surfaces may cause personal burns from steam. Do not use a towel or bulky cloth in place of potholders. Do not let potholders touch hot portions of the grill rack.
- Only certain types of glass, heatproof glass ceramic, earthenware, or other glazed utensils are suitable for grill use. These types of materials may break with sudden temperature changes. Use only on low or medium heat settings and according to their manufacturer's directions.
- Grease is flammable. Let hot grease cool before attempting to handle it.
- Avoid letting grease deposits collect in the bottom of the grill and grease trays by cleaning them often or after every use. Never clean the grease or smoker trays while the grill is on or hot from recent use.
- Do not use aluminum foil to line the grill racks, firebox nor to line the grease or smoker trays. This can severely upset combustion airflow or trap excessive heat in the control area. The result of this can be melted knobs, igniters and components. It can also increase the chance of personal injury.
- Never grill without the grease and smoker trays in. Without the grease trays, hot grease can leak downward creating a fire or explosion hazard.
- Children should not be left alone or unattended in an area where the grill is being used. Never allow them to sit, stand or play on or around the grill. Do not store items of interest to children around or below the grill or in the cart. Never allow children to crawl inside of the cart.
- Do not heat unopened food containers that may cause the container to build-up pressure and burst.
- Protect your hand when opening a hot grill lid. Never lean over an open hot grill.
- When lighting a burner, always pay close attention to what you are doing. Be certain you are depressing and turning the proper knob for the burner you intend to use.
- When using the grill: do not touch with your bare hands the grill rack, burners, burners glass, smoker trays, grease trays, hood or immediate surrounding area as these areas become extremely hot and could cause burns.

- For proper lighting and performance of the burners keep the ports clean. It is necessary to clean them periodically for Optimum performance. The burners will only operate in one position and must be mounted correctly for safe operation.
- Clean the grill with caution. Avoid steam burns; do not use a wet sponge or cloth to clean the grill while it is hot. Some cleaners produce noxious fumes or can ignite when applied to a hot surface.
- **INSECT WARNING:** Spiders and insects can nest in the burners of this and any other grills, and cause the gas to flow from the front of the burner. This is a very dangerous condition, which can cause a fire to occur behind the valve panel, thereby damaging the grill and making it unsafe to operate. Inspect the grill at least twice a year.
- Be sure all grill controls are turned off and the grill is cool before using any type of aerosol cleaner on or around the grill. The chemical that produces the spraying action could, in the presence of heat, ignite or cause metal parts to corrode.
- Do not use this appliance under overhead combustible surfaces. Use only in well ventilated areas. Do not use in buildings, garages, sheds, breezeways or any enclosed areas.
- Keep the area surrounding the grill free from combustible materials, trash, or combustible fluids and vapors such as gasoline or charcoal lighter fluid. Do not obstruct the flow of combustion gases and ventilation airways.
- On Cart mounted units, keep the back of the cart free and clear from debris.
- If the unit is stored indoors ensure that it is cool. If propane is used, the cylinder must be unhooked and the propane cylinder stored outside in a well-ventilated area, out of reach of children.
- Never use the grill in windy conditions. If located in a consistently windy area, oceanfront, mountaintop, etc... a windbreak will be required. Always adhere to the specified clearances.
- Keep any electrical supply cord, away from the heated areas of the grill.

WARNING

IMPORTANT ELECTRICAL INSTRUCTIONS:

THE GRILL'S ROTISSERIE MOTOR AND LIGHTS ARE WIRED TO A SINGLE THREE-PRONG (GROUNDING) PLUG FOR YOUR PROTECTION AGAINST SHOCK HAZARD. THE GRILL SHOULD BE PLUGGED DIRECTLY INTO A PROPERLY GROUNDED GFCI THREE-PRONG RECEPTACLE.

AVERTISSEMENT

INSTRUCTIONS ÉLECTRIQUES IMPORTANTES:

LE MOTEUR ROTISSERIE DE GRILL ET LES LUMIÈRES SONT CÂBLÉES À UNE FICHE UNIQUE À TROIS PRONG POUR TU PROTECTION CONTRE LE DÉCHARGEMENT DES CHOCS. LE GRILLE DEVRAIT ÊTRE PLUGÉ DIRECTEMENT DANS UN RECEPTACLE GFCI TRES PRONG CORRECTEMENT TERRESTRE.

NE PAS COUPER OU RETIRER LE TERRAIN PRONG FROTH CETTE FICHE. GARDEZ LE CORDON ÉLEVÉ À PARTIR DE SURFACES DE GRILLE CHAUFFÉES. RETIRER LE MOTEUR QUAND IL N'EST PAS UTILISÉ

PREHEATING THE GRILL:

H-BURNERS:

Preheating the grill is important for best performance. To preheat the grill when cooking with the H-burners, close the hood after lighting the burners as described above. Set the grill control knobs on “MAX” for at least 10 minutes (more, if ambient conditions require it).

IR-BURNERS:

Preheating the IR burners is important to protect them from food drippings. After lighting the IR burners allow it to preheat on maximum setting for 4 ~ 5 minutes before beginning to grill foods.

In a grill equipped with a SEAR-ZONE™ IR Burner, light and preheat the H-Burners first, then light and preheat the SEAR-ZONE™ IR Burner.

The IR Burner can be used with the hood open or closed for maximum heat. Additionally, the AIPG SEAR-ZONE™ IR burner is capable of variable heat output, although it is recommended to use it at maximum setting to eliminate and vaporize food drippings that might otherwise accumulate on top. (See page 28)

ROTISSERIE BURNER:

Light the rotisserie burner as described in the lighting instructions. Once lit, the rotisserie burner will reach cooking temperatures in about 1 minute.

NOTE: Alfresco™ Grills are available with both H-burners and IR burners. The following instructions apply only to the H-burners. IR burners do not require adjustment and need only be checked visually for proper performance. On high, an IR burner should glow red evenly over its entire surface.

H-BURNER AIR ADJUSTMENT:

Each grill burner is tested and adjusted at the factory prior to shipment; however, variations in the local gas supply, elevation and other factors might make it necessary to adjust the burners. The flames of the burners should be visually checked and compared with figures on next page. If any of these conditions exist, check if dirt, debris, spider webs, etc., are blocking the air shutter or burner ports. Proceed with air shutter adjustment.

AIR SHUTTER ADJUSTMENT:

A sheet metal cap at the inlet of the burner called the “AIR SHUTTER” regulates the amount of air that enters into the burner for combustion.

The air shutter is locked in place by a screw, which must be loosened prior to lighting the burner for adjustment. The air shutter adjustment screws are accessible with a screwdriver by removing the burner. Loosen the screw of the air shutter. Reinstall the burner. Make certain that the burners are sitting properly on the orifices taking care not to move or damage the igniter electrode.

Light the burners and adjust according to the following directions:

- Turn the valve on “HI”, light the burner and allow it to “WARM UP” for 10 minutes.
- If the flame is yellow, indicating insufficient air, turn the air shutter counter-clockwise to allow more air to the burner. *Caution, see note next page.
- If the flame is noisy and tends to lift away from the burner, indicating too much air, turn the air shutter clockwise to reduce the amount of air to the burner.
- Retighten the locking screw of the air shutter cap.

***NOTE:** Be careful, as the burner may be or will become very hot after lighting it.

WARNING

NEVER ADJUST THE BURNER SO LOW THAT IT MAY GO OUT DURING USE. DO NOT OPERATE THE GRILL WITH THE LOW HEAT SCREW REMOVED.

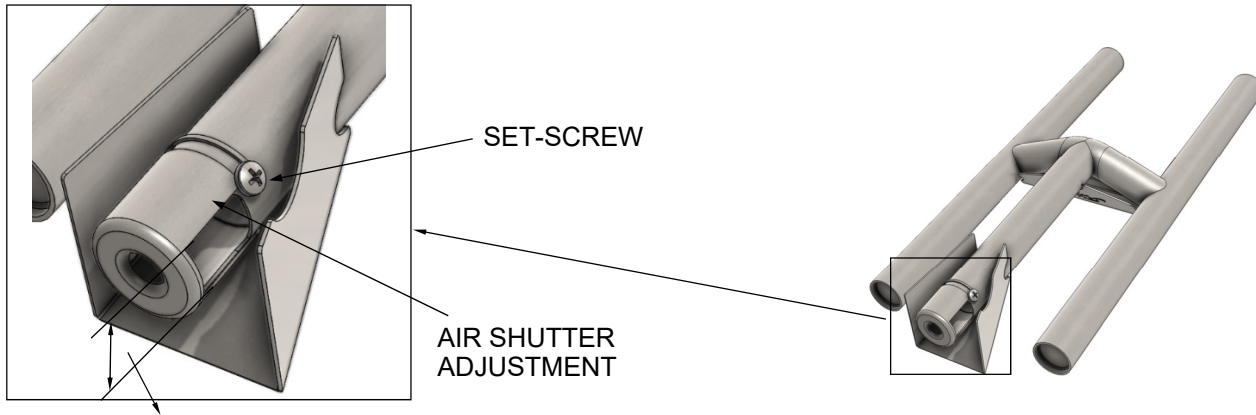
GAS CAN ESCAPE AND CAUSE A POTENTIALLY HAZARDOUS CONDITION.

AVERTISSEMENT

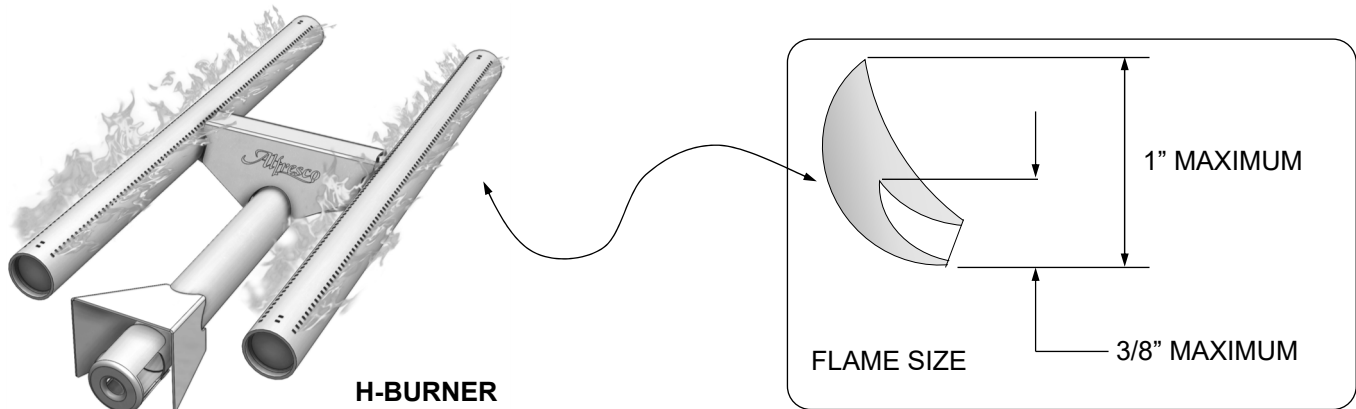
NE JAMAIS AJUSTER LE BRÛLEUR SI BAS QU'IL PEUT S'ÉTEINDRE PENDANT L'UTILISATION. N'UTILISEZ PAS LE GRIL AVEC LA VIS À CHALEUR BASSE RETIRÉE.

LE GAZ PEUT S'ÉCHAPPER ET PROVOQUER UNE CONDITION POTENTIELLEMENT DANGEREUSE.

Flames should be blue and stable with no yellow tips, excessive noise or lifting.



AIR SHUTTER APPERTURE IS FACTORY SET TO APPROXIMATELY 1/2" FOR LP & 5/8" FOR NG - MINOR ADJUSTMENTS MAY BE NECESSARY DUE TO FACTORS SUCH AS HIGH ALTITUDE LOCATIONS.



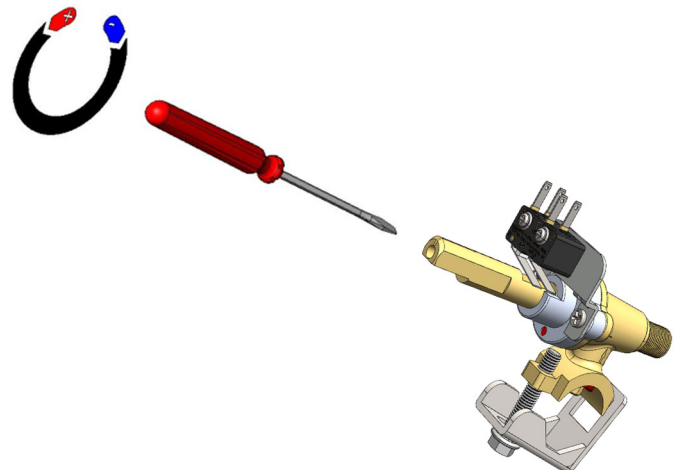
LOW HEAT SETTING ADJUSTMENT:

NOTE:

THE LOW HEAT SETTING ON YOUR GRILL IS PRESET AT THE FACTORY. ADJUST ONLY IF ALTITUDE OR ENVIRONMENTAL FACTORS ARE CAUSING POOR, LOW HEAT, PERFORMANCE.

ADJUSTMENT STEPS:

1. Follow lighting instructions by setting the control knob on "HI" and allow the burner to preheat for 10 minutes.
2. Turn the control knob to "LOW" and wait for the burner temperature to drop and stabilize.
3. **Attempting adjustment at any setting other than LOW can create a dangerous condition.**
4. Remove knob by pulling straight away from control panel.
5. Insert a small blade screwdriver into the valve stem to begin the adjustment.
6. Turn counter-clockwise to INCREASE the low heat flame while using pliers to hold the stem securely.
7. Adjust the flames so the burner is fully lit around the perimeter when the knob is in the LOW position. Once proper adjustment is reached, reattach the knob by pushing onto stem.



OPERATING THE GRILL:

H-BURNERS:

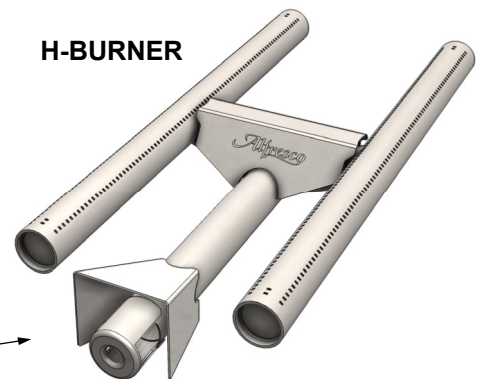
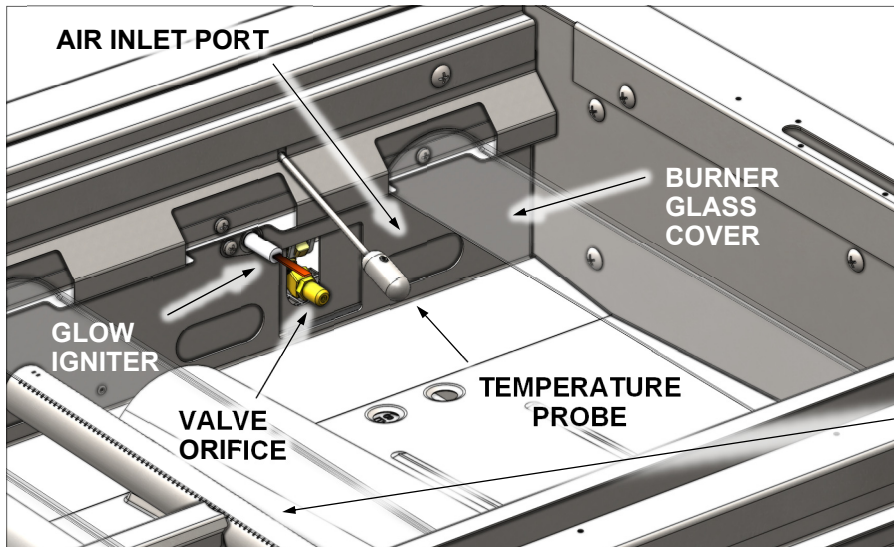
The grill burners encompass the entire cooking area and are side ported to minimize blockage from falling grease and debris. Make sure the burner glass cover is installed properly before lighting the burner. Each grill burner has its own igniter.

The burners are locked in the proper position within the barbecue unit by the inlet port where the valve orifice stem is located, the shutter adjustment screw notch and the rear mounting bracket at the back of the grill cavity.

USING THE GRILL:

Grilling requires high heat for searing and proper browning. Most foods are cooked at the “HI” heat setting for the entire cooking time. However, when grilling large pieces of meat or poultry, it may be necessary to turn the heat to a lower setting after the initial browning. This method will cook the food through without burning the outside. Foods cooked for a long time or basted with a sugary marinade may need a lower heat setting near the end of the cooking time.

NOTE: The hot grill sears the food, sealing in the juices. The longer the preheat period, the faster the meat browns and the darker the sear marks. Place the food on the grill and cook to the desired brown level. Adjust heat setting, if necessary. The temperature control button may be set to any position between “HI” and “LOW”. **DO NOT** leave the grill unattended while cooking.

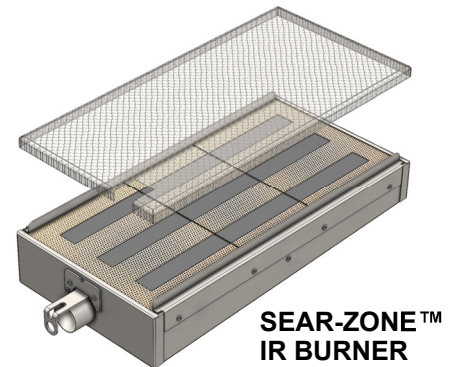


SEAR-ZONE™ IR BURNERS:

An IR grill works by producing intense heat which quickly sears the meat. Searing locks in flavor and juices while allowing the outer surface to absorb smoke and food aromas that are produced as grease and drippings are vaporized by the burner on the top protective mesh. The result is a crisp, flavorful outside with a tender, juicy inside, just the result you want with most grilled foods.

Sear-Zone™ IR Burners are located in their proper position by the inlet port and the rear bracket support in the firebox area.

The IR Burner can be used with the hood open or in the closed position for maximum heat. Additionally, the AIPG SEAR-ZONE™ IR burner is capable of a variable heat output from the control knob in the front panel of the AIPG unit, although it is recommended to use it at maximum settings to eliminate and vaporize off food drippings that might otherwise accumulate on top of the protective mesh. Maximum heat settings helps to maintain a clean burner surface.



USING THE GRILL:

Grilling requires high heat for searing and proper browning. The intense infrared heat produced by your Alfresco™ Grill meets these requirements perfectly. Meat is cooked evenly throughout, while juices, grease and food particles are vaporized upon contact with the burner, giving added flavor to your food.

NOTE: The hot grill sears the food, sealing in the juices. Proper preheating browns the meat and produces darker sear marks. Place the food on the grill and sear both sides as recommended on the “Infrared Grilling Tips” section on page 30. **DO NOT** leave the grill unattended while cooking.

ROTISSERIE BURNERS:

Your Alfresco™ Grill is capable of performing back burner rotisserie cooking. The location of the rear burner allows the placement of the rotisserie basting pan (included) beneath the food to collect juices and drippings for basting and gravy. To flavor the contents of the basting pan, you can add herbs, onion, garlic, or spices.

To assure that an IR burner is lit, very carefully place your hand 8-10 inches away from the burner surface. If you do not feel the heat of the burner, shut off on the temperature control button, wait five minutes, and attempt to relight.

ROTISSERIE MOTOR:

The rotisserie motor is capable of turning up to a 50 Lb. cut of meat or poultry, with a maximum diameter of 12”. The rotisserie motor is an integral part of the grill, mounted on the rear bottom of the unit. The motor drives a chain and sprocket system to a skewer coupler located your upper cooking area.

The rotisserie motor is electrically grounded by the grill electrical system and plug, therefore the grill must installed in accordance with local codes or, in the absence of local codes, with the National Electrical Code, ANSI/NFPA 70-1990.

SKEWER:

The skewer for the rotisserie is assembled into the skewer coupler (located right side of the grill) by placing the pointed end into the square opening of the coupler. The other end of the skewer (round shaft end) rests between the rotisserie bearing wheels opposite to the skewer coupler, on the left side of the grill.

To load the skewer, slide the meat holders with the prongs facing towards the center the skewer bar. Push the skewer through the center of the food, and then slide the second meat holder (prongs toward the food) onto the skewer. Center the product to be cooked on the skewer then push the meat holders firmly together. Tighten the thumb nuts of the meat holders with pliers. It may also be necessary to wrap the food with butcher’s string (never use nylon or plastic string) to secure any loose portions. Once the food is secure, insert the skewer into the coupler. Start the motor with the switch located on the right side of the control panel.

ROTISSERIE BASTING PAN:

Your Alfresco™ Grill includes a basting pan for use with the rotisserie. Place the pan onto the grill racks (This pan will catch drippings from the meat being cooked, preventing grease build-up on the Sear-Zone™ IR Burner.)

NOTE: Never use the basting pan when any of the grill burners are lit. Basting pan is for use with the rotisserie burner only.

NOTICE

AVOID WATER DAMAGE TO BURNER NEVER ALLOW WATER TO CONTACT THE IR BURNER AS DAMAGE TO THE CERAMIC PANEL WILL RESULT.

WATER DAMAGE IS NOT COVERED BY YOUR ALFRESCO WARRANTY

NOTICE

ALWAYS USE BASTING PAN WITH ROTISSERIE TO KEEP DRIPPINGS OFF BURNERS.

DO NOT USE WHILE GRILLING.

ROTISSERIE GENERAL COOKING INSTRUCTIONS:

As a general rule, rotisserie cooking will take 15 ~ 20 minutes per pound of meat. Keep the hood closed as much as possible to improve performance.

INFRARED GRILLING TIPS:

Even for an experienced chef, infrared cooking can, at first, present a bit of a challenge. By following these simple tips, you will soon be producing juicier, more flavorful foods than you have ever experienced before. As a general rule, foods will cook in less time than they would take on an ordinary grill. By turning food frequently (approximately every 2 minutes), excessive charring is simply avoided.

ALFRESCO RECOMMENDS THAT YOU TURN FOOD BEING GRILLED ON A SEAR ZONE™ IR-BURNER EVERY TWO MINUTES DURING THE COOKING PERIOD. NEVER ALLOW FOOD TO COOK MORE THAN 2 1/2 MINUTES WITHOUT TURNING.

SEARING IS THE KEY:

An infrared grill works by producing intense heat which quickly sears meats. Searing locks in flavor and juices while allowing the outer surface to absorb smoke and food aroma that is produced as grease and drippings are vaporized by the burner. The result is a crisp, flavorful outside with a tender, juicy inside. Just the result you want with most grilled foods.

HOW TO GRILL WITH IR:

Properly pre-heat the grill by following the lighting instructions on page 9 and 10. Place food on grill grids and turn every 2 to 2 1/2 minutes until food is cooked to desired taste. Do not let food cook more than 2 1/2 minutes without turning. Perfect cross sear marks can be made by rotating food 90° at each turn.

APPROXIMATE SEAR-ZONE™ COOKING TIMES:

| FOOD ITEM | APPROXIMATE COOKING TIME (MINUTES) ❖ | | |
|---------------------------|---|--------|------|
| | RARE | MEDIUM | WELL |
| HAMBURGER - 1/2" THICK | 4 | 5 | 6 |
| STEAK - 1" THICK" | 6 | 8 | 10 |
| CHICKEN BREAST (BONELESS) | 8 ~ 10 | | |
| CHICKEN BREAST (BONE-IN) | 20 ~ 24 | | |

❖ These are recommended times only. Due to the variations on the cuts of meats and personal taste, your cooking times may be different. Use your discretion when cooking with ALFRESCO™ Grill Sear-Zone™ IR-Burners.

WOOD CHIP SMOKER:

By using real wood chips in the smoker system of your Alfresco™ Grill, you can add extra flavor to all of your grilled foods. For good smoke performance, soak the wood chips for not less than 30 minutes, drain excess liquid and fill the smoker tray completely.

HOW TO SMOKE:

1. Fill the smoker tray with thoroughly soaked and drained wood chips.

Note: There are two trays located inside the grill drawer. (see page 6).

2. Light the smoker burner according to the instructions on page 10.

Replace the smoker tray into the grill drawer, close the hood and set the smoker burner to ON. Smoke should begin in about 20 ~ 30 minutes.

One tray of wood chips will usually last about one hour. During extended grilling, chips may need to be added several times. Pull the drawer only partially out of the grill to add chips while in use. Never remove the hot smoker tray completely from the grill drawer. To improve smoke performance, keep the hood closed as much as possible while food is grilling.

NOTE: If not thoroughly soaked, the wood chips will flare up during grilling. To extinguish flames, pull the drawer slowly a few inches out of the grill front and add a small amount of water. The smoker tray can also be filled with water to produce steam which can help keep delicate foods moist during grilling.

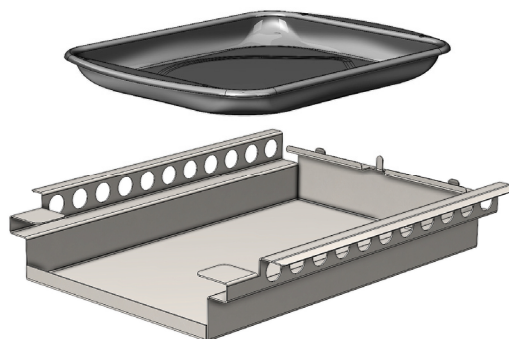
TYPES OF WOOD CHIPS TO USE:

- | | | |
|---------------------|--------------------------------|--------------------------------------|
| • Alder: | Medium, tart smoke flavor. | Excellent on fish, chicken or game. |
| • Maple: | Sweet, hearty smoke flavor. | Best with fish, jerky or bacon. |
| • Apple: | Light, sweet smoke flavor. | Superb with poultry, ham or sausage. |
| • Hickory: | Heavy smoke flavor. | Best with beef, pork or game. |
| • Mesquite: | Light smoke flavor. | Excellent on fish, poultry or beef. |
| • Oak: | Heavy smoke flavor. | Best with beef, lamb or pork. |
| • Pecan: | Rich, sweet, versatile flavor. | Good with any grilled foods. |
| • Grapevine: | Strong smoke flavor. | Best with beef or poultry. |

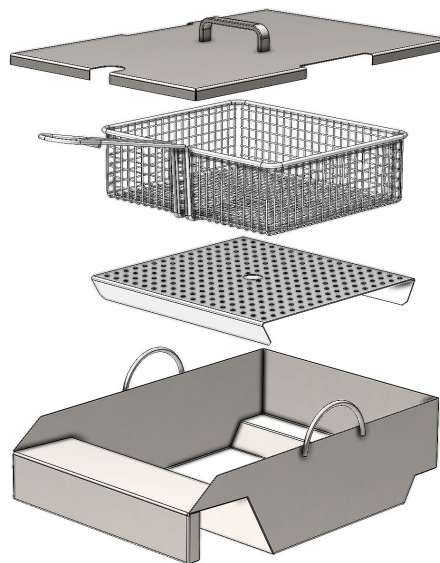
OPTIONAL ACCESSORIES:

The AIPG BBQ grill is able to use a larger variety of accessories for different cooking options:

Indirect Roasting Pod: **AIC-POD**

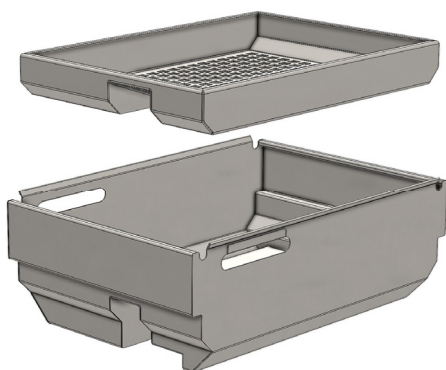


Steamer / Fryer / Pasta Cooker: **AG-SF**

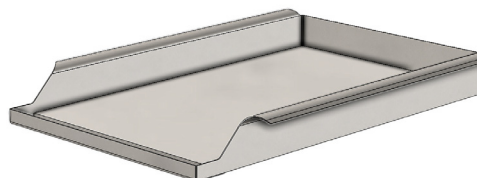


Solid Fuel Insert:

- **AIPG-SFI-POD36** (36" unit)
- **AIPG-SFI-POD42** (42" unit)



Commercial Griddle : **AGSQ-G**



Please consult Alfresco™ Grills from additional information as well as use, installation and operation of these accessories on your grill.

AIPG WIRELESS PROBE USE AND BEST PRACTICES

The wireless probe must be kept in the charging box at all times except when in use. It is designed to charge inside the box when it is inserted fully until it stops. A fully charged probe will last approximately 36 hrs. running.

NOTE: The first time your AIPG Grill is plugged to the power line, it might take approximately 5 minutes to charge the probe itself but about 15 ~ 20 minutes to fully charge the charging box.

The charging box holds enough charge for a few minutes in order to allow you to see the probe charge status when you open the drawer.

- When the probe is charging, you will see a RED LED light.
- When the probe is fully charged you will see a GREEN LED light.

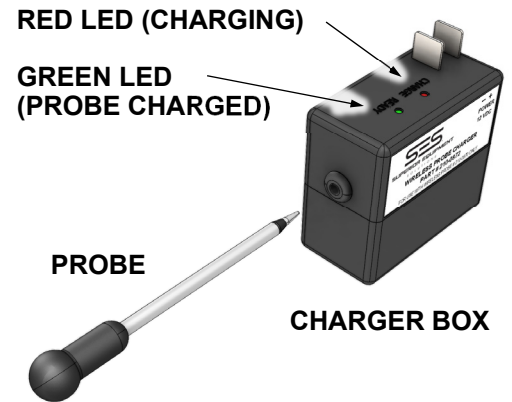
NOTE: If you do not see any LEDs ON when opening the drawer, wait for the charger box to be fully charged after plugging in the AIPG BBQ to the power line. The probe and charger box can only be charged when the drawer is closed. Likewise, if the drawer is open for an extended period of time such as when cleaning, the LED lights will eventually turn off. Close the drawer to power the charger box.

The AIPG Wireless Probe should be used any time you would like to know your food's internal cooking temperature. As a common practice, the Wireless Probe is placed in the thickest part of a steak or any large meat food product such as beef cuts, chicken breasts, thighs, etc...

On the right, we show the typical way of placing the Wireless Probe in a large steak correctly:

- ◆ The Probe TIP is inserted in the middle of the food to be measured.
- ◆ The placement of the Probe is mostly upright or at a slight angle within the area covered by the food.
- ◆ The handle of the Wireless Probe is generally over the food being cooked.

DO NOT insert the Wireless Probe too far into a meat product so the Probe is past your food and into the grate area or below the grate. Doing so, could expose the Probe TIP to very high heat temperatures or flames and not only you would get an incorrect temperature reading but will possibly damage the Probe.



Likewise, **DO NOT** let the handle of the Probe extend past beyond the edge of your food. This practice could also potentially expose the plastic handle to extreme heat and damage it.

The handle of the Probe is able to withstand temperatures up to 500 °F, but higher convection or radiated heat from your grill main burners or rotisserie can damage the Probe's plastic handle.

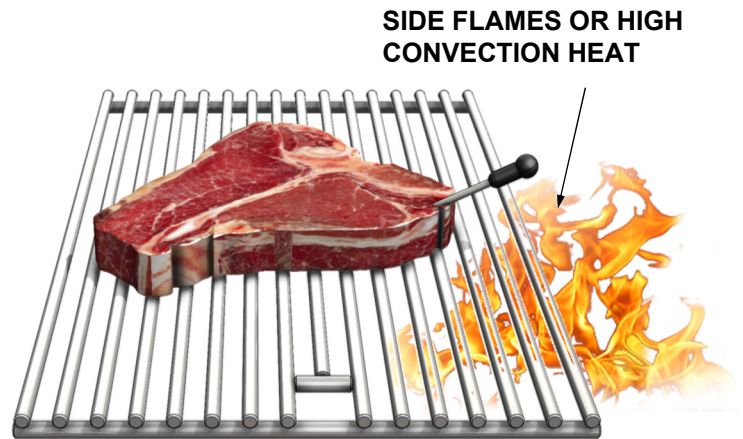
DO NOT GET BURNED while handling the Probe if it has been used while cooking for some time.

ALWAYS use heat rated gloves or oven mittens when taking the Probe out of your food product if it has been left monitoring your food at high temperatures for some time.

THE PROBE HANDLE WILL BE VERY HOT.

The handle will be hotter than your temperature readings. The probe is sensing temperature in the food.

ALWAYS clean the probe with a sponge and soap solution. **DO NOT** submerge the probe in any liquids and always keep it stored in the wireless probe charger so it's always charged and ready for use.



STAINLESS STEEL CARE:

Stainless Steel is widely used for catering and residential kitchen equipment because of its strength, its ability to resist corrosion and its ease of cleaning. In fact, stainless steel ranks alongside glass and new china in terms of "ease of cleaning" and in percentage removal of bacteria during washing. As a result of these virtues, the metal is often taken for granted and it is assumed that no problems will arise during its usage. However, some care is required to ensure that the stainless steel can live up to this reputation.

DAY TO DAY CARE:

To maintain the original appearance of your Alfresco™ Grill, a regular cleaning routine should be carried out using the following guidelines:

1. After use, following the safety precautions detailed on page 24 and 25, wipe the Grill with a soft damp soapy cloth and rinse with clean water, preferably warm/hot water. This should remove most substances encountered during the grilling process.
2. For more tenacious deposits, including oil, grease and water-borne deposits, use a multi purpose cream cleanser and apply with a soft damp cloth. Rinsing with fresh water, as described above, should follow as a last step.
3. For really stubborn dirt or burnt-on grease, a nylon-scouring pad may be used in conjunction with the cream cleanser. On no account should "wire wool" pads be used unless they are made of stainless steel.
4. Harsh abrasives and scouring materials should not be used for cleaning stainless steel as they will leave scratch marks in the surface and damage the appearance of the Grill. Likewise do not use wire brushes, scrapers or contaminated scouring pads.
5. Your Alfresco™ Grill has a directional polished grain, any cleaning with abrasives should be carried out along this grain direction and not across it.
6. After use, always remove wet cleaning aids (such as cloths, pads, containers) from the surface, to avoid formation of water marks or stains.
7. If required, dry the Grill after use with a soft dry cloth or towel.

If the preceding guidelines are adhered to, your Alfresco™ Grill should offer excellent life and should live up to its reputation of being "stainless".

Neglect of this practice, however, can lead to deterioration of the surface and, in some extreme cases, corrosion of the steel itself. The two most common types of corrosion that may be encountered, particularly on stainless steel, are rust marks and pitting of the surface.

RUST-BROWN MARKS:

When this type of staining occurs it is unlikely that rusting of the stainless steel itself caused the marks. Similar marks can be found with both porcelain and plastic sinks. The rust marks are more likely to be the result of small particles of “ordinary-steel” which have become attached to the surface; these have subsequently rusted in the damp environment. The most common source of such particles is from “wire-wool” scouring pads, but contamination may also occur from carbon steel utensils and old cast iron water supply pipes.

These brown marks are only superficial stains, which will not harm the Grill; they should be removable using a soft damp cloth and a multi-purpose cream cleanser.

Occasionally, it may be necessary to resort to a proprietary stainless steel cleanser, to return the surface of the Grill to its original condition. To avoid re-occurrence of any “rust-staining” it is essential that the source of the contamination is eliminated.

PITTING:

Another form of corrosion, which occasionally occurs in stainless steel, is pitting of the surface. The reason for this corrosive attack can usually be attributed to certain household products, for example:

BLEACHES:

Most common domestic bleaches & sterilizing solutions contain chlorine in the form of sodium hypochlorite. If used in concentrated form, bleaches can attack the stainless steel, causing pitting of the surface.

They should always be used to the strengths prescribed by the manufacturer and should be thoroughly rinsed off with clean water immediately after use. All cleaning agents containing hypochlorite are unsuitable for long term contact with stainless steel and, even when used in the highly diluted form, they can produce pitting under certain conditions.

Foodstuffs:

In general stainless steel is fully resistant to all foodstuffs in common use. Only in isolated cases, such as when concentrated salt and vinegar mixtures are allowed to remain in contact with the stainless steel for a long period of time, can surface damage result.

CARE & MAINTENANCE OF YOUR GRILL:

GRILL RACKS:

The easiest way to clean the round wire Grill Racks is immediately after cooking is completed and after turning off the flame. Wear a barbecue mitt to protect your hand from the heat and steam. Dip a brass bristle barbecue brush in hot soapy water and scrub the hot Grill Rack. Dip the brush frequently in the bowl of water. Steam, created as water contacts the hot grill, assists the cleaning process by softening any food particles. The food particles will fall and eventually burn.

If the grill is allowed to cool before cleaning, then cleaning will be more difficult.

The V-Grate used for the IR burner will primarily self-clean during the 5 minute IR burner cleaning period (Read IR-Burner cleaning in the following page). After the grate has cooled, remove it from the grill and brush off burned debris.

H-BURNER CLEANING:

Before removing the H-Burners, make sure that the gas supply is OFF and the control knobs are in the OFF position. Allow grill to cool completely, then lift off the grill racks. To remove burners, lift the rear of the burner out of the bracket.

NOTICE

NEVER CLEAN THE V-GRATE WITH ANY TYPE OF LIQUID WHILE IT IS ON THE GRILL. LIQUID CAN PERMANENTLY DAMAGE THE IR-BURNER.

Angle the burner slightly to clear the igniter glow and opening at the front of the grill. Slide burner straight off the orifice tip. Great care should be used when installing a burner, as it must be correctly centered and secured on the orifice before any attempt is made to relight the grill. The burner should lie flat and not have any side-to-side movement. Frequency of cleaning will depend upon grill use

Clean the exterior of the burner with a brass bristled wire brush. Clear any stubborn scale with a metal scraper. Clear any clogged ports with a thin wire. Never use a wooden toothpick as it may break off and clog the port permanently. Shake out any debris through the air shutter. Use a flashlight to inspect the burner inlet to ensure it is not blocked, if obstructions can be seen, use a stiff wire to clean out the burner throat.

THERMAGLASS™ SHIELD CLEANING:

Remove the Thermaglass™ Shields and scrape any burn food particles with a plastic scraper ONLY.

NEVER clean the glass surface with a metal scraper or scouring pad as permanent damage to the glass will occur.

Wash the Thermaglass™ in a sink with dish soap and a sponge. For stubborn backed on food particles a BLUE Scotchbrite® or similar **non-scratching pads** may be used. Wash thoroughly and dry.

Never use GREEN, RED or BROWN scouring pads as they will permanently scratch the Thermaglass™ shield's surface.

The use of a dishwasher is allowed if the instructions are followed as described in the Use of Dishwasher and Oven Cleaner Spray section as described below.

LIGHTS GLASS COVERS:

Light covers will be often and particularly prone to get very dirty due to their location in the firebox and constant smoke and grease exposure.

Remove the light covers as described in Light Bulb Replacement section on page 40.

Once removed follow the same instructions as the Thermaglass™ shield cleaning.

SMOKER AND GREASE TRAYS:

Smoker and Grease Trays can be cleaned by removing them from the Drawer assembly.

Smoker trays can simply be emptied of ash and unburnt wood and simply washed by hand with soap and water.

Grease trays are best to clean when completely cooled as the excess food fats will solidify and will be easier to remove with a plastic or wooden spatula. Hand washing with soap and water should remove all grease left in it.

Additionally they can be placed in the dishwasher for a more thorough cleaning.

SMOKER BURNER CAP DIFFUSERS:

The Smoker Burner Cap and Diffusers (see page 5) can be lifted straight up after the H-Burners have been removed from the Firebox. Pay attention to the orientation as they only fit in one way. When properly placed in the Firebox they should rest parallel against the bottom of the firebox.

To clean them, simply use a brass bristled wire brush to remove food particles that may have fallen on top of them and wash with soap and water. The Smoker Burner Cap Diffusers can also be placed in the dishwasher for a more thorough cleaning.

WARNING

DO NOT ALLOW EXCESS GREASE OR LIQUIDS TO ACCUMULATE IN THE GREASE TRAYS AS THIS WILL CREATE A FIRE HAZARD.

AVERTISSEMENT

NE LAISSEZ PAS L'ACCUMULATION D'UN EXCÈS DE GRAISSE OU DE LIQUIDES DANS LES BAC À GRAISSE CAR CELA CRÉE UN RISQUE D'INCENDIE.

WARNING

DO NOT ATTEMPT TO REMOVE THE GREASE TRAY DURING USE OR WHILE IT IS HOT AFTER USING THE GRILL.

AVERTISSEMENT

N'ESSAYEZ PAS DE RETIRER LE BAC À GRAISSE PENDANT L'UTILISATION OU LORSQU'IL EST CHAUD APRÈS AVOIR UTILISÉ LE GRIL.

USE OF DISHWASHER AND OVEN CLEANER SPRAYS:

Grill Racks, H-Burners, Thermaglass™, Glass Light Covers, Smoker and Grease Trays as well as Smoker Burner Cap Diffusers can be washed in a standard household dishwasher in the bottom rack.

Please be aware that the cleaning cycle might not have your desired results. General grease and stains on the surface will certainly come out, but stubborn backed-on foods in certain areas might not come out completely, even after repeated washing.

If placing H-Burners in the dishwasher, place them upside down (ports facing down) and preferably at an angle (air inlet facing downwards) in order for water to drain out of the burner body and ports. This method will avoid getting water trapped inside during the wash cycles.

Set your dishwasher to HEAT DRY in order to completely evaporate any trapped or left over water inside the burners.

For a more thorough cleaning oven cleaner sprays can be used if cleaning is done in a properly sized kitchen sink or container and only after all parts to be cleaned are completely cool to the touch.

NOTE: Always follow the oven cleaner manufacturer's directions of personal safety and use.

Spray the oven cleaner onto the Grill Racks, H-Burners, Thermaglass™, Glass Light Covers, Smoker Burners and Grease Trays as well as Smoker Burner Cap Diffusers. Let the product do the work according to the manufacturer's recommendations of personal safety and use.

It is recommended to use a brass bristled wire brush to removed any backed on grease for particles in all metal stainless parts and exclusively a non-scratching pad (BLUE) on all glass parts. Wash thoroughly with water to remove any oven cleaner chemicals from the stainless components and glass.

Any chemicals left on the stainless steel components can eventually lead to corrosion.

When using oven cleaners, it is best to follow through with a dishwasher cycle as stated above to completely wash, rinse and remove any chemicals for the Grates, H-Burners, Thermaglass™, Glass Light Covers, Smoker and Grease Trays and Smoker Cap Diffusers prior to use.

FIREBOX:

Cleaning of the firebox should be done only when it is cool to the touch and after removing the Grill Grates, Thermaglass™ and burners from the firebox area.

When cleaning the firebox is it best doing this step prior to removing the grease trays as any food particles can be allowed to fall and collect on the grease trays prior to cleaning them.

It is recommended to pick up any left over food particles that might have fallen to the bottom of the firebox regularly. Using a brass bristled wire brush remove any food particles.

Use a damped sponge with soap and water while cleaning with the smallest amount of water as possible. Rinse with a damped cloth only, do not allow water to run feely in the firebox. Only surface cleaning is required.

GRILL DRAWER:

For everyday cleaning, follow day to day care instructions on the previous pages. For a more thorough cleaning, remove the drawer. Allow the grill to cool completely before removing the drawer and follow the instructions on page 6 for removal.

 **WARNING: THE DRAWER IS VERY HEAVY.**

IR-BURNER CLEANING:

AFTER EACH USE, IT IS NECESSARY TO BURN THE IR BURNER WITH THE HOOD CLOSED FOR AT LEAST FIVE MINUTES TO VAPORIZE ANY FOOD DRIPPINGS OR PARTICLES. It may occasionally be necessary to brush, blow or vacuum accumulated ash from the burner's surface. Do so carefully and only when the burner is cool to the touch.

NOTICE

**FAILURE TO PERFORM THIS STEP
WILL DAMAGE THE IR-BURNER**

ORIFICE CLEANING:

With the burner removed, remove the orifice and shine a flashlight through the openings to ensure there is no blockage. Use a needle to clear any debris. Be extremely careful not to enlarge the hole or break off the needle.

TO REASSEMBLE THE BURNERS:

Replace the burner by sliding the air shutter over the brass orifice, centering it in the hole and resting the rear of the burner onto its supporting bracket.

IT IS EXTREMELY IMPORTANT TO CENTER THE BURNER ON THE ORIFICE PROPERLY.

Be careful not to upset the air shutters' original position (unless readjusting). Make sure the burner is level and does not rock. Special care must be taken not to hit or damage the igniter or temperature probe sensor (see page 28) while replacing the burners.

NOTE: Rough handling of the glow igniter can crack the ceramic body. Light all of the burners and check for proper flame characteristics (see page 27).

ADDITIONAL CONSIDERATIONS:

Always keep the area around the grill free of obstructions and debris. Maintain at least 3" of space around grill to ensure proper airflow, and keep all ventilation openings clear and free of debris. Visually check flame characteristics and compare to description on page 27. Adjust if needed. Clean appliance after each use, and check for blockages, especially at the burner orifices, after periods of prolonged non-use. To maintain the appearance of your Alfresco™ Grill for many years, keep it covered when not in use. Backyard environments are harsh on your grills' finish. Long exposure to sun, water, yard chemicals and the elements will reduce the appearance of the stainless steel. This is especially applicable in ocean front locations, or locations subject to sea mists. Alfresco™ Grills strongly recommends that you cover your Grill when not in use.

TROUBLESHOOTING:

BEFORE CALLING FOR SERVICE:

If your Alfresco™ Grill does not function properly use the following checklist before contacting your dealer for service. You may save the cost of a service call and the inconvenience of being without your grill. Additional troubleshooting tips can be found on our website at www.alfrescogrills.com.

SPIDER AND INSECT WARNING:

Spiders and insects can nest in the burners of this or any other grill, and cause the gas to flow from the front of the burner. This is a very dangerous condition, which can cause a fire to occur behind the valve panel, thereby damaging the grill and making it unsafe to operate.

WHEN TO LOOK FOR SPIDERS: You should inspect the burners at least twice a year or immediately if any of the following conditions occur:

1. The smell of gas in conjunction with the burner flames appearing yellow.
2. The Grill does not reach temperature.
3. The Grill heats unevenly.
4. The burners make popping noises.

GRILL WON'T LIGHT:

First determine if the igniters are functioning properly. Check the igniter and see if it is glowing from black to red in the corresponding burner. If not, check power supply. Is the power cord connected? Has GFCI tripped? If power supply is okay, ensure the gas supply is turned on, and that there are no leaks according to the procedure on page 15 or Installation on page 21. Attempt to match-light a burner. If the burner will light with a match, then the glow igniter may not be functioning correctly.

Call for service. If the burner will not match light, and the gas supply has been confirmed, then check the burner for blockages according to the procedure on page this page.

FLAME IS YELLOW / GAS SMELL:

IF YOU SMELL GAS WHILE THE GRILL IS OPERATING, IMMEDIATELY TURN OFF ALL BURNERS. Perform a leak test and check for blockages according to the procedure on page 35. Also check the air shutter adjustment according to the procedure on page 26 and 27.

Note: If the grill is operating in a dusty area or if heavy grease is present on top of the Thermaglass™ or at the bottom of the firebox, some orange tips on the burner flame should be considered normal.

LOW / INSUFFICIENT HEAT:

Ensure that adequate preheat time has elapsed.

- **H-Burners** should preheat for at least 15 minutes with the hood closed (20 ~ 25 minutes for high heat specially in cold environments).
- **IR Burners** should be allowed to preheat for at least 4 ~ 5 five minutes with the hood closed.

If adequate preheat time was allowed, check the gas supply for a damaged and/or kinked supply line. Replace if necessary. On LP units, a mostly empty tank may not have sufficient pressure to run the grill at high heat. Replace with a full tank. Make sure that the regulator/hose assembly being used is the unit supplied with the grill. On NG units, ensure that the flexible supply line is at least 1/2" diameter.

Check the gas supply pressure to ensure at least 7" W.C. for NG and 11" W.C. for LP.

If gas supply is adequate, check burners for blockages according to the procedure described above. Check flame characteristics according to the procedure on page 27 and adjust air shutter if needed.

Check that there is no pressure being applied to the regulator attached to the back of the grill. This regulator contains a flexible diaphragm and should not touch the grill body or any surrounding objects.

Check to make sure that the burners and the drip tray are clean and free from obstructions. Clean burners if necessary.

NOTE: No part of the grill should ever be lined with aluminum foil as it will interfere with airflow and can cause a low heat condition in the firebox and a high heat condition inside the control panel.

BURNER BLOWS OUT:

First determine if the problem is being caused by location. If location is subject to high winds, reposition grill to provide some protection by placing the back of the grill toward the wind.

Check the gas supply and flame characteristic according to the procedure under Low / Insufficient Heat. Check to ensure that burners are correctly positioned in the grill according to the procedure on page 5 & 28. Correctly installed burners should be seated firmly with no side-to-side movement.

ROTISSERIE WON'T LIGHT:

Follow the same procedure as "grill won't light", on the previous page, to diagnose problems with the Rotisserie IR burner. The IR burner flame may be hard to see in bright sunny conditions.

SMOKER BURNER WON'T LIGHT:

Follow the same procedure as "grill won't light", on the previous page, to diagnose problems with the Smoker burner. Follow the next troubleshooting steps:

- Turn the smokers OFF from the smoker switch on the front panel.

- Open the drawer and remove the wood chip smoker trays.
- Close the drawer.
- Lift the Smoker Caps Diffuser (see page 5)

With the Smoke Cap Diffusers removed, you should be able to see the smokers and igniters directly at the bottom of the grill.

Turn ON the smokers and you should be able to see the glowing igniters as well as a small and long burner flame. If you cannot see the burners ON or the igniter glowing, contact your service representative.

When using the smoker with the main grill burners, the smoker burner should be lit first and allowed to pre-heat for before lighting the grill burners. It takes a minimum of 15 minutes for smoke to start coming out.

GRILL GETS TOO HOT:

IF THE GRILL GETS TOO HOT, TURN IT OFF IMMEDIATELY AND ALLOW IT TO COOL.

Perform a leak test according to the procedure on page 13 or 21. If leaks cannot be corrected, call for service before attempting to use the grill.

LIGHTS DON'T WORK:

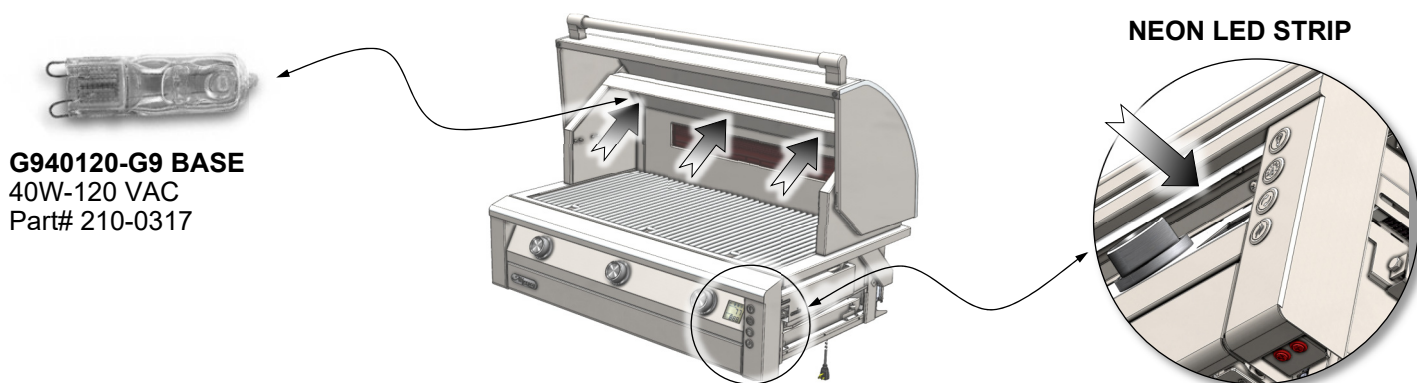
Check that power is connected and that the GFCI has not tripped.

LIGHT BULB REPLACEMENT:

NOTE: Disconnect all power to your Alfresco™ Grill before any service or light bulb replacement is performed. There are two types of lights on your AIPG grill, incandescent in the cooking area see below, and a NEON-LED panel light under the control panel bullnose see image on the next page. The Bullnose lighting system requires replacing the entire NEON-LED Strip Light .

Incandescent light bulbs are located on the left, center and right side of the rear hood above the cooking area. The area around the light fixtures and the light fixtures themselves become extremely hot during grill operation with or without the lights being turned on.

NOTE: BEFORE REPLACING ANY INCANDESCENT LIGHT BULBS, ALLOW SUFFICIENT TIME FOR THE FIXTURES TO COOL DOWN IF THE LIGHTS OR THE GRILL WAS TURNED ON.



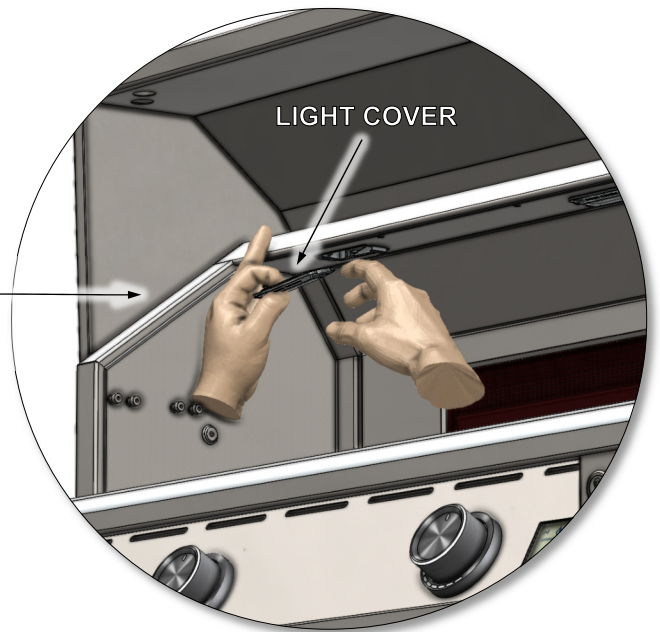
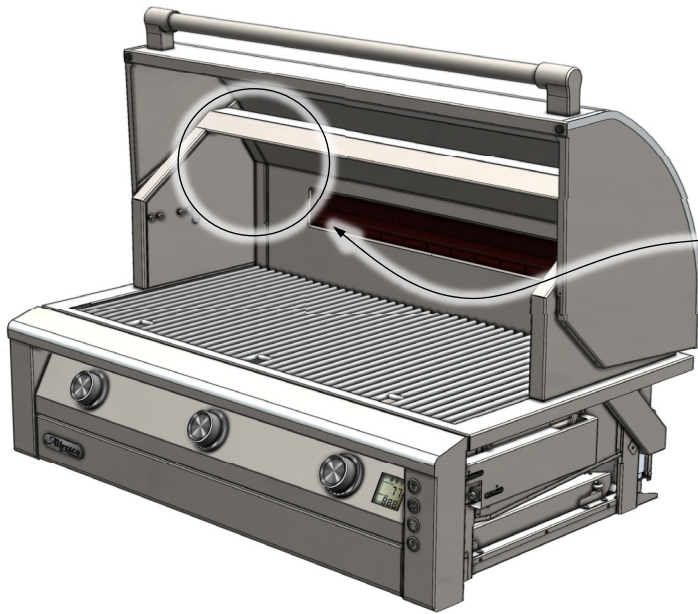
Incandescent Light bulbs can reach several hundred degrees when operating, so allow plenty of time for them to cool down. For the NEON-LED Strip Light (consult the factory for part replacement).

INCANDESCENT LIGHT BULB REPLACEMENT

Should you need to replace the light bulbs in your Alfresco™ Grill, please refer to the following steps:

NOTE: DO NOT USE ANY TOOLS, USE ONLY YOUR HANDS as you might chip the glass cover.

REMOVE THE LIGHT COVER



The light covers are supported by a spring clip with **TWO** prongs to the light fixture. Pry open the light cover from the 2 prong clip side.

CLIP SIDE



REMOVE THE LIGHT BULB

Reach inside the light fixture and remove the light bulb by pulling it straight out of the socket to the left side of the grill.

INSTALLING A NEW LIGHT BULB:

NOTE: When replacing light bulbs, use a soft clean cloth (cotton or paper towels) when handling lights.

Always keep halogen lights free of fingerprints and grease when replacing. Because of the light bulb's very high operating temperature, grease or fingerprints left on the light bulb might reduce the bulb's life.

Insert a new light bulb using a clean cloth and do not force the light bulb in the socket. Very little effort is required for the bulb to "SNAP" and lock into place.

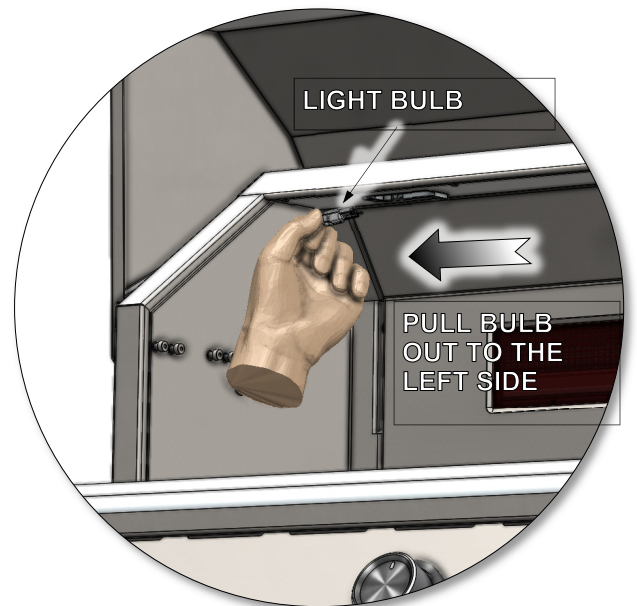
Look at the bulb and verify that no fingerprints are left on it. Wipe off any fingerprints and or grease that might have accidentally come in contact with the glass of the light bulb.

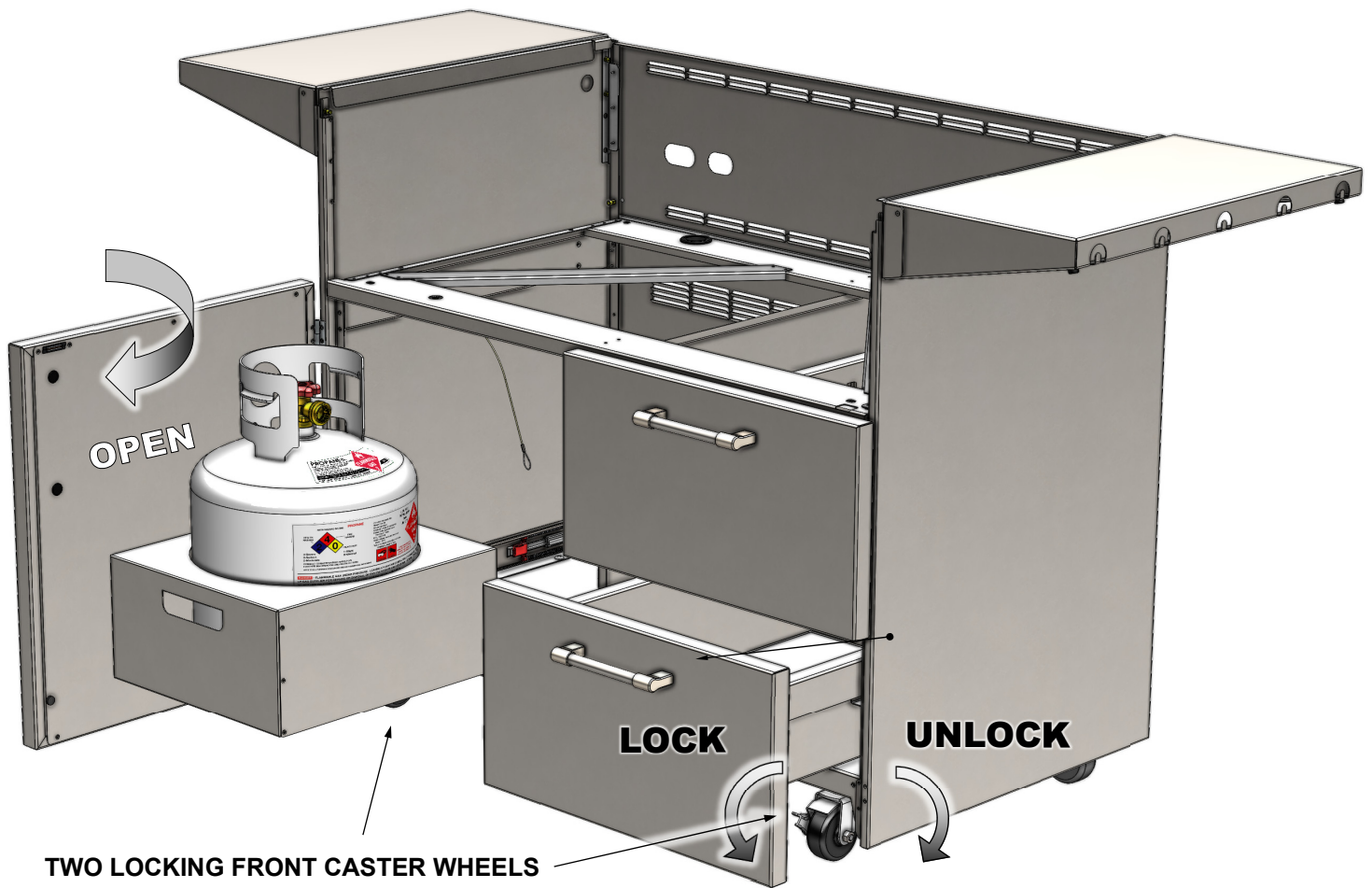
Replace the light cover by inserting it into the light fixture at a slight angle until it "SNAPS" into place. Power up your Alfresco™ Grill and verify the light bulb operation by turning on the light switch.

CART MOUNTED UNITS — CART SECUREMENT:

To prevent your Alfresco™ Cart and Barbeque from rolling on a leveled or uneven floor, secure the cart's caster wheels located on the front of the cart.

The caster wheels are accessible by opening the door and bottom drawer and using the wheel's side lever to **LOCK** or **UNLOCK** the backing system of the wheels as shown to the right.





ADDITIONAL IMPORTANT CLEANING AND STORAGE CONSIDERATIONS:

In order to maintain your grill in clean working order, it will be necessary, under certain conditions, to take additional precautions:

- If your grill is located in a coastal area, it will be exposed to salty air which is corrosive.
- If it is located close to a swimming pool or Jacuzzi with chlorinated water, then it will be exposed to dilute hydrochloric acid which can be formed as a result of chlorine compounds used in the pool causing chlorine to be combined with hydrogen and water in the atmosphere.
- Muriatic acid (another name for hydrochloric acid) is used to maintain the correct ph balance in the pool water. Chlorine is an oxidizing agent, and as such can promote rapid corrosion or other oxidizing processes which can damage various materials.

• Type 304 stainless steel is highly resistant to corrosion but given enough exposure to such corrosive conditions might succumb to some degree, such that pitting or rusting may occur.

Our barbecue materials have been tested in saline solutions with higher salinity than sea water, and they have been tested in highly chlorinated solutions. They have also been tested by exposure to highly acidic foods. During and after these tests, we found these materials were able to withstand exposure over prolonged periods of time. However, the above mentioned corrosive substances, along with neglect, can lead to a situation whereby conditions might combine to cause some damage to occur.

Therefore, we suggest that you always keep your barbecue clean, dry and covered when not in use. This is even more important when long term storage is intended; always store the grill clean, dry and covered with your Alfresco™ Barbecue Cover.

Do not allow any food particles or grease to be left inside your barbecue, as this will attract rodents which, in addition to being undesirable from an hygienic standpoint, are likely to cause physical damage to

your barbecue. Rodents are known to chew on the insulation of wiring which will eventually cause permanent damage to the wiring and possibly electrical components.

One final consideration for barbecues located either along the coast or in a desert community: Wind driven sand is highly abrasive, therefore constant exposure will eventually pit and scratch almost anything; that is one more reason to keep your barbecue covered when not in use.

By routinely caring for your barbecue as outlined in this quick guide, you can enjoy many years of service from it and keep it looking the way it should.

In the event that any light rusting is found on the stainless steel, it will usually not be the stainless steel which is corroding but iron particles which have somehow been deposited on the surface. For more information on this subject, please request our "Rust removal bulletin".

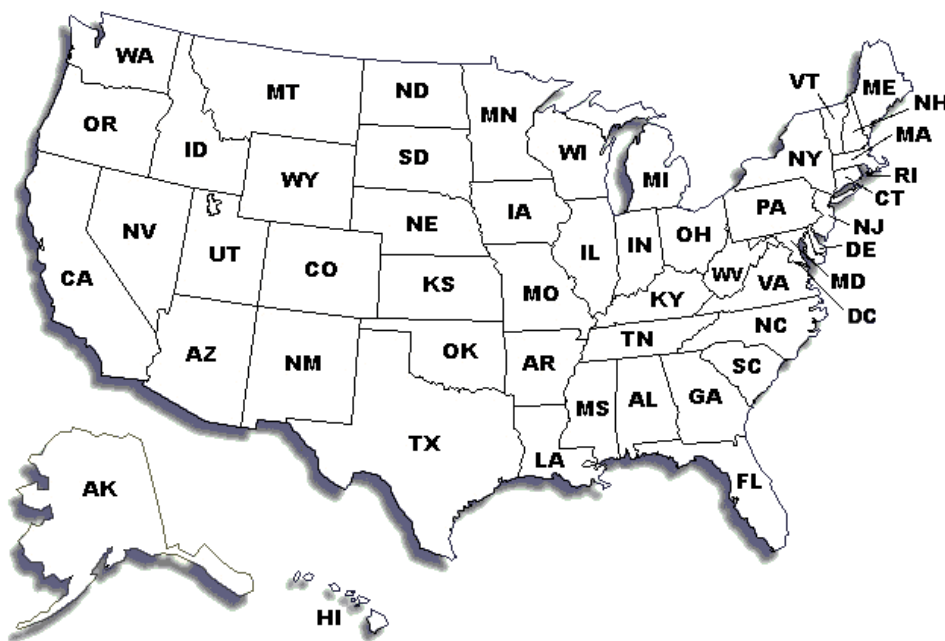
As a first course of action though, we recommend "Bar Keepers Friend", available from many supermarkets and hardware stores. This product, if used as directed, will usually solve the problem. Note though, when using this product on textured surfaces such as your barbecue, always rub in the direction of the grain; never across the grain, since doing so will damage the finish.

HOW TO OBTAIN SERVICE

WARRANTY SERVICE ONLY CALL : (866) 203-5607

Please provide:

- Model Number & Serial Number:
 - Grills (Located under the drip pan)
 - Refrigerators (Located inside on the upper left corner.)
- Gas Type.
- Date of installation.
- A brief description of the problem.



INQUIRIES & INFORMATION:

For all other Alfresco™ Gourmet Grill information such as power, installation, cut-out requirements, or any other product inquiries, visit us on the Web at:

www.alfrescogrills.com

Or contact us at:

Alfresco Gourmet Grills.
Customer Service Department.
1085 Bixby Drive
City of Industry, CA. 91745

Toll free: (888) 383-8800
Direct: (323) 722-7900
Fax: (323) 726-4700

Alfresco™ Gourmet Grills Limited Warranty

GRILLS (Residential use only)

LIMITED LIFETIME WARRANTY

Alfresco will repair or replace any stainless steel part including all fabricated stainless steel components, stainless steel burners and standard round grill grates (excluding what is covered in the Five Year Limited Warranty) to be defective from workmanship and when subjected to normal residential use and service. This warranty excludes surface corrosion, scratches, discoloration, weather and atmospheric related staining, and minor surface rust and oxidation which are normal conditions. Labor to remove and replace defective parts is not covered after first year of ownership. Shipping and handling cost will apply. Alfresco recommends that you use an authorized Alfresco servicer to perform such service.

LIMITED FIVE-YEAR WARRANTY

Alfresco warrants the burner glass cover, gas valves and drip pans, to be free from defects in materials and workmanship under normal residential use for a period of five years from the original date of purchase. Labor to remove and replace defective parts is not covered after first year of ownership. Shipping and handling cost will apply. All service provided by Alfresco under this warranty must be performed by an authorized Alfresco servicer.

FULL TWO YEAR WARRANTY

For two years from the date of original purchase, your Alfresco grill warranty covers all parts and labor to repair or replace, under normal residential use, any part of the product that proves to be defective in materials or workmanship. All service provided by Alfresco under this warranty must be performed by an authorized Alfresco servicer, unless otherwise specified by Alfresco. Service will only be provided during normal business hours.

TERMS APPLICABLE TO EACH WARRANTY

The warranty applies only to products installed for normal residential use. The warranty applies only to products installed in any one of the fifty states of the United States, the District of Columbia or the ten provinces of Canada. This warranty does not cover any parts or labor to correct any defect caused by negligence, accident or improper use, maintenance, installation, service or repair.

SERVICE & REPLACEMENT PARTS

For quicker and easier results visit our website at: <http://www.alfrescogrills.com> or, call 866-203-5607 to report service problems and/or to obtain replacement parts for your Alfresco Grill. Replacement parts are shipped F.O.B. City of Industry, California 91745. Before calling for service, please make sure you have the following information: **Model number, serial number, date of purchase, and proof of purchase** by original owner.

Limitations & Exclusions: **1.** Alfresco's warranty applies only to the original purchaser and may not be transferred. **2.** Alfresco's warranty is in lieu of all other warranties, expressed or implied and all other obligations or liabilities related to the sale or use of its grill products. **3.** Alfresco's warranty shall not apply and Alfresco is not responsible for damage resulting from misuse, abuse, alteration of or tampering with the appliance, accident, hostile environment, flare-up fires, improper installation, or installation not in accordance with the instructions contained in the User Manual, or the local codes. **4.** Alfresco shall not be liable for incidental, consequential, special or contingent damages resulting from its breach of this written warranty or any implied warranty. **5.** Some states do not allow limitations on how long an implied warranty lasts, or the exclusions of or limitations on consequential damages. This warranty gives you specific legal rights and you may have other rights, which vary from state to state. **6.** No one has the authority to add to or vary Alfresco's warranty, or to create for Alfresco any other obligation or liability in connection with the sale or use of its products.

Alfresco shall not be responsible for and shall not pay for the following: **1.** Installation or start-up. **2.** Service by an unauthorized service provider. **3.** Damage or repair due to service by an unauthorized service provider or use of unauthorized parts. **4.** Improper installation. **5.** Damage caused by accidents, abuse, alteration, misuse, installation that is not in accordance with the instructions contained in the User Manual, or local codes. **6.** Units installed in non-residential applications such as retirement homes, restaurants, hotels, schools, etc. **7.** To correct normal adjustments or settings due to improper installation, commissioning or local gas supply properties. **8.** Shipping and handling costs, export duties, or installation cost. **9.** The cost of service calls to diagnose trouble; or removal or re-installation cost.

TM

Alfresco

*Alfresco*TM

Open Air Culinary Systems

AIPG CARE & USE MANUAL
ALFRESCO GOURMET GRILLS
ALL RIGHTS RESERVED - 05-2026
SES # 195 - 0140