

# Artisan

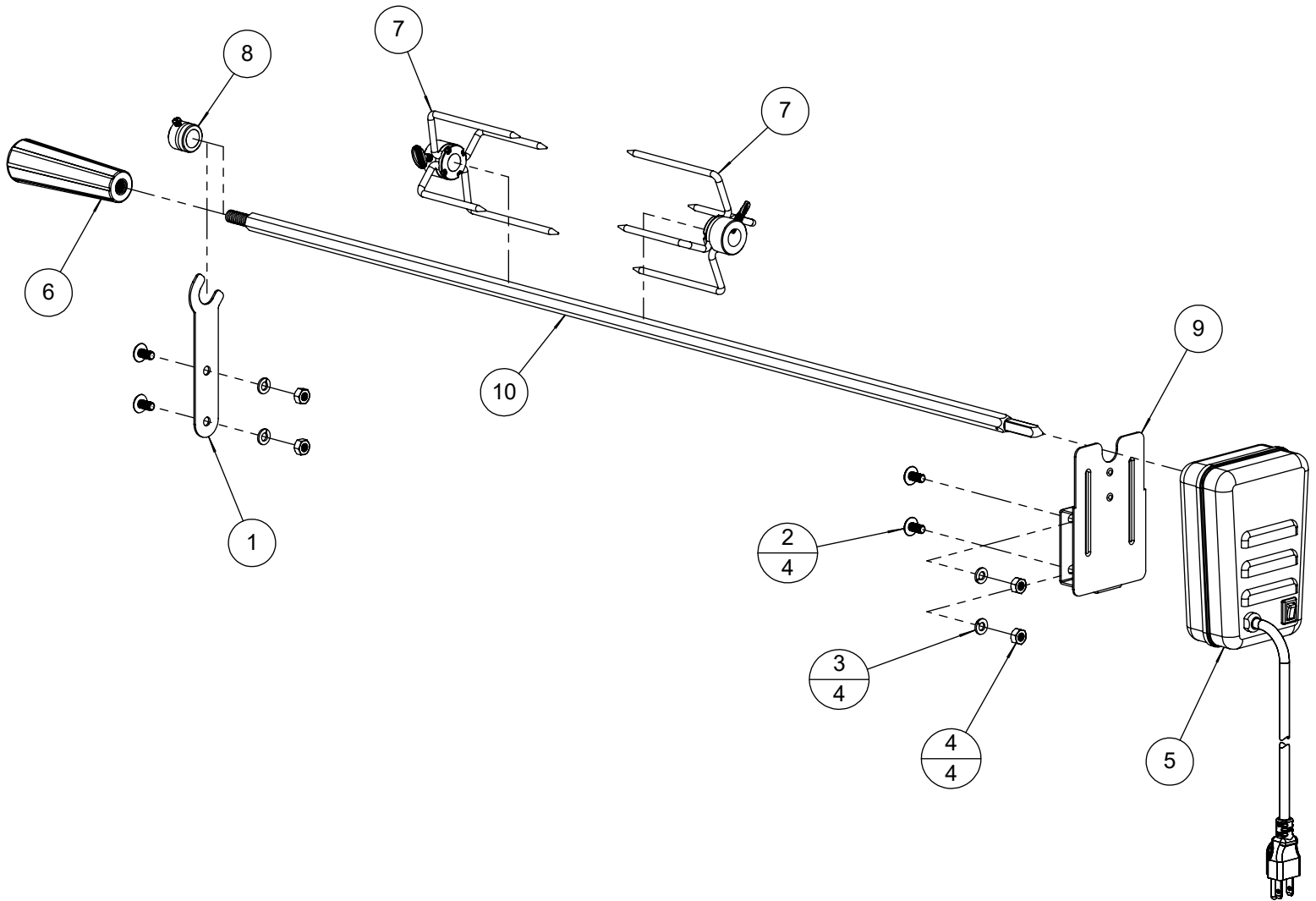


***ARTP-32 Parts Manual***  
***Serial # 18-00000 up to 25-133999***



**BILL OF MATERIAL**

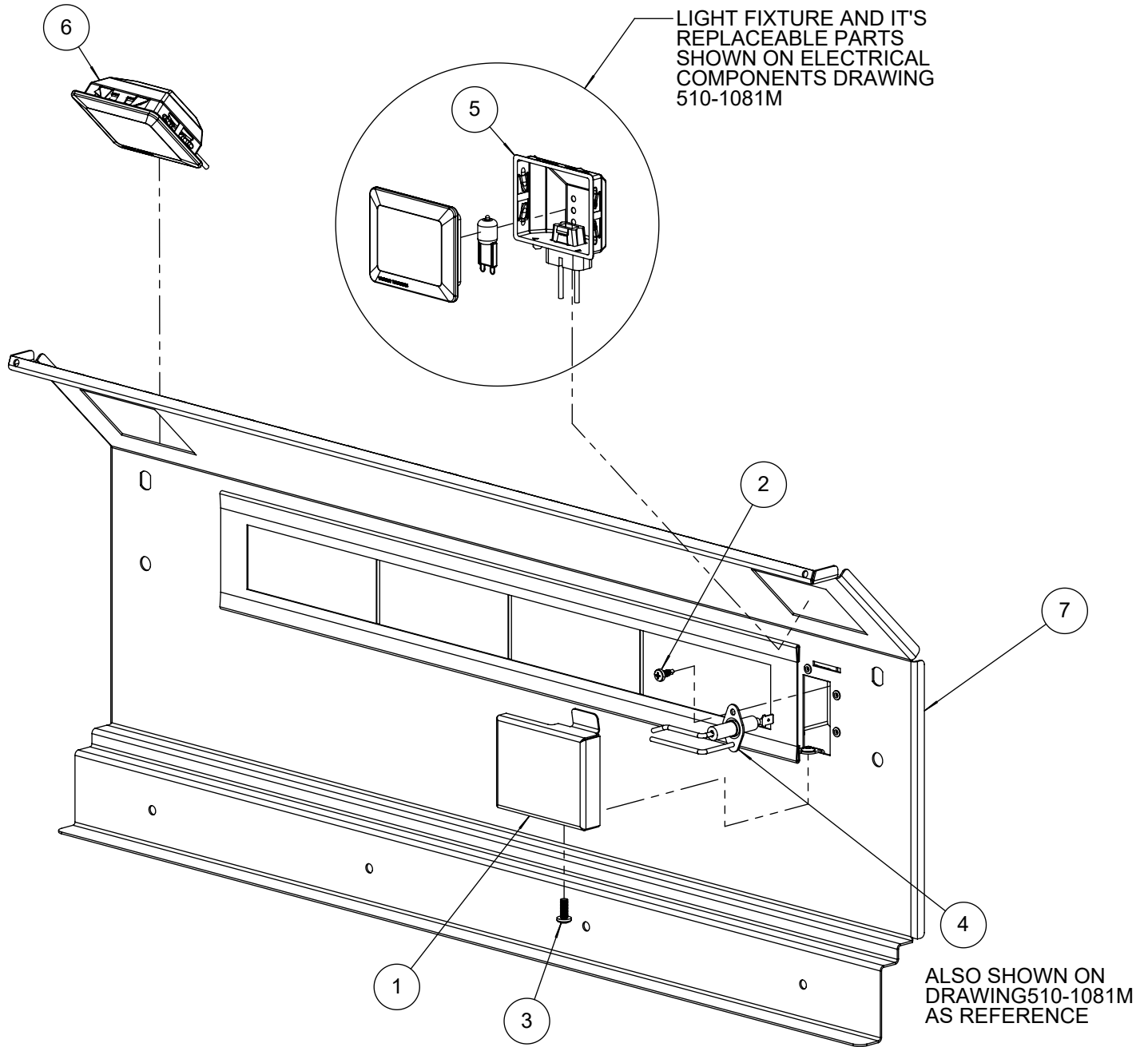
NO.	PART #	DESCRIPTION	QTY
1	100-2366	ROTISSERIE HOLDER BRACKET	1
2	200-0057	SCREW 1/4-20 X 1/2 - TRUSS HEAD - PHILLIPS	4
3	200-0087	WASHER - 1/4" SPRING LOCK- REGULAR - SS	4
4	200-0090	1/4-20 - DOUBLE CHAMFER - HEX NUT	4
5	210-0493	ROTISSERIE MOTOR	1
6	290-0330	ROTISSERIE SPEAR HANDLE	1
7	290-0331	ROTISSERIE FORK ASSEMBLY	2
8	290-0332	ROTISSERIRE BUSHING ASSEMBLY	1
9	290-0333	ROTISSERIE MOTOR MOUNT	1
10	290-0335	ROTISSERIE SPEAR 32"	1



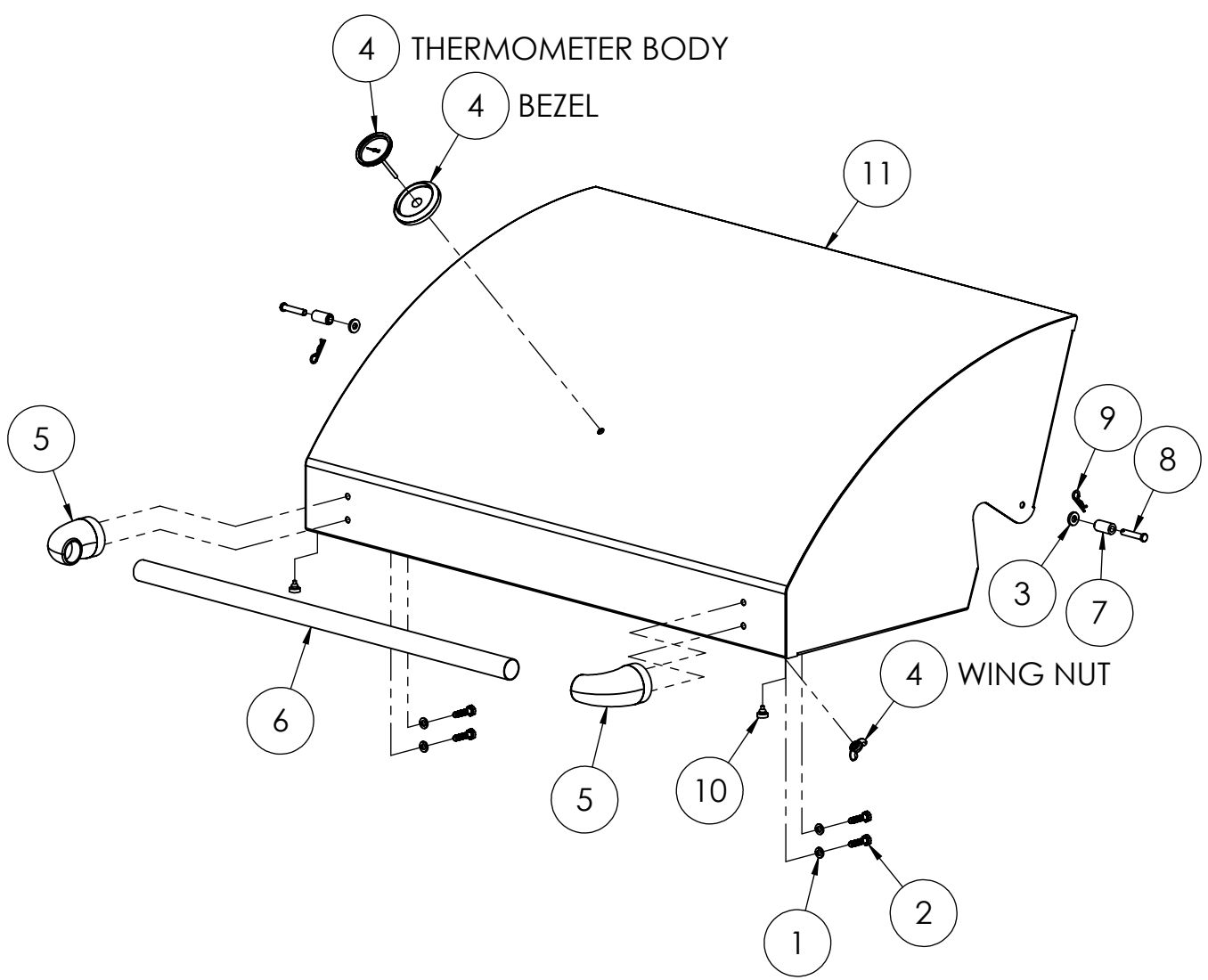
A ITEM NUMBER  
B QUANTITY

**BILL OF MATERIAL**

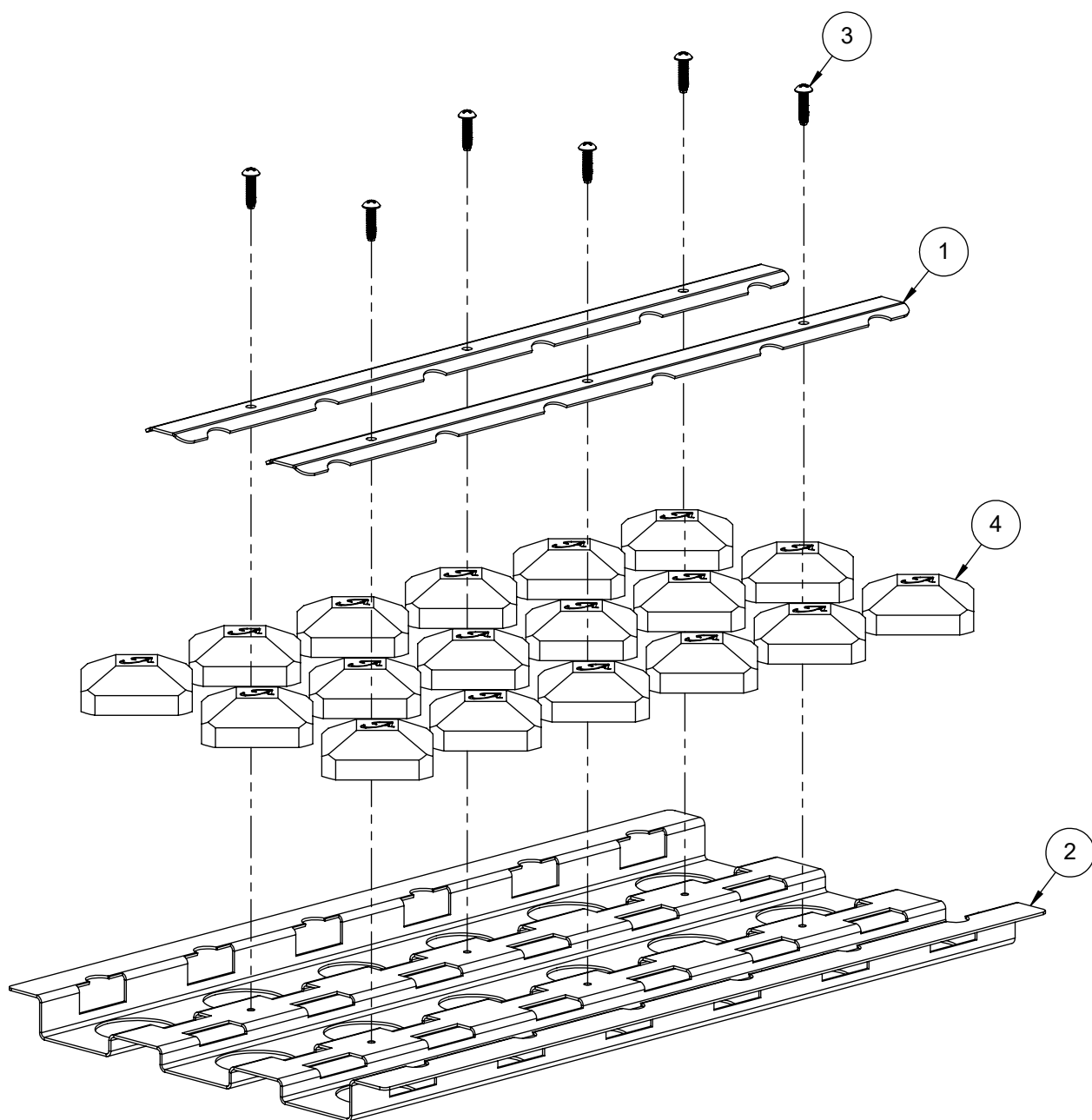
NO.	PART #	DESCRIPTION	QTY
1	100-2363	ROTISSERIE ELECTRODE COVER	1
2	200-0111	SCREW 8-18 X 1/2 - SELF TAP - 410 SS	1
3	200-0267	10-32 X 1/2 - PAN HEAD - PHILLIPS SCREW	1
4	210-0240	ELECTRODE - DUAL TIP "L" SHAPE- ROTISSERIE	1
5	210-0488	LAMP FIXTURE ASSEMBLY - G9/120V/40W	1
6	210-0510	LAMP FIXTURE ASSEMBLY - G9/120V/40W	1
7	510-1545	ROTISSERIE BURNER PANEL - WELDED PARTS	1



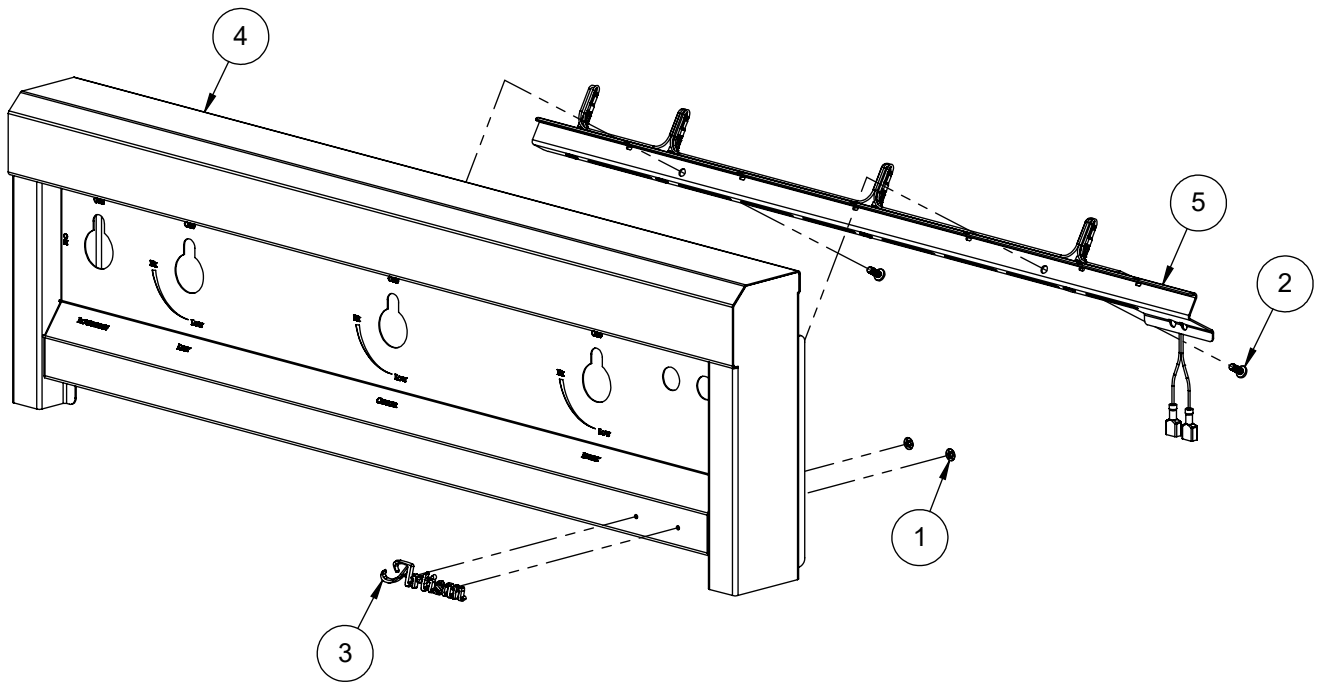
ITEM	PART NUMBER	DESCRIPTION	QTY
1	200-0087	WASHER - 1/4" SPRING LOCK- REGULAR - SS	4
2	200-0091	HH- HD - 1/4-20 x 1 x .75 THREAD	4
3	200-0092	1/4 X 1/8 X 5/8 FLAT WASHER - SPACER	2
4	210-0490	THERMOMETER ASSEMBLY	1
5	290-0063	HANDLE - END CAP ASSEMBLY	2
6	290-0316	32" BBQ FRONT HOOD HANDLE BAR	1
7	290-0444	SPACER - 1/2" OD x 1/4" ID	2
8	290-0445	CLEVIS PIN - 1/4"Ø x 1-3/8	2
9	290-0448	COTTER PIN - HAIRPIN 1/4" ~ 3/8" Pin Ø x 1-1/4" L x 5/64" WIRE	2
10	290-0465	Bumper 600°F 1/2" dia x 5/32" head	2
11	510-1198	FRONT HOOD - WELDED PARTS - W/BUMPER	1



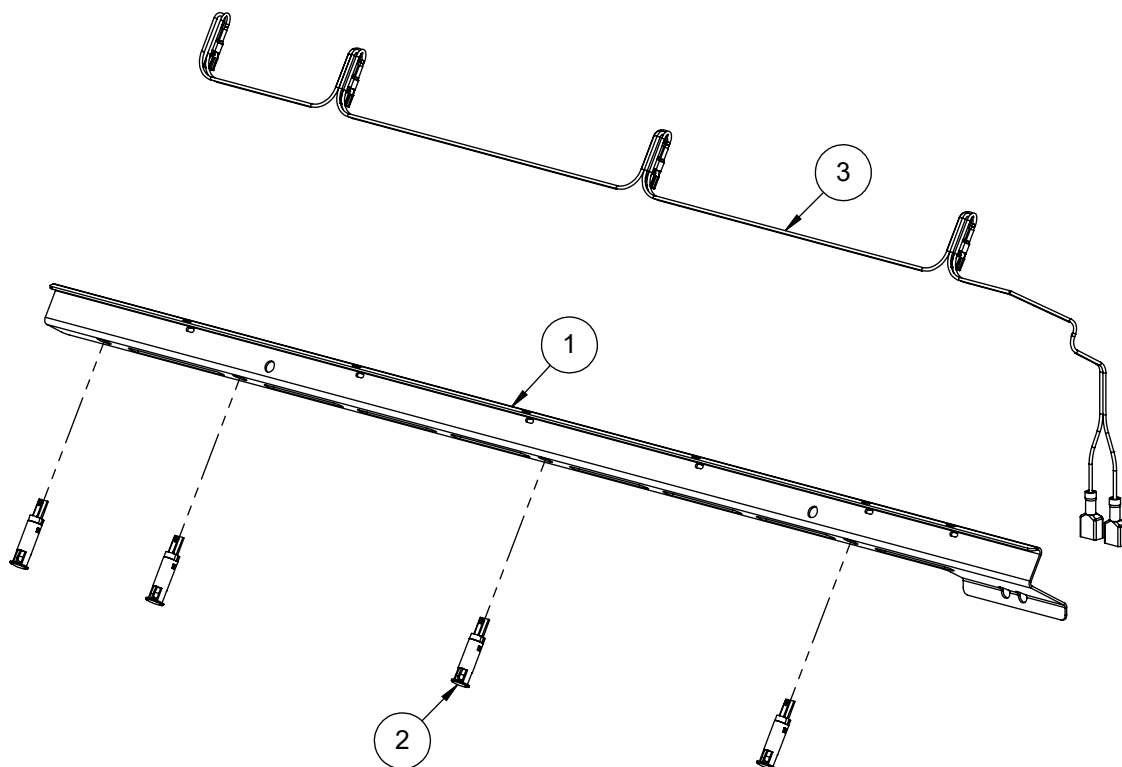
ITEM	PART NUMBER	DESCRIPTION	QTY
1	100-1895	BRIQUETTE LOCK BAR	2
2	100-2669	BRIQUETTE TRAY BASE - 9-5/8" WIDE	1
3	200-0314	SCREW 8-32 x 5/8", PAN HEAD, PHILLIPS THREAD CUTTER TYPE F	6
4	265-0005	CERAMIC BRIQUETTE W/ LOGO	18



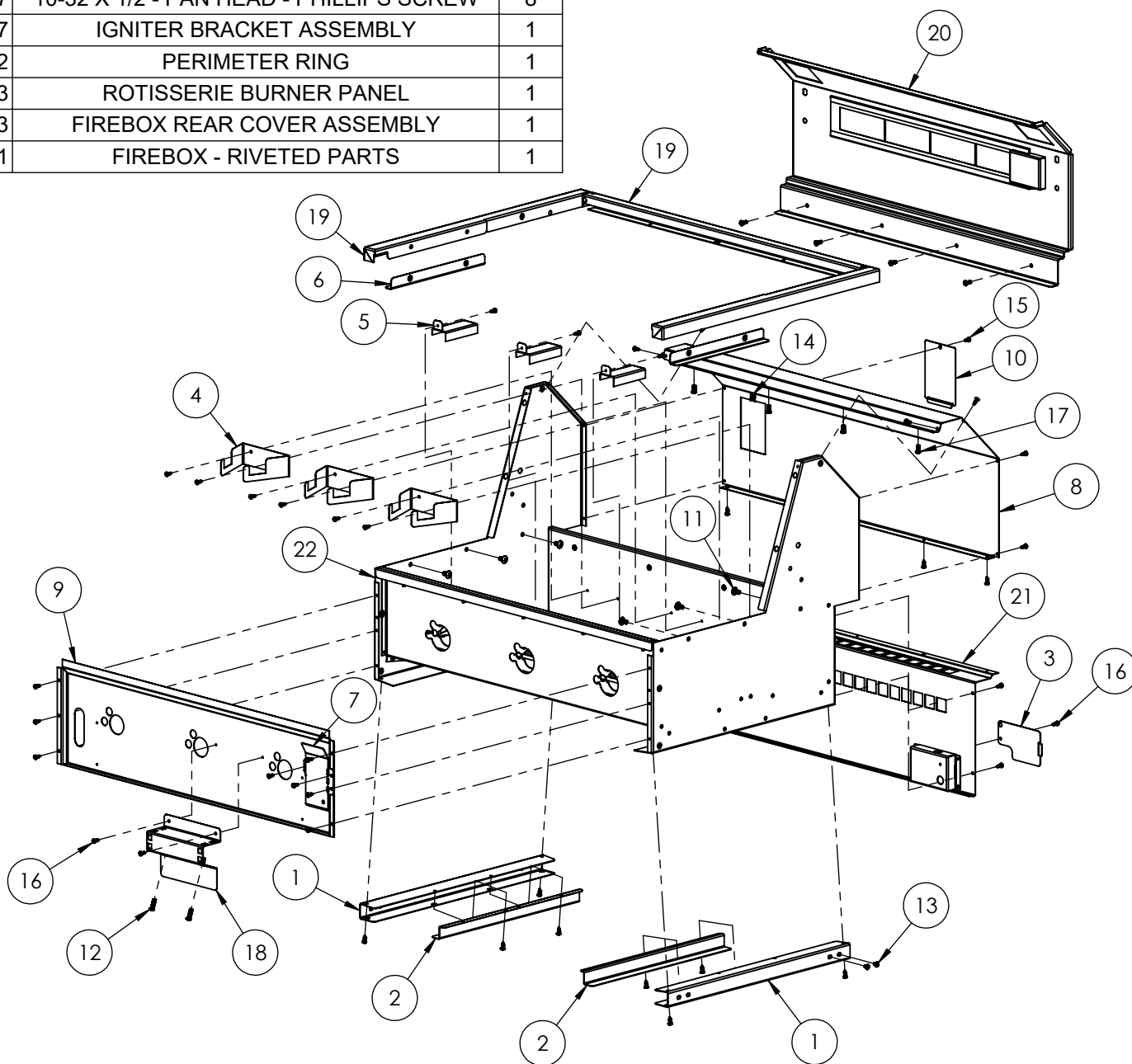
ITEM	PART NUMBER	DESCRIPTION	QTY
1	200-0093	WASHER - PUSH LOCK 1/8" ID X 3/8" OD (LOGO)	2
2	200-0267	10-32 X 1/2 - PAN HEAD - PHILLIPS SCREW	2
3	290-0356	ARTISAN LOGO	1
4	510-1021	FRONT PANEL - WELDED PARTS	1
5	510-1027	FRONT PANEL - LIGHT ASSEMBLY	1



ITEM	PART NUMBER	DESCRIPTION	QTY
1	100-2677	FRONT PANEL LIGHT BRACKET	1
2	210-0624	Pilot Light - Blue LED, 8mm Ø, 110 VAC	4
3	210-0629	FRONT PANEL LIGHTING HARNESS	1



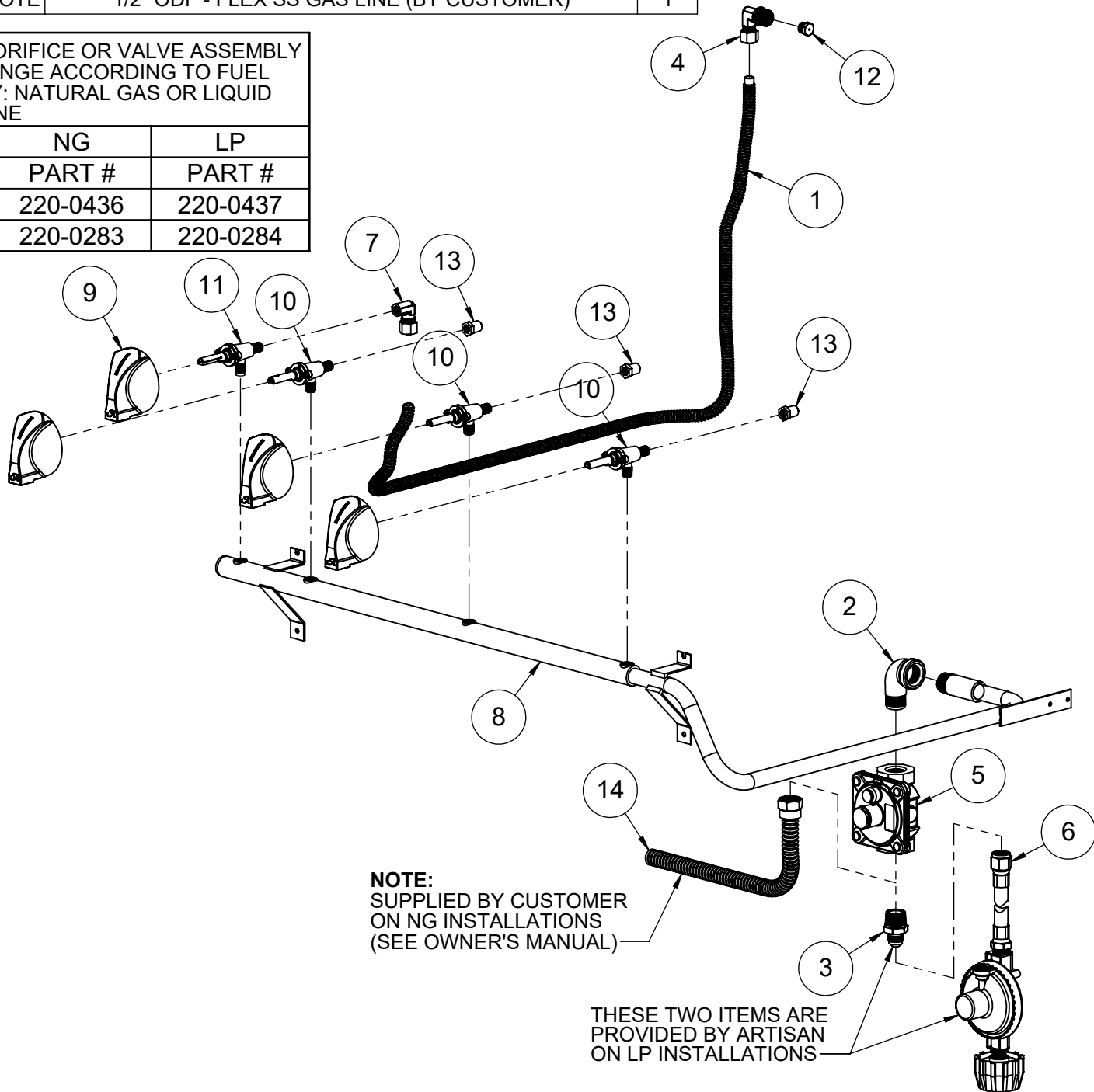
ITEM	PART #	DESCRIPTION	QTY
1	100-2024	FIREBOX TRAY SLIDE PART-A	2
2	100-2025	FIREBOX TRAY SLIDE PART-B	2
3	100-2370	ELECTRICAL BOX COVER	1
4	100-2373	BURNER BRACKET	3
5	100-2374	IGNITER COVER - STANDARD	3
6	100-2378	PERIMETER RING BRACKET	2
7	100-2666	BUTTONS SHIELD - BRACKET	1
8	100-2672	BACK HOOD - REAR COVER	1
9	100-2675	FIREWALL	1
10	150-2335	IR ORIFICE ACCESS COVER	1
11	200-0057	SCREW 1/4-20 X 1/2 - TRUSS HEAD - PHILLIPS	6
12	200-0062	10-32 X 3/4 - PAN HEAD - PHILLIPS SCREW	2
13	200-0082	10-32 X 1/4 - PAN HEAD - PHILIPS SCREW	2
14	200-0084	8-32 TINNEMAN® TYPE NUT - "J" CLIP	1
15	200-0100	SCREW 8-32 X 3/8" - PAN HEAD - PHILIPS - SS	1
16	200-0111	SCREW 8-18 X 1/2 - SELF TAP - 410 SS	46
17	200-0267	10-32 X 1/2 - PAN HEAD - PHILLIPS SCREW	8
18	510-0747	IGNITER BRACKET ASSEMBLY	1
19	510-0752	PERIMETER RING	1
20	510-0753	ROTISSERIE BURNER PANEL	1
21	510-0833	FIREBOX REAR COVER ASSEMBLY	1
22	510-1031	FIREBOX - RIVETED PARTS	1



ITEM	PART NO.	DESCRIPTION	QTY
1	100-1949	ROTISSERIE LINE - 36" L x 3/8" ID	1
2	200-0274	ELBOW 90° - CAST IRON - 1/2" FPT x 1/2" MPT	1
3	220-0275	NIPPLE - 1/2" MPT X 3/8" OD FL	1
4	220-0276	ELBOW .375 MPT x .375 COMP	1
5	220-0280	REGULATOR GAS - MAXITROL RV48CL440002	1
6	220-0301	REGULATOR - LP GAS W/36" HOSE - CONN. GREEN	1
7	220-0399	ELBOW 1/8-27 FPT x 3/8" Ø COMPRESSION	1
8	220-0469	GAS MANIFOLD - ARTP-32	1
9	290-0030	GAS KNOB WITH "A" LOGO	4
10	290-0320	VALVE - GAS - VARIABLE FLOW - 1/8-27 MPT X 1/8-27 NPTS	3
11	290-0321	VALVE - GAS - [ON/OFF] FLOW - 1/8-27 MPT X 1/8-27 NPTS	1
12	SEE NOTE	ORIFICE - IR ROTISSERIE UNIT (SEE NOTE FOR SIZING)	1
13	SEE NOTE	ORIFICE - MAIN BURNER - (SEE NOTE FOR SIZING)	3
14	SEE NOTE	1/2" ODF - FLEX SS GAS LINE (BY CUSTOMER)	1

**NOTE:** ORIFICE OR VALVE ASSEMBLY TO CHANGE ACCORDING TO FUEL SUPPLY: NATURAL GAS OR LIQUID PROPANE

ITEM	NG	LP
	PART #	PART #
12	220-0436	220-0437
13	220-0283	220-0284



ITEM	PART NUMBER	DESCRIPTION	QTY
1	210-0541	IGNITER WIRE KIT	1
2	210-0465	IGNITER MODULE (4 POINTS)	1
3	210-0240	ELECTRODE - DUAL TIP "L" SHAPE- ROTISSERIE	1
4	200-0009	HEYCO STRESS RELIEF BUSHING # 1200 SR 6N3-4	1
5	210-0640	HARNESS	1
6	210-0491	U-BURNER ELECTRODE TIP	3
7	210-0499	NEMA 5-15 - 90° PLUG 18/3	1
8	210-0488	LAMP FIXTURE ASSEMBLY - G9/120V/40W	1
9	210-0510	LAMP FIXTURE ASSEMBLY - G9/120V/40W	1

