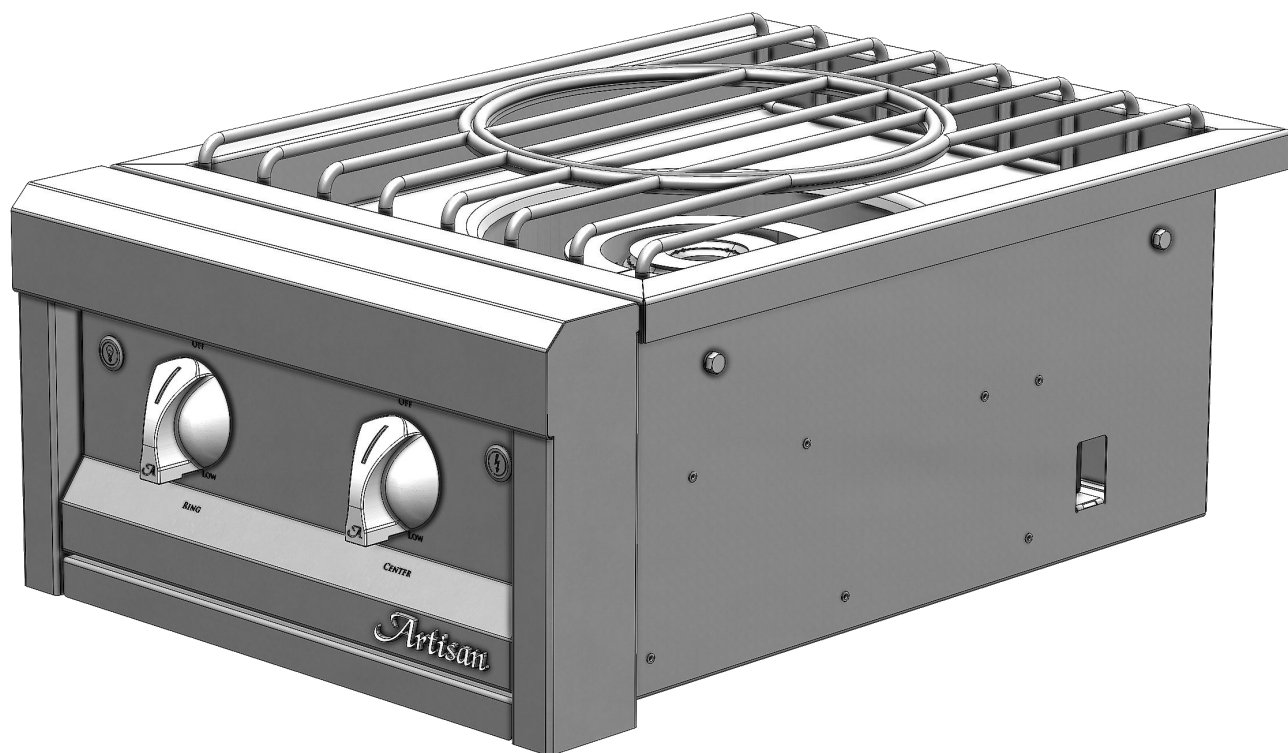


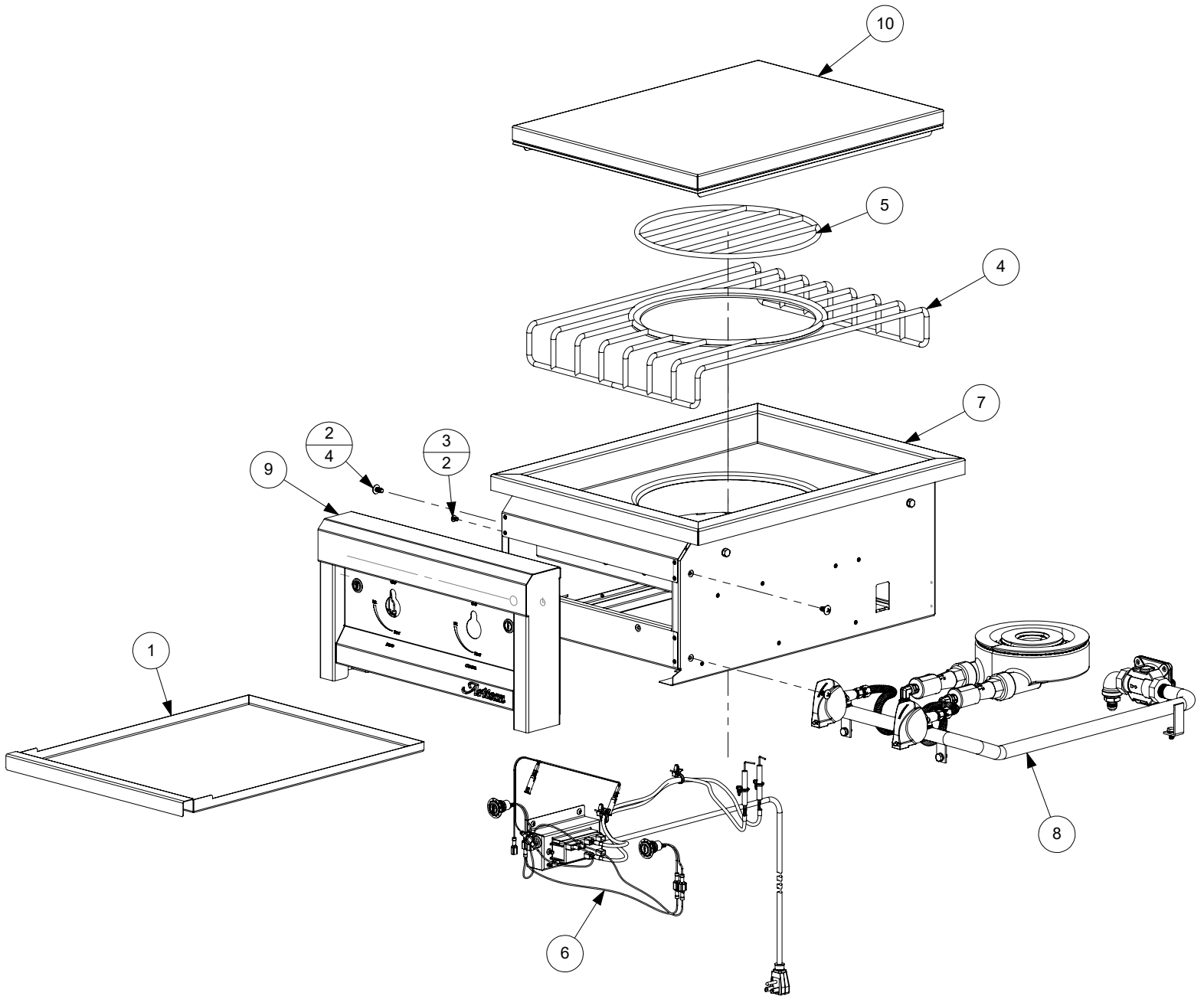
Artisan™



ARTP-PB BUILT-IN POWER BURNER UNIT SERIAL # UP TO 25-133999

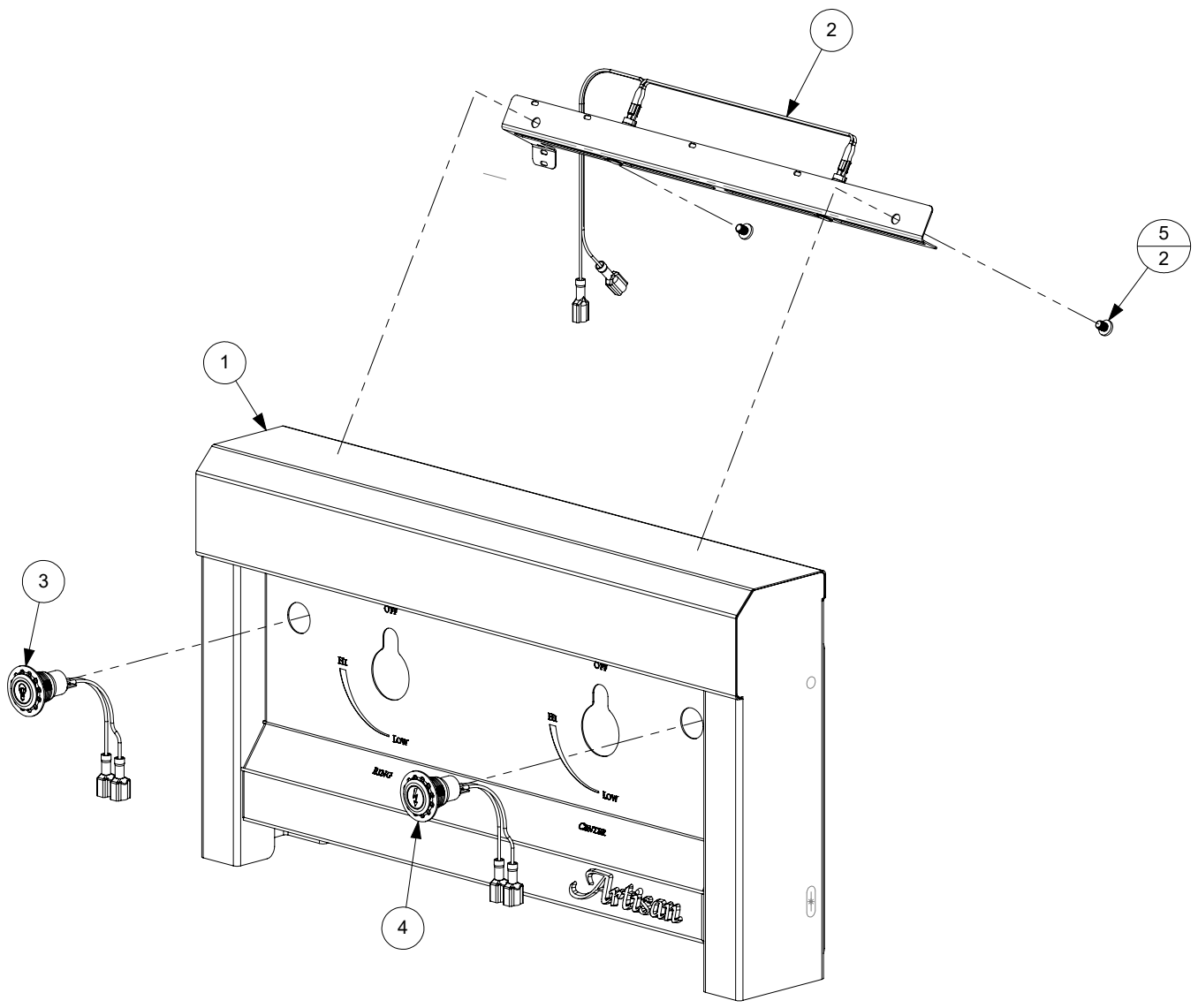
BILL OF MATERIAL

NO.	PART #	DESCRIPTION	QTY
1	115-0015	ARTP-PB-DRIP TRAY - DRIP TRAY	1
2	200-0057	SCRW 1/4-20 X 1/2" - TRUSS HEAD PHILIPS	4
3	200-0082	10-32 X 1/4 - PAN HEAD - PHILIPS SCREW	2
4	290-0589	ARTP-PB - MAIN GRATE - STIR FRY	1
5	290-0590	ARTP-PB - CENTER GRATE - STOCK POT	1
6	510-1240	ELECTRICAL ASSEMBLY	1
7	510-1490	ARTP-PB - FIREBOX ASSEMBLY.	1
8	510-1491	ARTP-SB2-MANIFOLD ASSEMBLY.	1
9	510-1494	ARTP-PB - FRONT PANEL.	1
10	510-1496	COVER ASSEMBLY	1



BILL OF MATERIAL

NO.	PART #	DESCRIPTION	QTY
5	200-0082	10-32 X 1/4 - PAN HEAD - PHILIPS SCREW	2
4	210-0583	SWITCH - IGNITION - MOMENTARY [ON]/OFF	1
3	210-0584	SWITCH - LIGHT - LATCHING [ON/OFF]	1
1	510-1492	ARTP-PB - FRONT PANEL. WLDMTS.	1
2	510-1493	ARTP-PB - LIGHT ASSEMBLY	1



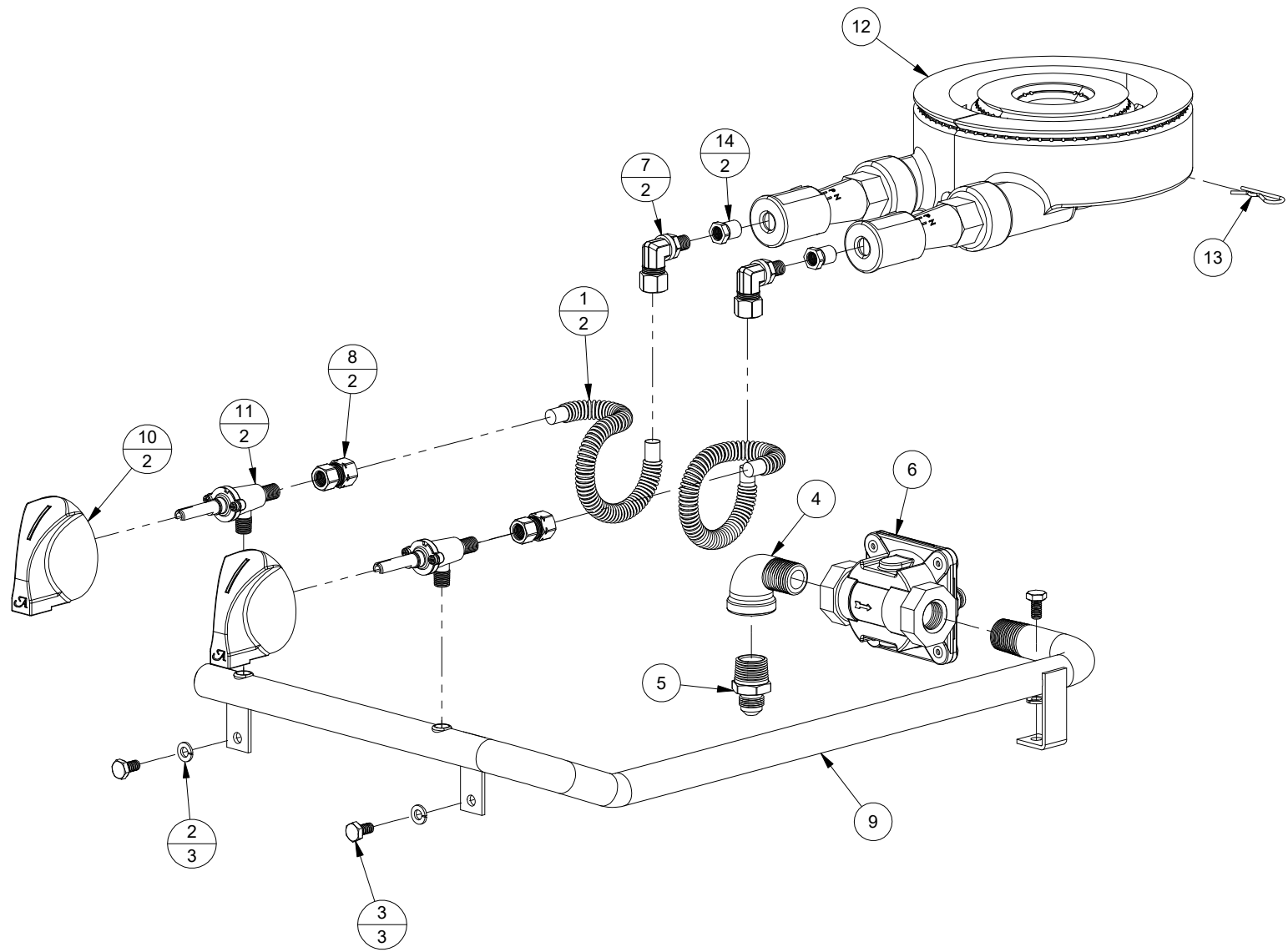
BILL OF MATERIAL

NO.	PART #	DESCRIPTION	QTY
1	100-0917	3/8" Ø X 8" FLEX GAS LINE	2
2	200-0087	WASHER, 1/4" - SPRING LOCK - SS	3
3	200-0089	BOLT - HEX HEAD 1/4-20 x 1/2" L	3
4	200-0274	ELBOW, STREET, 1/2" NPT X 1/2" NPT-F, BLACK IRON	1
5	220-0275	NIPPLE, 1/2" NPT X 3/8" OD 45° FLARE, BRASS	1
6	220-0280	REGULATOR GAS - MAXITROL RV48CL440002, 5" w.c.	1
7	220-0293	ELBOW, 3/8-27 UNS x M6-.75 INT x 3/8" COMP., BRASS	2
8	220-0438	COUPLING, 1/8-27 NPT-Female X 3/8" COMP., BRASS	2
9	220-0530	ARTP-PB MANIFOLD	1
10	290-0030	GAS KNOB WITH "A" LOGO	2
11	290-0320	GAS VALVE - 1/8-27 MPT X 1/8-27 NPTS	2
12	290-0591	POWER BURNER	1
13	SEE NOTE	18-8 SS HAIRPIN COTTER PIN	1
14	SEE NOTE	GAS ORIFICE	2

EACH IS BENT FOR LEFT AND RIGHT SIDE.

INCLUDED WITH PART NUMBER 12

FUEL	PART NUMBER (GA)	
	CENTER	PERIMETER
NG	220-0436 (42)	220-0370 (30)
LG	220-0471 (56)	220-0290 (52)



BILL OF MATERIAL

NO.	PART #	DESCRIPTION	QTY
1	100-3082	J-BOX	1
2	210-0464	IGNITER MODULE (2 POINTS)	1
3	200-0009	STRESS RELIEF BUSHING	1
4	200-0004	GROMMET 9/16" OD, 1/16" MAT'L, 7/16" ID	1
5	210-0499	CABLE 115/120V 10A 18/3 SJTOW - 96"- 90° PLUG NEMA 5-15	1
6	210-0258	CABLE TIE - T&B L-5-50PM-9	2
7	210-0789	IGNITION WIRE - 1/8" FEMALE SPADE CONNECTOR	2
8	210-0790	ARTP-PB WIRING KIT	1
9	210-0498	ELECTRODE "L" SHAPED - AGVPC RING BURNER	2
10	210-0624	LIGHT - BLUE LED - 8mm Ø - 110 VAC	2
11	210-0788	LED - FRONT PANEL HARNESS FOR ARTP-PB	1
12	210-0583	SWITCH - IGNITION - MOMENTARY [ON]/OFF	1
13	210-0584	SWITCH - LIGHT - LATCHING [ON/OFF]	1
14	200-0111	SCREW 8-18 X 1/2 - SELF TAP - 410 SS	2
15	200-0320	SCREW 8-32 X 3/8 - GROUNDING SCREW	1
16	200-0267	SCREW 10-32 X 1/2 - PAN HEAD - PHILLIPS	2

