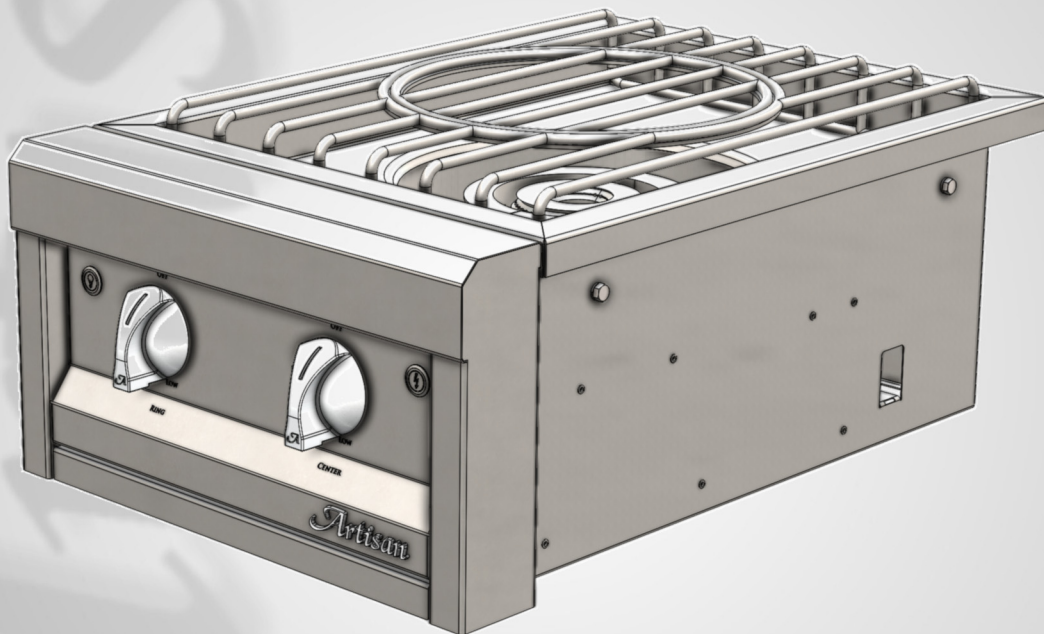


Artisan™

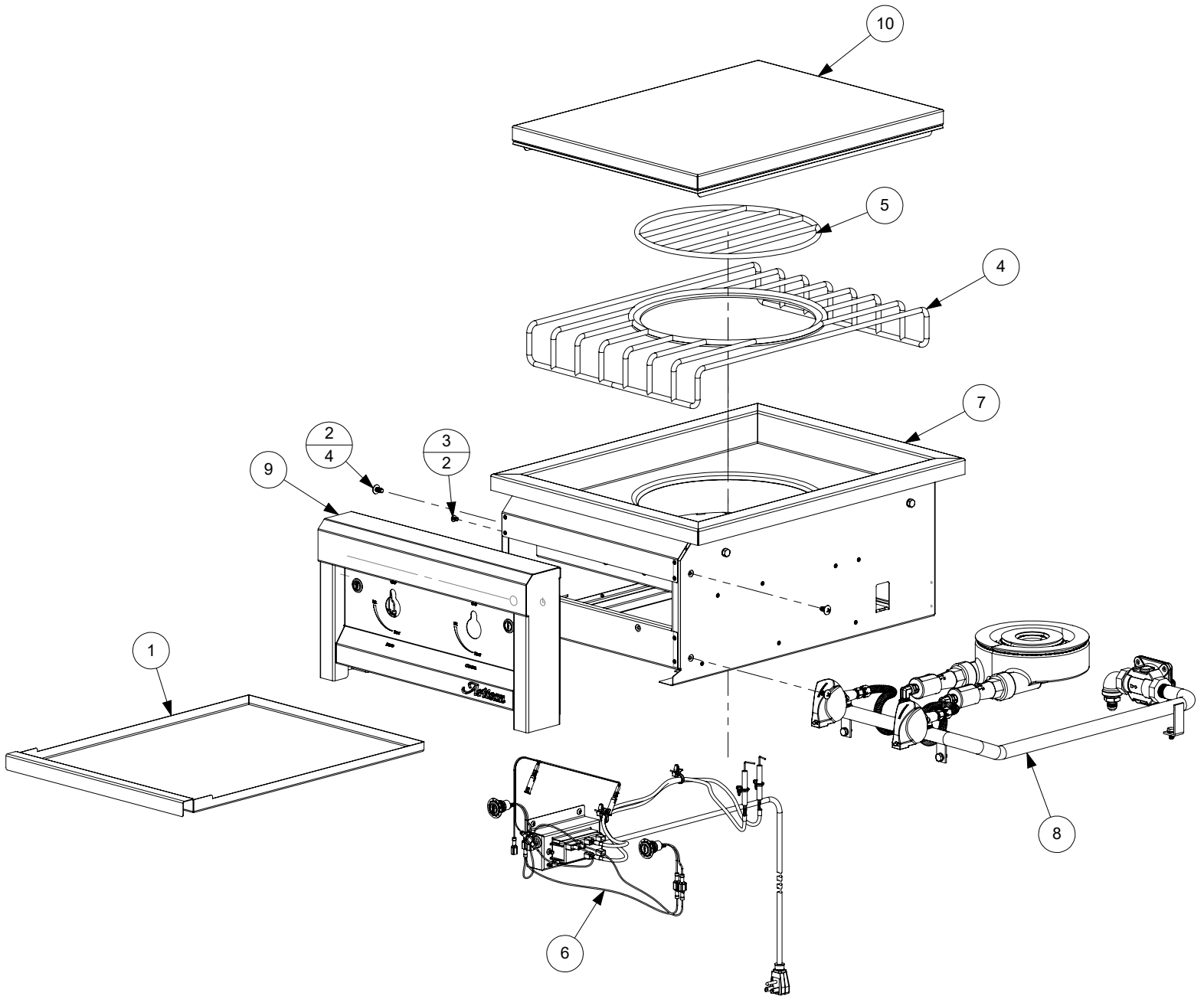
Professional Grills by Alfresco



PARTS MANUAL
ARTP-18PB MODEL
SN 25-134000 FORWARD

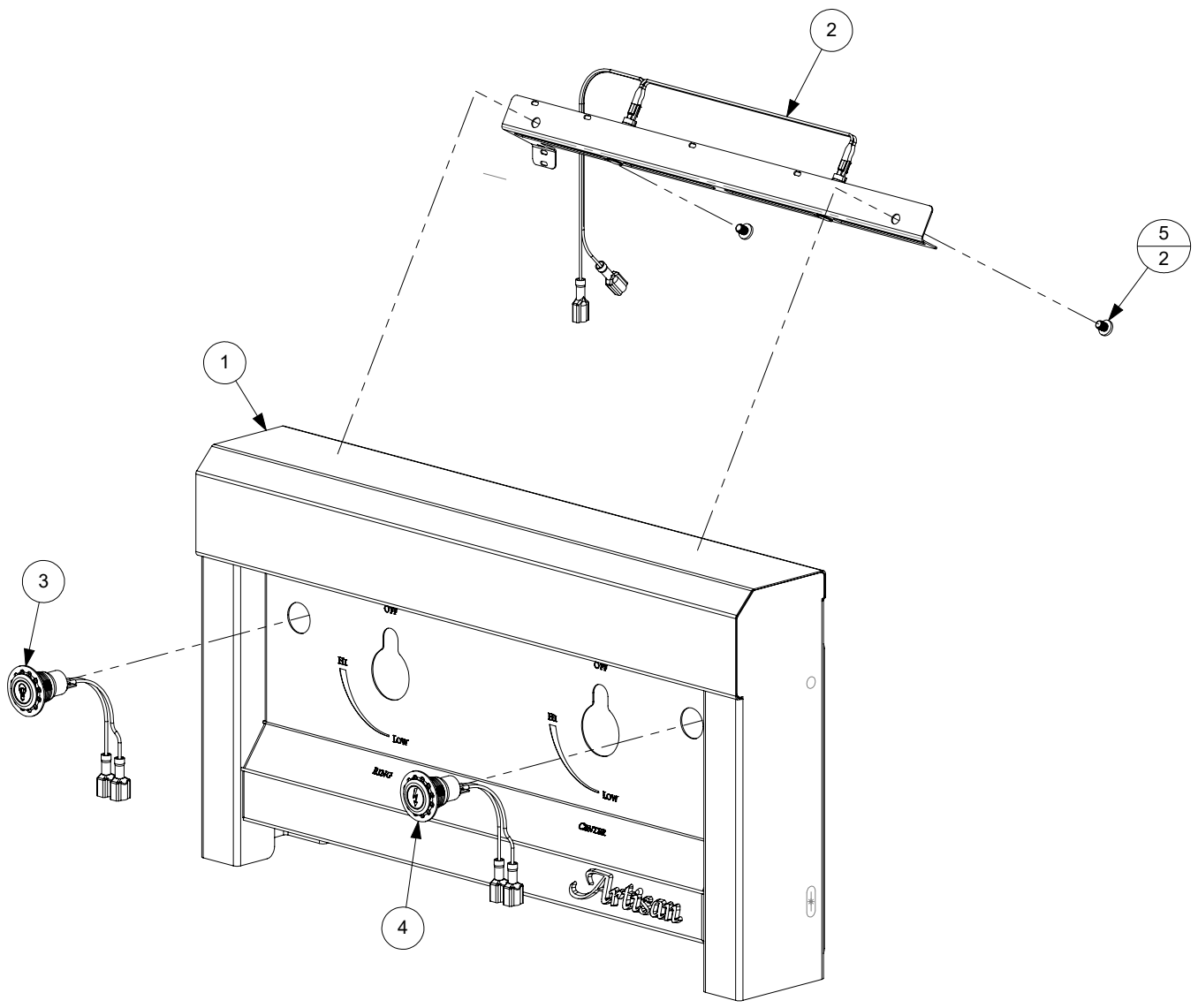
BILL OF MATERIAL

NO.	PART #	DESCRIPTION	QTY
1	115-0015	ARTP-PB-DRIP TRAY - DRIP TRAY	1
2	200-0057	SCRW 1/4-20 X 1/2" - TRUSS HEAD PHILIPS	4
3	200-0082	10-32 X 1/4 - PAN HEAD - PHILIPS SCREW	2
4	290-0589	ARTP-PB - MAIN GRATE - STIR FRY	1
5	290-0590	ARTP-PB - CENTER GRATE - STOCK POT	1
6	510-1240	ELECTRICAL ASSEMBLY	1
7	510-1490	ARTP-PB - FIREBOX ASSEMBLY.	1
8	510-1491	ARTP-SB2-MANIFOLD ASSEMBLY.	1
9	510-1494	ARTP-PB - FRONT PANEL.	1
10	510-1496	COVER ASSEMBLY	1



BILL OF MATERIAL

NO.	PART #	DESCRIPTION	QTY
5	200-0082	10-32 X 1/4 - PAN HEAD - PHILIPS SCREW	2
4	210-0583	SWITCH - IGNITION - MOMENTARY [ON]/OFF	1
3	210-0584	SWITCH - LIGHT - LATCHING [ON/OFF]	1
1	510-1492	ARTP-PB - FRONT PANEL. WLDMTS.	1
2	510-1493	ARTP-PB - LIGHT ASSEMBLY	1

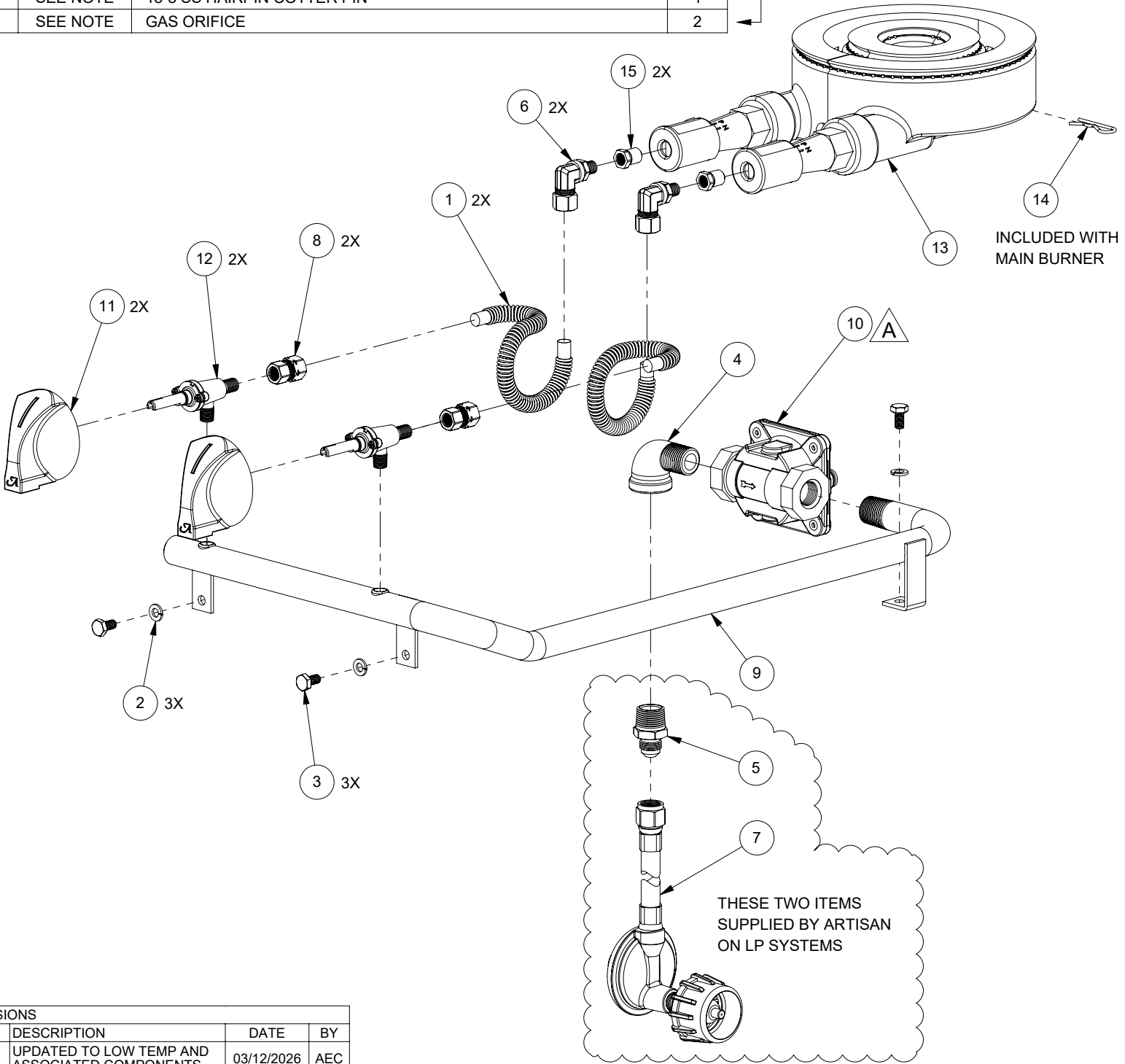


BILL OF MATERIAL

NO.	PART #	DESCRIPTION	QTY
1	100-0917	3/8" Ø X 8" FLEX GAS LINE	2
2	200-0087	WASHER, 1/4" - SPRING LOCK - SS	3
3	200-0089	BOLT - HEX HEAD 1/4-20 x 1/2" L	3
4	200-0274	ELBOW, STREET, 1/2" NPT X 1/2" NPT-F, BLACK IRON	1
5	220-0275	NIPPLE, 1/2" NPT X 3/8" OD 45° FLARE, BRASS	1
6	220-0293	ELBOW, 3/8-27 UNS x M6-.75 INT x 3/8" COMP., BRASS	2
7	220-0430	REGULATOR - SINGLE STAGE- LP GAS W/ 36" HOSE - 90° - BLACK	1
8	220-0438	COUPLING, 1/8-27 NPT-Female X 3/8" COMP., BRASS	2
9	220-0530	ARTP-PB MANIFOLD	1
10	220-0555	REGULATOR GAS - LOW TEMP - 4/10" W.C. CONV.	1
11	290-0030	GAS KNOB WITH "A" LOGO	2
12	290-0320	GAS VALVE - 1/8-27 MPT X 1/8-27 NPTS	2
13	290-0591	POWER BURNER	1
14	SEE NOTE	18-8 SS HAIRPIN COTTER PIN	1
15	SEE NOTE	GAS ORIFICE	2

← EACH IS BENT FOR LEFT AND RIGHT SIDE.

FUEL	PART NUMBER (GA)	
	CENTER	PERIMETER
NG	220-0436 (42)	220-0370 (30)
LG	220-0471 (56)	220-0290 (52)



REVISIONS			
REV.	DESCRIPTION	DATE	BY
A	UPDATED TO LOW TEMP AND ASSOCIATED COMPONENTS	03/12/2026	AEC

Artisan™
 SUPERIOR EQUIPMENT SOLUTIONS
 1085 BIXBY DRIVE
 CITY OF INDUSTRY, CA. 91745

THE INFORMATION CONTAINED IN THIS DRAWING IS THE SOLE PROPERTY OF SUPERIOR EQUIPMENT SOLUTIONS INC. ANY REPRODUCTION IN PART OR AS A WHOLE WITHOUT WRITTEN PERMISSION FROM SUPERIOR EQUIPMENT SOLUTIONS, INC. IS PROHIBITED.

DRAWN BY: Ethan M
LAST SAVED: 3/30/2026 1:18:53 PM

PROJECT TITLE:
 ARTP-18PB

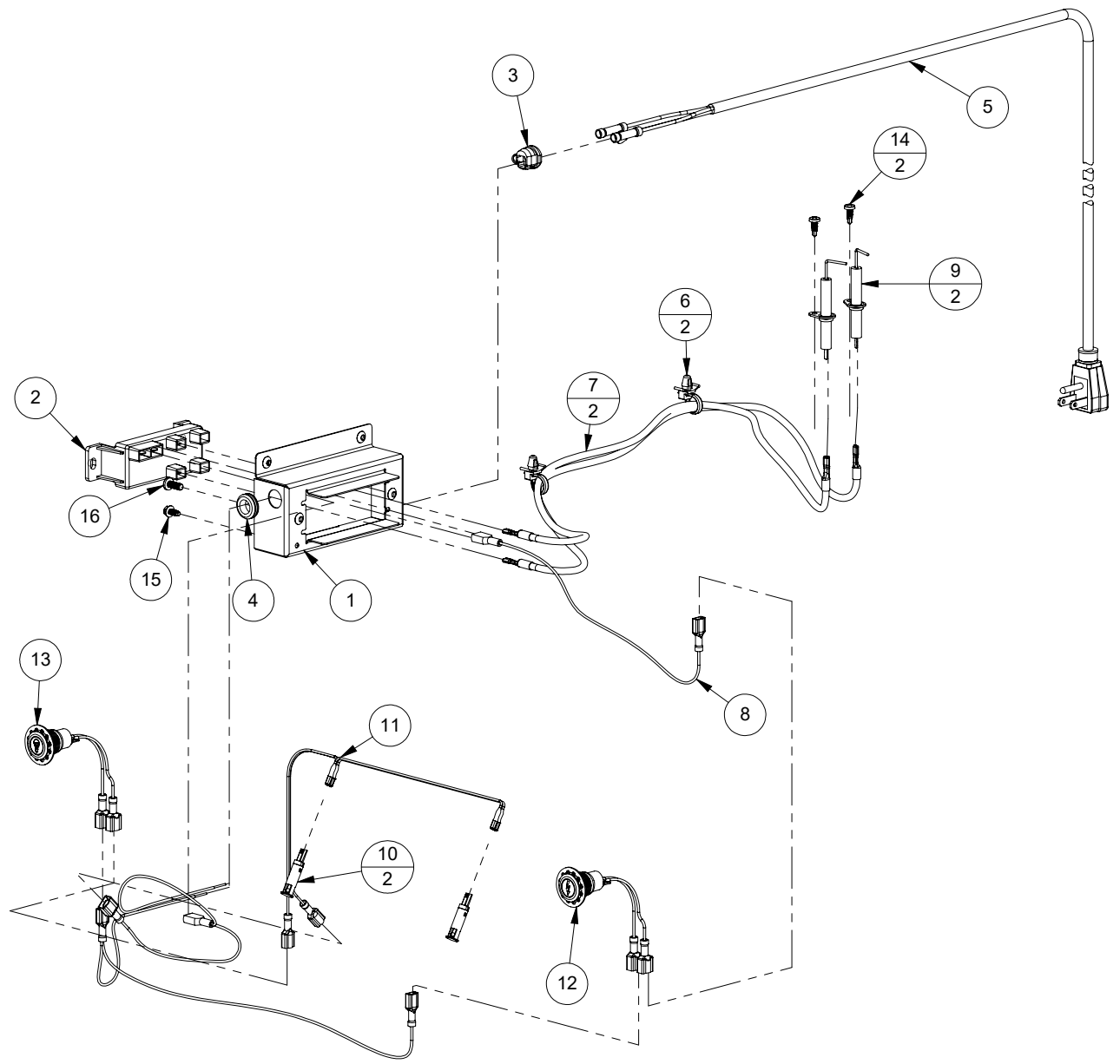
DRAWING TITLE:
 ARTP-18PB MANIFOLD ASSEMBLY

DRAWING NO.:
 510-1491 M1

SHEET 1 OF 1

BILL OF MATERIAL

NO.	PART #	DESCRIPTION	QTY
1	100-3082	J-BOX	1
2	210-0464	IGNITER MODULE (2 POINTS)	1
3	200-0009	STRESS RELIEF BUSHING	1
4	200-0004	GROMMET 9/16" OD, 1/16" MAT'L, 7/16" ID	1
5	210-0499	CABLE 115/120V 10A 18/3 SJTOW - 96"- 90° PLUG NEMA 5-15	1
6	210-0258	CABLE TIE - T&B L-5-50PM-9	2
7	210-0789	IGNITION WIRE - 1/8" FEMALE SPADE CONNECTOR	2
8	210-0790	ARTP-PB WIRING KIT	1
9	210-0498	ELECTRODE "L" SHAPED - AGVPC RING BURNER	2
10	210-0624	LIGHT - BLUE LED - 8mm Ø - 110 VAC	2
11	210-0788	LED - FRONT PANEL HARNESS FOR ARTP-PB	1
12	210-0583	SWITCH - IGNITION - MOMENTARY [ON]/OFF	1
13	210-0584	SWITCH - LIGHT - LATCHING [ON/OFF]	1
14	200-0111	SCREW 8-18 X 1/2 - SELF TAP - 410 SS	2
15	200-0320	SCREW 8-32 X 3/8 - GROUNDING SCREW	1
16	200-0267	SCREW 10-32 X 1/2 - PAN HEAD - PHILLIPS	2



Artisan[™]
Professional Grills by Alfresco