

Artisan™

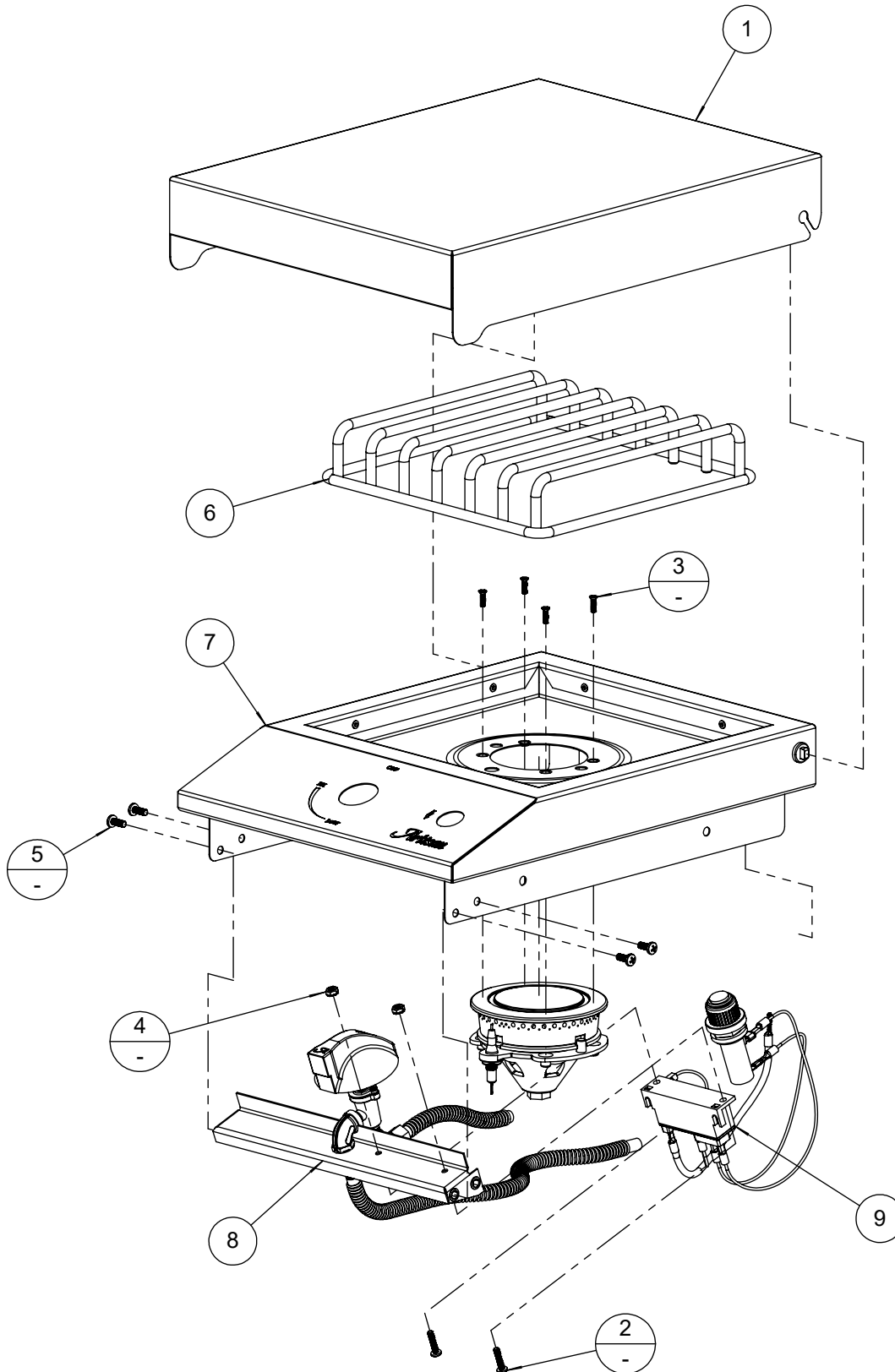
Professional Grills by Alfresco



PARTS MANUAL
ART-SB1 MODEL
SN 17-100000 FORWARD

BILL OF MATERIALS

ITEM	PART N°	DESCRIPTION	QTY
1	100-2925	ART-SB1 REMOVABLE COVER	1
2	200-0079	8-32 X 3/4 - PAN HEAD - PHILIPS SCREW	2
3	200-0098	SCREW 6-32 X 1/2" - FLAT HEAD 82° - PHILIPS	4
4	200-0206	8-32 KEP NUT 18-8 STAINLESS	2
5	200-0267	10-32 X 1/2 - PAN HEAD - PHILLIPS SCREW	4
6	290-0340	ART-SB1 GRID	1
7	510-0615	ART-SB1 SIDE BURNER MAIN BODY	1
8	510-0618	ART-SB1 SIDE BURNER PIPING - <i>SEE PARTS DRAWING</i>	1
9	510-0658	ARTISAN ART-SB1 ELECTRICAL - <i>SEE PARTS DRAWING</i>	1



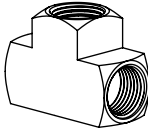
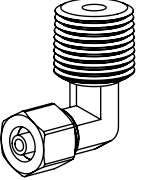
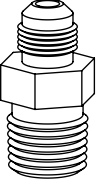
BILL OF MATERIALS

ITEM	PART N°	DESCRIPTION	QTY.
1	100-0914	GAS LINE - 3/8" Ø X 42" L - FLEX RIBBED - SS	1
2	100-0917	3/8"Ø SS X 8" L GAS LINE - FLEX RIBBED - SS	1
3	220-0399	ELBOW 1/8-27 FPT x 3/8" Ø COMPRESSION	1
4	220-0410	NIPPLE 1/8 NPT x 3/8 UNF (OD) - BRASS	1
5	290-0030	KNOB BBQ - ALFRESCO "A" LETTER	1
6	290-0320	VALVE - GAS - VARIABLE FLOW - 1/8-27 MPT X 1/8-27 NPTS	1
7	510-0616	ART-SB1 SIDE BURNER VALVE BRAKET ASSEMBLY	1
8	SEE NOTE	SIDE BURNER ASSEMBLY >>> SEE NOTE	1

NOTE: COMPLETE BURNER KIT

NG	290-0342
LP	290-0343

ADDITIONAL COMPONENTS PROVIDED AS REQUIRED

220-0412 1/2" NPTF TEE BRASS	
220-0411 1/2" NPT X 3/8 ODF ELBOW - BRASS	
220-0405 1/2" NPT X 3/8 ODF NIPPLE- STEEL FOR LP SYSTEMS ONLY!	

REPLACEMENT EXTERIOR CAP 290-0072

REPLACEMENT INTERIOR CAP 290-0222

REPLACEMENT ELECTRODE 290-0074 (INCLUDES SPRING AND CLIP)

BURNER BODY 290-0344

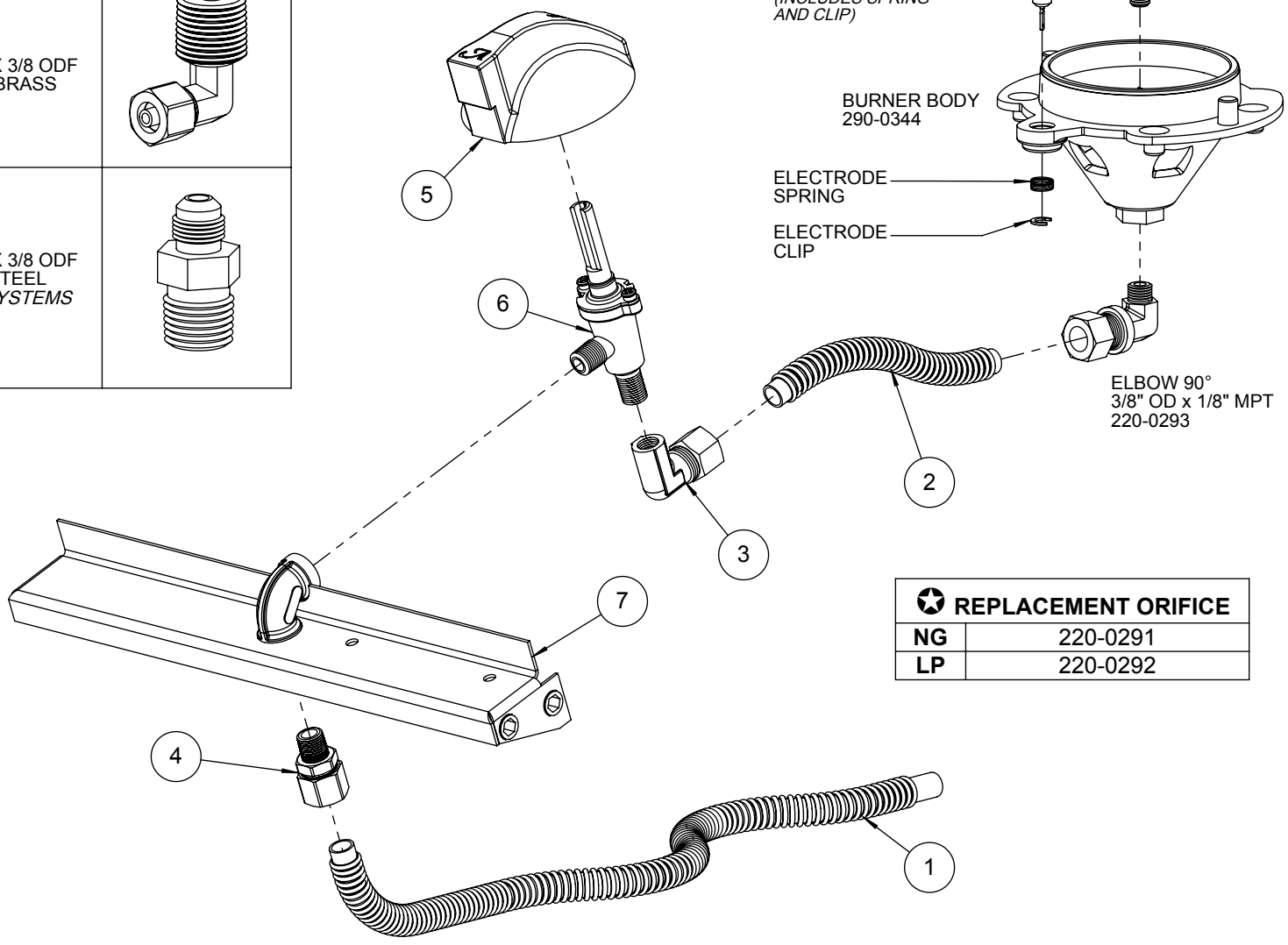
ELECTRODE SPRING

ELECTRODE CLIP

ELBOW 90° 3/8" OD x 1/8" MPT 220-0293

REPLACEMENT ORIFICE

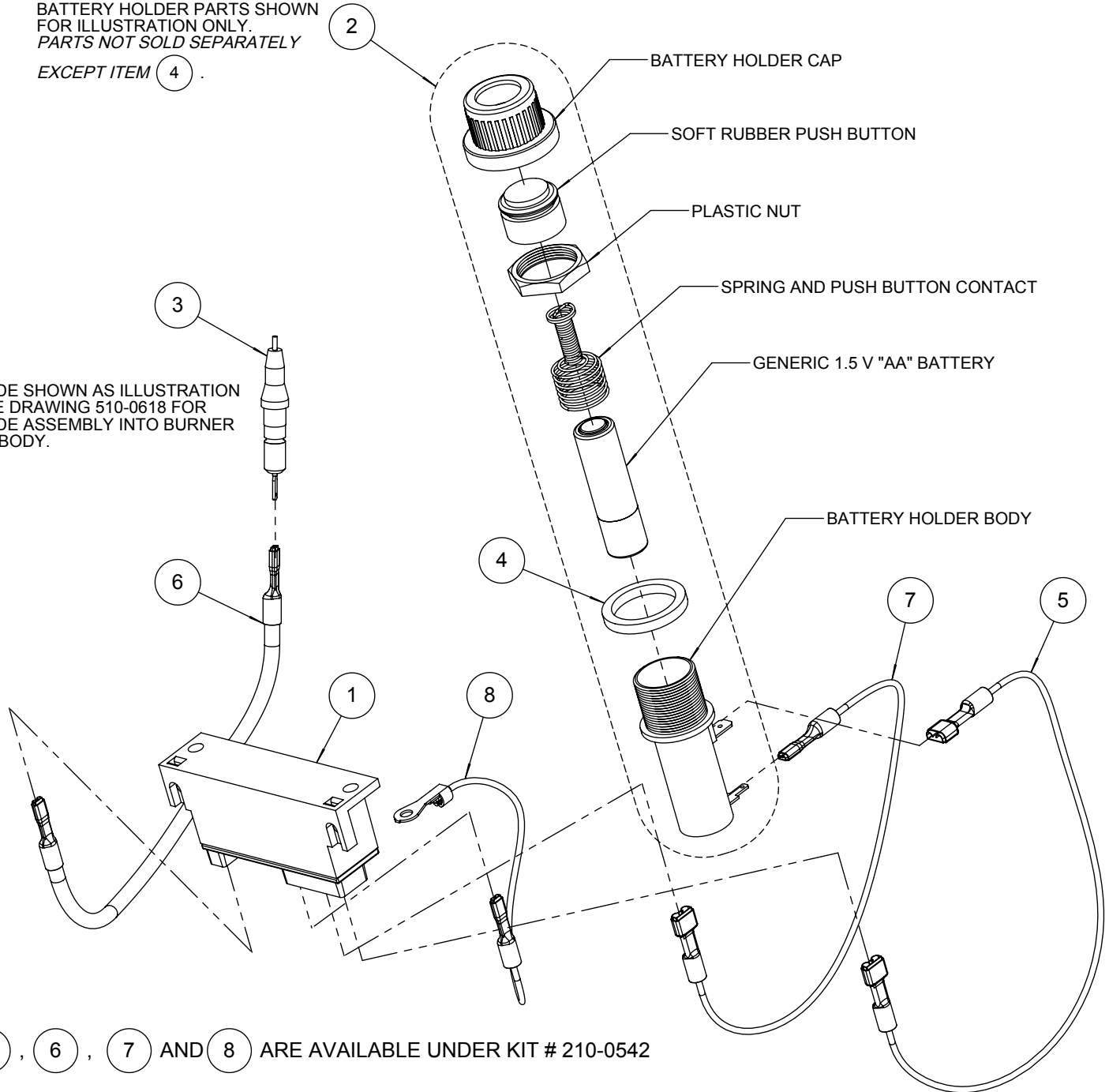
NG	220-0291
LP	220-0292



BILL OF MATERIALS

ITEM	PART N°	DESCRIPTION	QTY
1	210-0226	ARTISAN SIDE BURNER IGNITER MODULE	1
2	210-0228	ARTISAN SIDE BURNER IGNITER BATTERY HOLDER	1
3	290-0074	ARTISAN SIDE BURNER ELECTRODE	1
4	290-0341	O-RING 7/8 x 1 1/8 x 1/8 - SQUARE - BUNA -N	1
5	SEE NOTE	ARTISAN IGNITER WIRE - 10" LONG - BATTERY (-)	1
6	SEE NOTE	ARTISAN IGNITER WIRE - 10" LONG - ELECTRODE	1
7	SEE NOTE	ARTISAN IGNITER WIRE - 9" LONG - BATTERY (+)	1
8	SEE NOTE	ARTISAN IGNITER WIRE - 9" LONG - GROUND	1

BATTERY HOLDER PARTS SHOWN FOR ILLUSTRATION ONLY. PARTS NOT SOLD SEPARATELY EXCEPT ITEM 4.



ELECTRODE SHOWN AS ILLUSTRATION ONLY. SEE DRAWING 510-0618 FOR ELECTRODE ASSEMBLY INTO BURNER KIT MAIN BODY.

NOTE:

ITEMS 5, 6, 7 AND 8 ARE AVAILABLE UNDER KIT # 210-0542
 ITEMS ARE NOT SOLD SEPARATELY.



THE INFORMATION CONTAINED IN THIS DRAWING IS THE SOLE PROPERTY OF SUPERIOR EQUIPMENT SOLUTIONS INC. ANY REPRODUCTION IN PART OR AS A WHOLE WITHOUT WRITTEN PERMISSION FROM SUPERIOR EQUIPMENT SOLUTIONS, INC. IS PROHIBITED.
DRAWN BY: ADRIAN CRISCI
CREATED: 7/12/2011 10:47:19 AM

PROJECT TITLE:
 ARTISAN SIDE BURNER
DRAWING TITLE:
 ARTISAN ART-SB1 ELECTRICAL PARTS

DRAWING NO.:
 510-0658 MANUAL
 SHEET 1 OF 1

Artisan[™]

Professional Grills by Alfresco