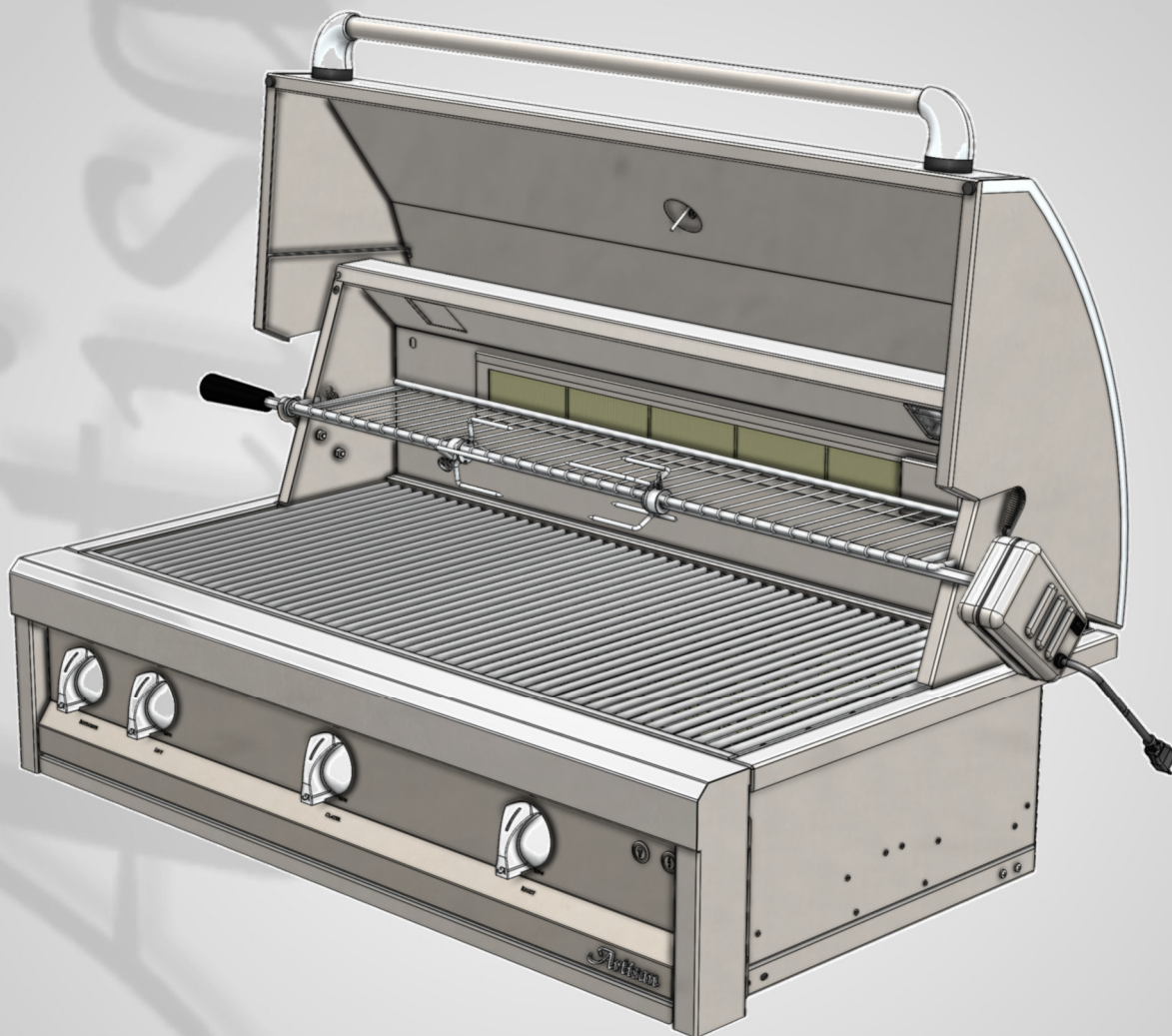


# Artisan™

Professional Grills by Alfresco



***PARTS MANUAL***  
***ART-42 & ARTP-42 MODELS***  
***SN 25-134000 FORWARD***

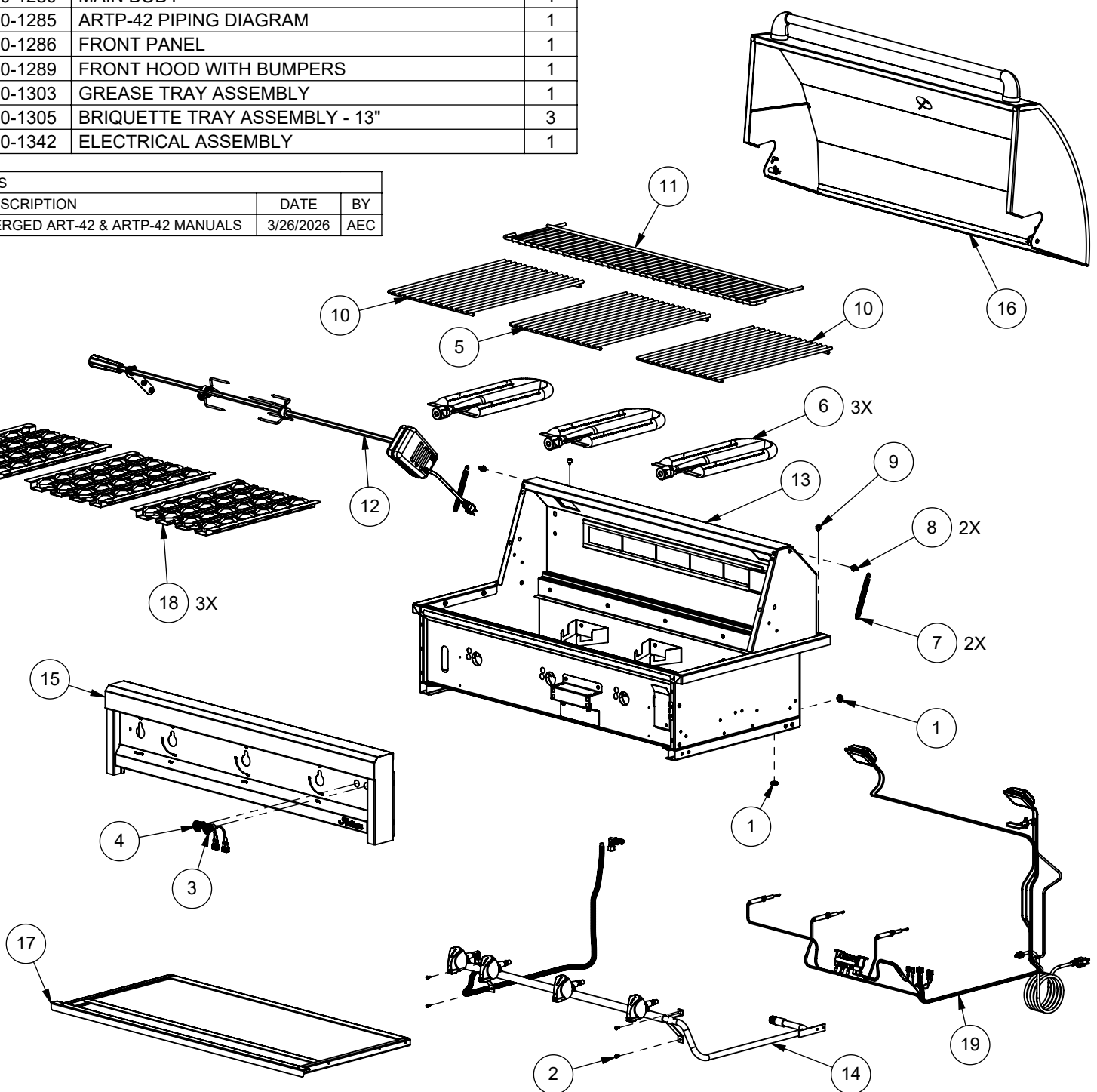
**BILL OF MATERIAL**

NO.	PART #	DESCRIPTION	QTY
1	200-0004	GROMMET 9/16" OD, 1/16" MAT'L, 7/16" ID	2
2	200-0111	SCREW, SMS, 8-18 X 1/2", PH, PAN, TEK, 410 SS	4
3	210-0583	SWITCH - IGNITION - MOMENTARY [ON]/OFF	1
4	210-0584	SWITCH - LIGHT - LATCHING [ON/OFF]	1
5	290-0324	BBQ GRID - 13.8125" WIDE	1
6	290-0355	U-BURNER	3
7	290-0443	SPRING TEMPERED- .513 OD x 4.875 L	2
8	290-0447	HOOD SPRING LATCH	2
9	290-0469	BUMPER 1/2" Ø x 5/16" H - 600 °F	2
10	290-0501	BBQ GRID - 12.8125" WIDE	2
11	290-0504	WARMING GRID	1
12	510-1257	ROTISSERIE KIT	1
13	510-1280	MAIN BODY	1
14	510-1285	ARTP-42 PIPING DIAGRAM	1
15	510-1286	FRONT PANEL	1
16	510-1289	FRONT HOOD WITH BUMPERS	1
17	510-1303	GREASE TRAY ASSEMBLY	1
18	510-1305	BRIQUETTE TRAY ASSEMBLY - 13"	3
19	510-1342	ELECTRICAL ASSEMBLY	1

**A**

**NOTE:** ALTERNATE PARTS AND COMPONENTS BETWEEN ART-42 AND ARTP-42 GRILLS ARE LOCATED IN THESE ASSEMBLIES: (13) (14) (15) AND (19)  
REFER TO THE APPROPRIATE DOCUMENTS FOR CORRECT PARTS FOR EACH MODEL

REVISIONS			
REV.	DESCRIPTION	DATE	BY
A	MERGED ART-42 & ARTP-42 MANUALS	3/26/2026	AEC

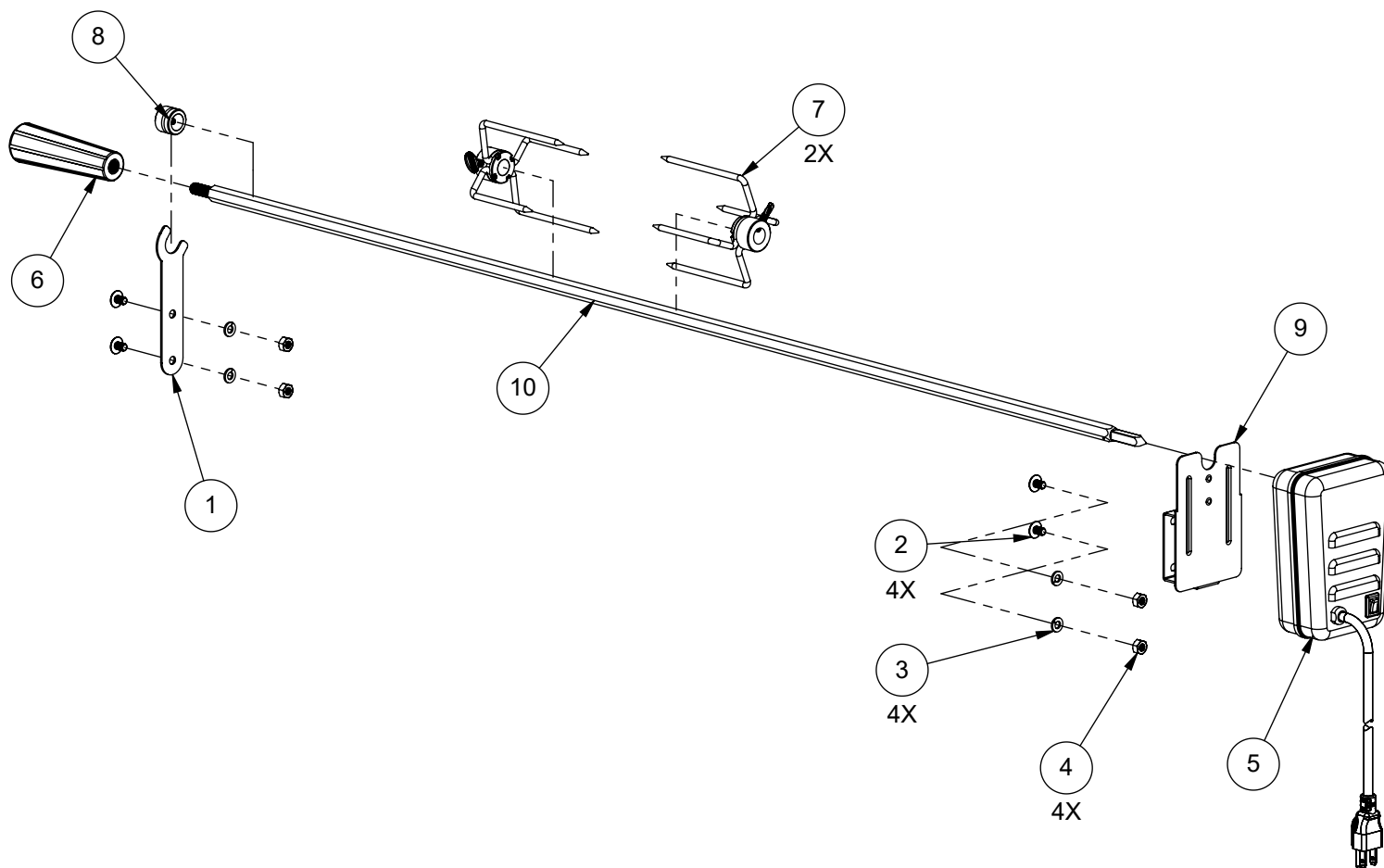


**BILL OF MATERIALS**

ITEM	PART N°	DESCRIPTION	QTY
1	100-2366	ROTISSERIE HOLDER BRACKET	1
2	200-0086	SCREW 1/4-20 X 3/8" - TRUSS HEAD PHILIPS	4
3	200-0087	WASHER, 1/4" - SPRING LOCK - SS	4
4	200-0090	1/4-20 - DOUBLE CHAMFER - HEX NUT	4
5	210-0493	ROTISSERIE MOTOR	1
6	290-0330	ROTISSERIE SPEAR HANDLE	1
7	290-0331	ROTISSERIE FORK ASSEMBLY	2
8	290-0332	ROTISSERIE BUSHING ASSEMBLY	1
9	290-0333	ROTISSERIE MOTOR MOUNT	1
10	290-0500	ROTISSERIE SPEAR 42" BBQ	1

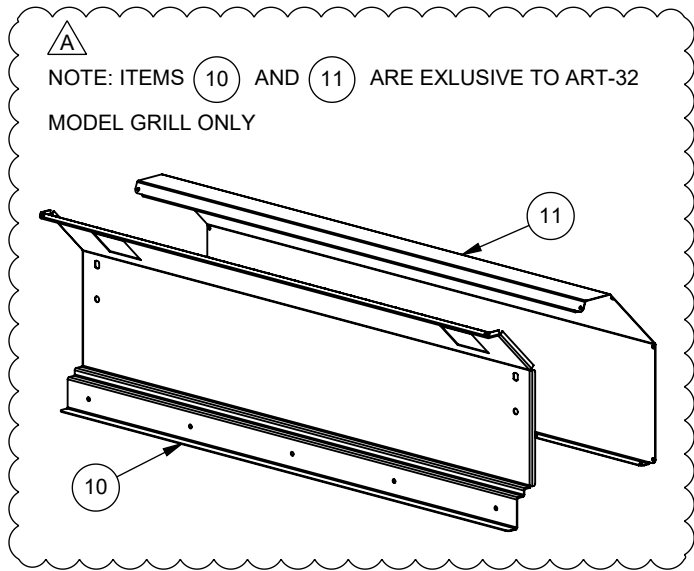
**REVISIONS**

REV.	DESCRIPTION	DATE	BY
A	UPDATED DRAWING	3/26/2026	AEC

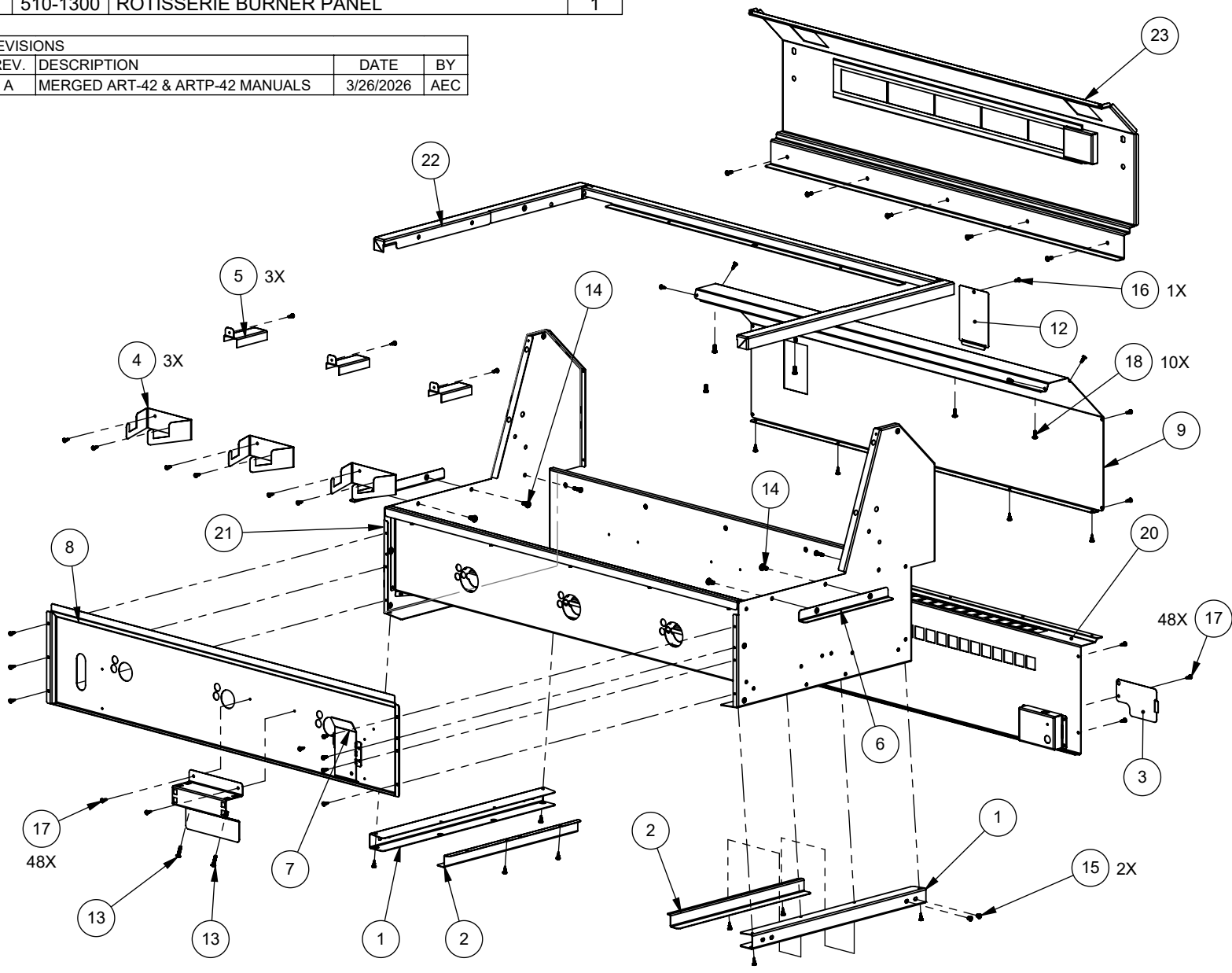


**BILL OF MATERIAL**

NO.	PART #	DESCRIPTION	QTY
1	100-2024	FIREBOX TRAY SLIDE PART-A	2
2	100-2025	FIREBOX TRAY SLIDE PART-B	2
3	100-2370	ELECTRICAL BOX COVER	1
4	100-2373	BURNER BRACKET	3
5	100-2374	IGNITER COVER - STANDARD	3
6	100-2378	PERIMETER RING BRACKET	2
7	100-2666	BUTTONS SHIELD - BRACKET	1
8	100-3167	FIREWALL	1
9	100-3173	BACK HOOD - REAR COVER	1
10	100-4051	BACK HOOD - ROTISSERIE PANEL	1
11	100-4052	BACK HOOD - REAR COVER	1
12	150-2335	IR ORIFICE ACCESS COVER	1
13	200-0062	SCREW 10-32 X 3/4 - PAN HEAD - PHILLIPS	4
14	200-0064	1/4-20 X 1/2 - PAN HEAD - PHILIPS SCREW	4
15	200-0082	10-32 X 1/4 - PAN HEAD - PHILLIPS SCREW	2
16	200-0100	SCREW 8-32 X 3/8 PAN HD PHILLIPS, SS	1
17	200-0111	SCREW, SMS, 8-18 X 1/2", PH, PAN, TEK, 410 SS	48
18	200-0267	SCREW 10-32 X 1/2 - PAN HEAD - PHILLIPS	10
19	510-0747	IGNITER BRACKET ASSEMBLY	1
20	510-0865	ART2-36 FIREBOX REAR COVER ASSEMBLY	1
21	510-1281	FIREBOX - RIVETED PARTS	1
22	510-1288	PERIMETER RING	1
23	510-1300	ROTISSERIE BURNER PANEL	1



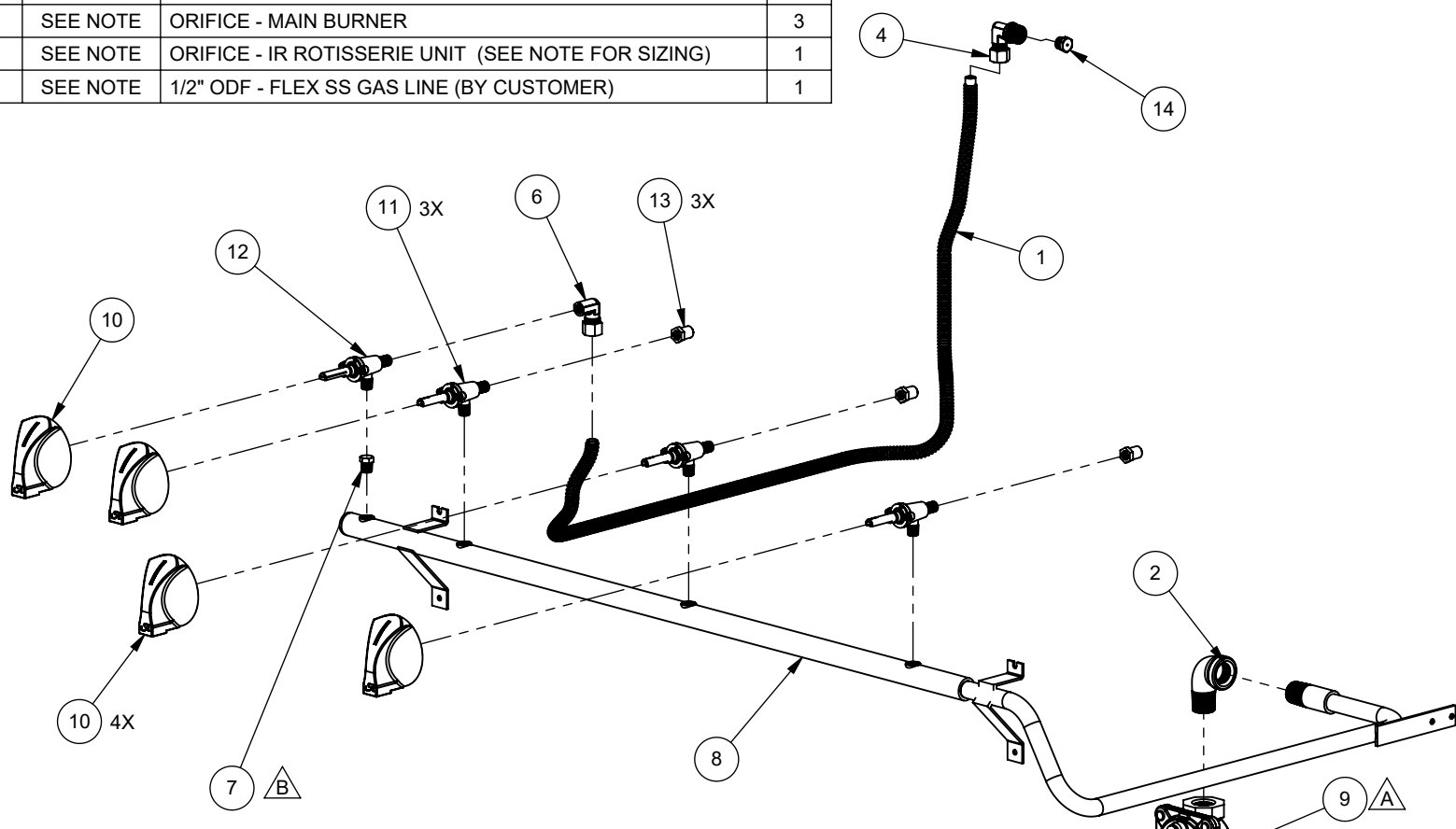
REVISIONS			
REV.	DESCRIPTION	DATE	BY
A	MERGED ART-42 & ARTP-42 MANUALS	3/26/2026	AEC



ITEM	PART #	DESCRIPTION	QTY
1	100-1949	ROTISSERIE LINE - 36" L x 3/8" ID	1
2	200-0274	ELBOW, STREET, 1/2" NPT X 1/2" NPT-F, BLACK IRON	1
3	220-0275	NIPPLE, 1/2" NPT X 3/8" OD 45° FLARE, BRASS	1
4	220-0276	ELBOW, 3/8" NPT X 1/8 NPT-F INT. x 3/8" COMP., BRASS	1
5	220-0301	REGULATOR - SINGLE STAGE- LP GAS W/36" HOSE - GREEN	1
6	220-0399	ELBOW, 1/8-27 NPT-F x 3/8" COMP. BRASS	1
7	220-0434	PLUG, 1/8" NPT, HEX HEAD HOLLOW, BRASS	1
8	220-0495	GAS MANIFOLD ARTP-42	1
9	220-0555	REGULATOR GAS - LOW TEMP - 4/10" W.C. CONV.	1
10	290-0030	KNOB BBQ - ALFRESCO "A" LETTER	4
11	290-0320	GAS VALVE - 1/8-27 MPT X 1/8-27 NPTS	3
12	290-0321	VALVE - GAS - [ON/OFF] FLOW - 1/8-27 MPT X 1/8-27 NPTS	1
13	SEE NOTE	ORIFICE - MAIN BURNER	3
14	SEE NOTE	ORIFICE - IR ROTISSERIE UNIT (SEE NOTE FOR SIZING)	1
15	SEE NOTE	1/2" ODF - FLEX SS GAS LINE (BY CUSTOMER)	1

**NOTE: ORIFICE OR VALVE ASSEMBLY TO CHANGE ACCORDING TO FUEL TYPE: NATURAL GAS OR LIQUID PROPANE.**

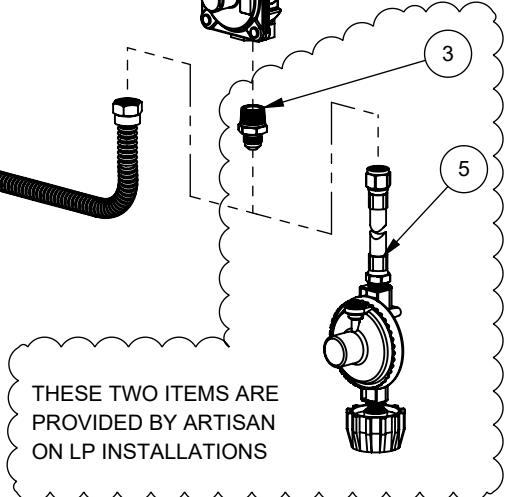
ITEM	NG PART #	LP PART #
13 3X	220-0643	220-0437
14	220-0285	220-0286



**NOTE:**

- ITEM 7 ONLY AVAILABLE IN ART-42 MODEL
- ITEMS 1, 4, 6, 10, 12 AND 14 NOT AVAILABLE ON ART-42 MODEL

**NOTE:**  
SUPPLIED BY CUSTOMER  
ON NG INSTALLATIONS  
(SEE OWNER'S MANUAL)



REV.	DESCRIPTION	DATE	BY
A	UPDATED TO LOW TEMP AND ASSOCIATED COMPONENTS	3/12/2026	AEC
B	MERGED ART-42 & ARTP-42 MANUALS	3/26/2026	AEC

**Artisan™**  
SUPERIOR EQUIPMENT SOLUTIONS  
1085 BIXBY DRIVE  
CITY OF INDUSTRY, CA. 91745

THE INFORMATION CONTAINED IN THIS DRAWING IS THE SOLE PROPERTY OF SUPERIOR EQUIPMENT SOLUTIONS INC. ANY REPRODUCTION IN PART OR AS A WHOLE WITHOUT WRITTEN PERMISSION FROM SUPERIOR EQUIPMENT SOLUTIONS, INC. IS PROHIBITED.

**DRAWN BY:** Jpelayo  
**LAST SAVED:** 3/26/2026 11:59:41 AM

**PROJECT TITLE:**  
ART-42 & ARTP-42

**DRAWING TITLE:**  
ARTP-42 PIPING DIAGRAM

**DRAWING NO.:**  
510-1285M

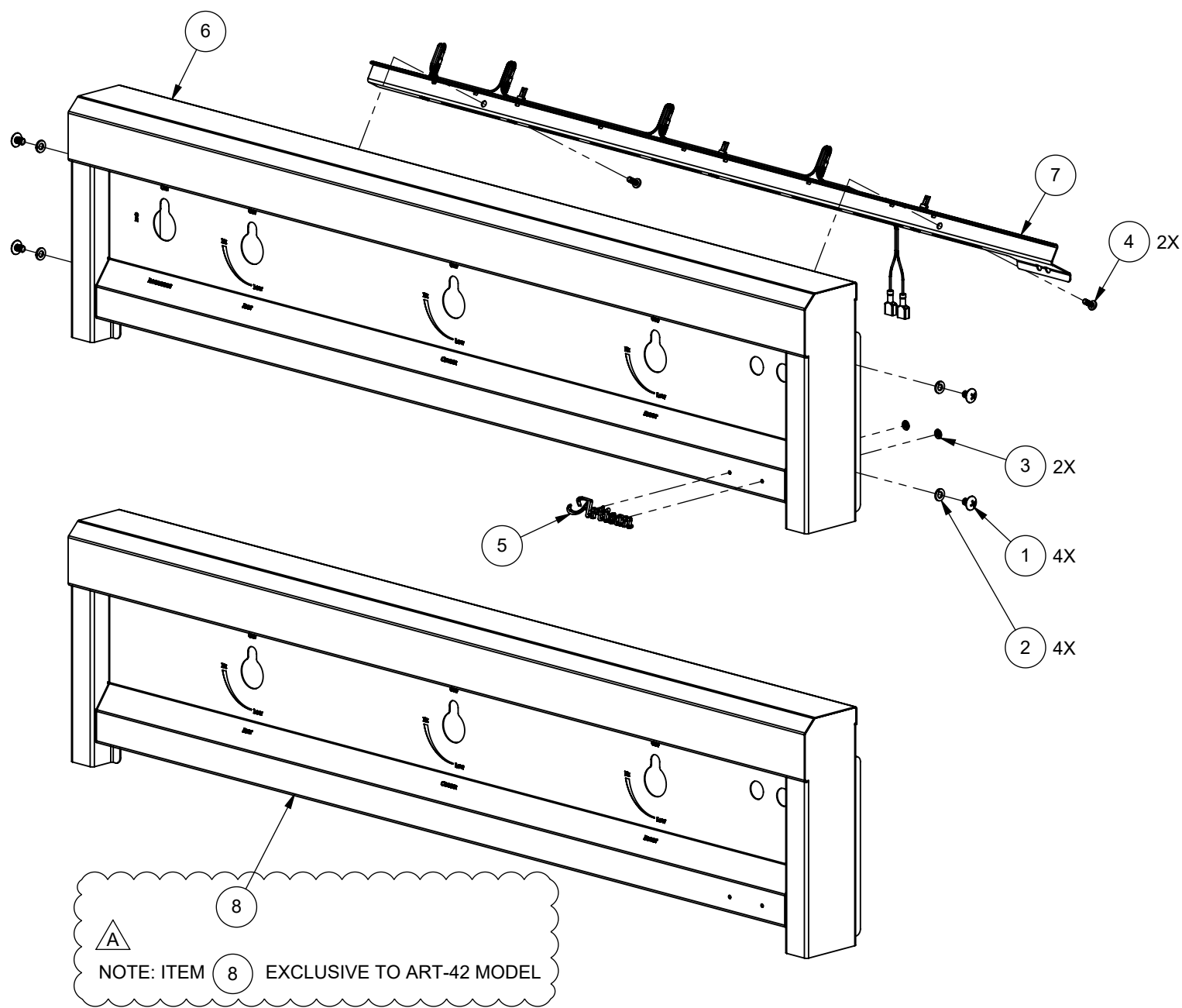
SHEET 1 OF 1

**BILL OF MATERIAL**

NO.	PART #	DESCRIPTION	QTY
1	200-0086	SCREW 1/4-20 X 3/8" - TRUSS HEAD PHILIPS	4
2	200-0087	WASHER, 1/4" - SPRING LOCK - SS	4
3	200-0093	WASHER, PUSH LOCK, 1/8" ID X 3/8" OD (LOGO)	2
4	200-0267	SCREW 10-32 X 1/2 - PAN HEAD - PHILLIPS	2
5	290-0356	ARTISAN LOGO	1
6	510-1287	FRONT PANEL - WELDED PARTS	1
7	510-1302	FRONT PANEL - LIGHT ASSEMBLY	1
8	510-1712	FRONT PANEL - WELDED PARTS	1

**REVISIONS**

REV.	DESCRIPTION	DATE	BY
A	MERGED ART-42 AND ARTP-42 MANUALS	3/26/2026	AEC



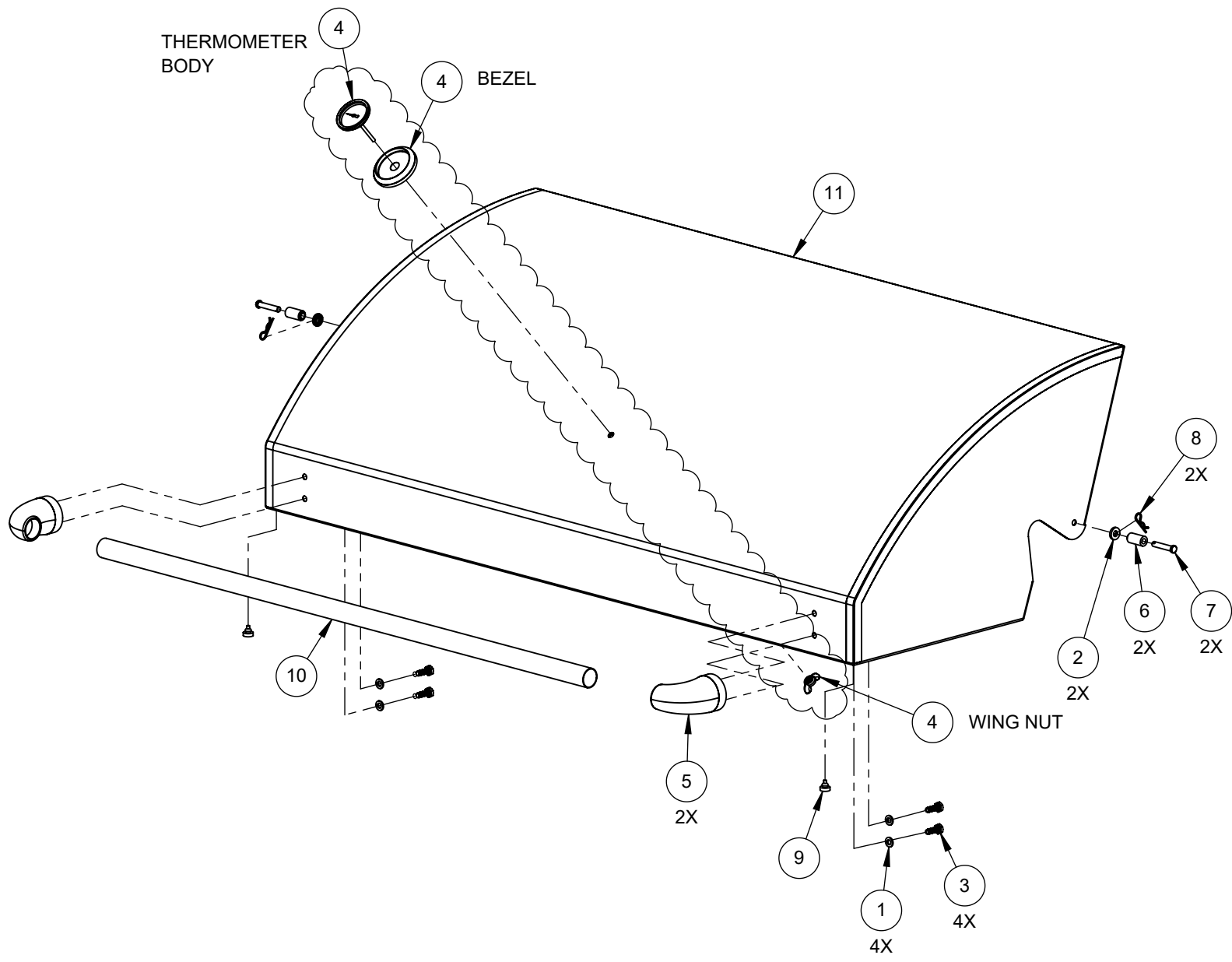
**A**  
NOTE: ITEM **8** EXCLUSIVE TO ART-42 MODEL

**BILL OF MATERIAL**

NO.	PART #	DESCRIPTION	QTY
1	200-0087	WASHER, 1/4" - SPRING LOCK - SS	4
2	200-0092	1/4 X 1/8 X 5/8 FLAT WASHER - SPACER	2
3	200-0242	BOLT 1/4-20 UNC x 3/4 - HEX HEAD - SS	4
4	210-0490	THERMOMETER ASSEMBLY	1
5	290-0063	HANDLE - END CAP ASSEMBLY	2
6	290-0444	SPACER - 1/2" OD x 1/4" ID	2
7	290-0445	CLEVIS PIN - 1/4"Ø x 1-3/8	2
8	290-0448	COTTER PIN - HAIRPIN 1/4" ~ 3/8" Pin Ø x 1-1/4" L x 5/64" WIRE	2
9	290-0465	BUMPER 600°F 1/2" DIA x 5/32" HEAD	2
10	290-0510	42" BBQ - FRONT HOOD HANDLE BAR	1
11	510-1290	FRONT HOOD - WELDED PARTS - W/BUMPER	1

**REVISIONS**

REV.	DESCRIPTION	DATE	BY
A	MERGED ART-42 & ARTP-42 MANUALS	3/26/2026	AEC

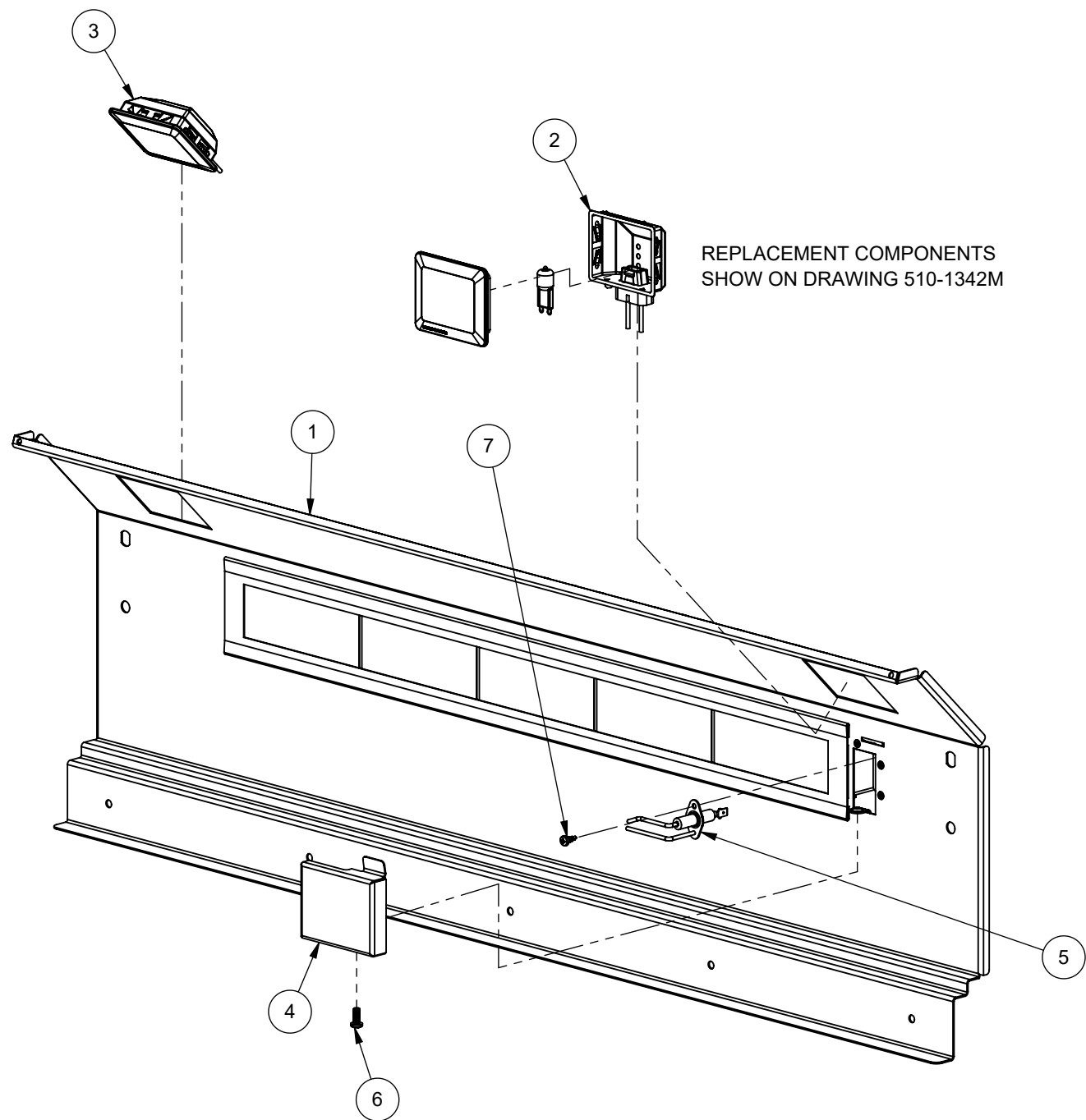


**BILL OF MATERIAL**

NO.	PART #	DESCRIPTION	QTY
1	510-1301	ROTISSERIE PANEL - WELDED PARTS	1
2	210-0488	LAMP FIXTURE ASSEMBLY - G9/120V/40W	1
3	210-0660	LAMP FIXTURE ASSEMBLY - G9/120V/40W	1
4	100-2363	ROTISSERIE ELECTRODE COVER	1
5	210-0240	ELECTRODE - DUAL TIP "L" SHAPE- ROTISSERIE	1
6	200-0267	SCREW 10-32 X 1/2 - PAN HEAD - PHILLIPS	1
7	200-0111	SCREW, SMS, 8-18 X 1/2", PH, PAN, TEK, 410 SS	1

**REVISIONS**

REV.	DESCRIPTION	DATE	BY
A	UPDATED DRAWING	3/26/2026	AEC

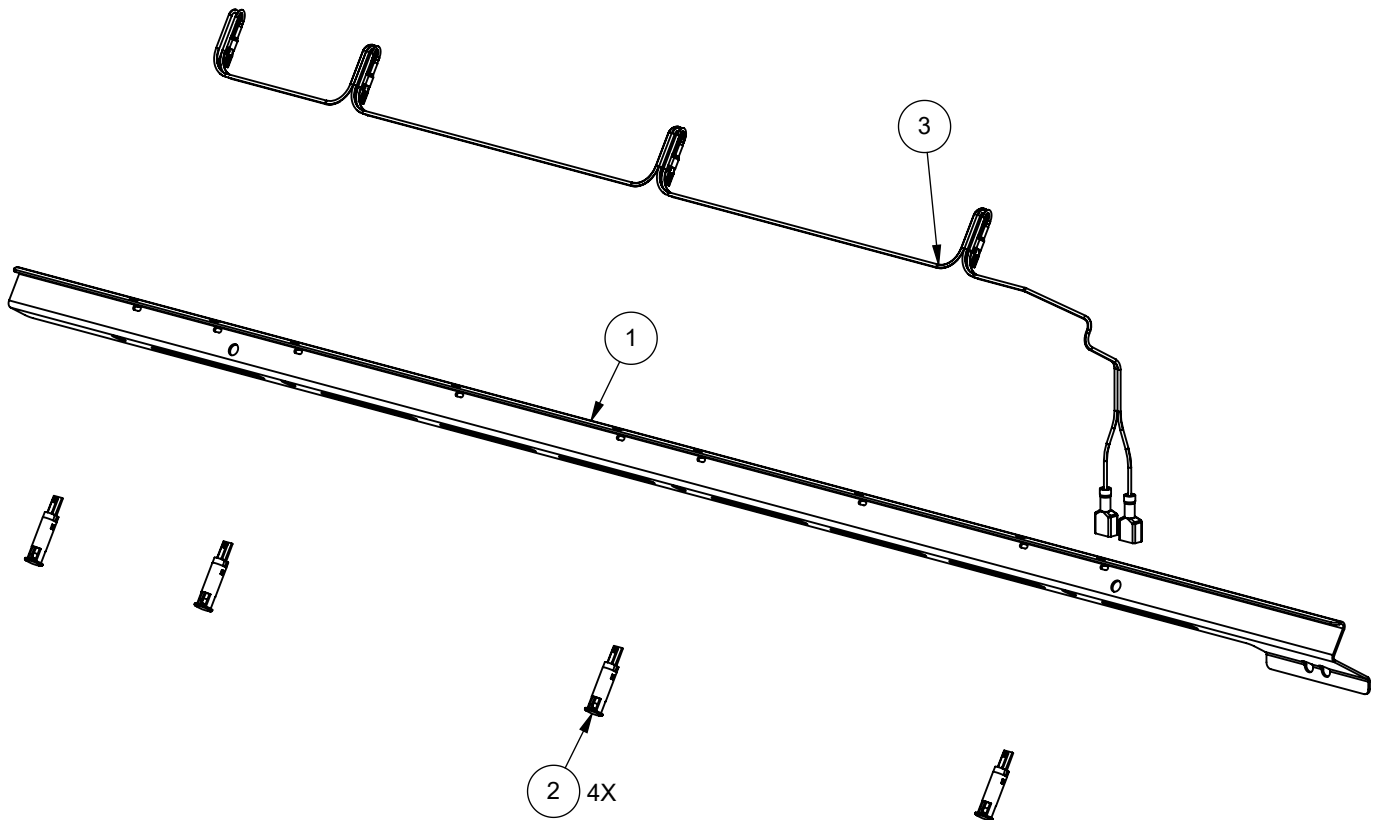


**BILL OF MATERIAL**

NO.	PART #	DESCRIPTION	QTY
1	100-3177	FRONT PANEL LIGHT BRACKET	1
2	210-0624	LIGHT - BLUE LED - 8mm Ø - 110 VAC	4
3	210-0629	FRONT PANEL - LIGHT ASSEMBLY	1

**REVISIONS**

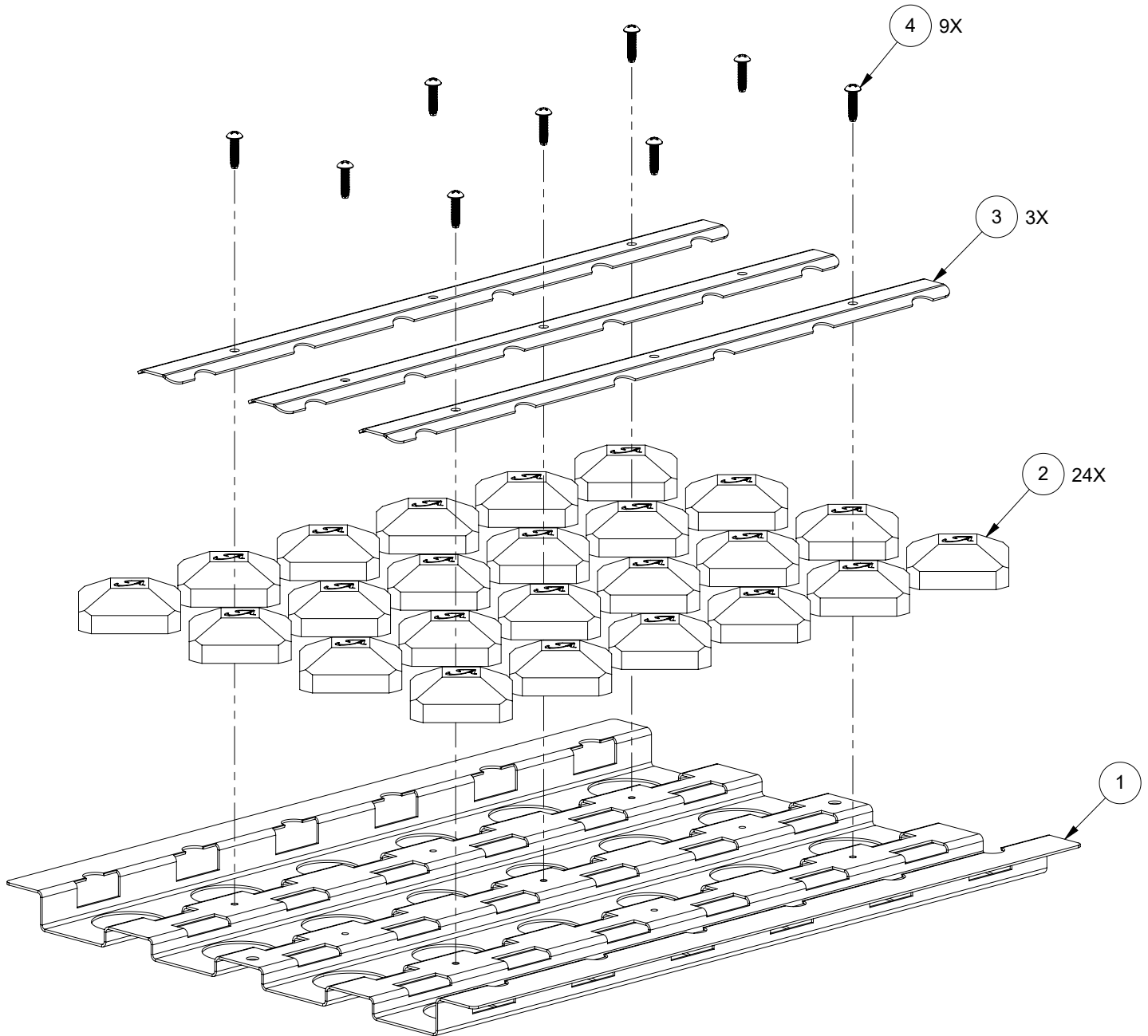
REV.	DESCRIPTION	DATE	BY
A	MERGED ART-42 & ARTP-42 MANUALS	3/26/2026	AEC



**BILL OF MATERIAL**

NO.	PART #	DESCRIPTION	QTY
1	100-3194	BRIQUETTE TRAY BASE - 13" WIDE	1
2	265-0005	CERAMIC BRIQUETTE W/ LOGO	24
3	100-1895	BRIQUETTE LOCK BAR	3
4	200-0314	SCREW, SMS, 8-32 x 5/8", PH, PAN, TYPE F, 410 SS	9

REVISIONS			
REV.	DESCRIPTION	DATE	BY
A	MERGED ART-42 & ARTP-42 MANUALS	3/26/2026	AEC



**BILL OF MATERIAL**

NO.	PART #	DESCRIPTION	QTY
1	200-0009	STRAIN RELIEF, Ø.625 MOUNT HOLE X .062 THK., NYLON 6/6	1
2	210-0240	ELECTRODE - DUAL TIP "L" SHAPE- ROTISSERIE	1
3	210-0287	BLACK POWER SUPPLY CORD 125V 15A 14/3 X 8FT LONG	1
4	210-0465	IGNITER MODULE (4 POINTS)	1
5	210-0488	LAMP FIXTURE ASSEMBLY - G9/120V/40W	1
6	210-0491	U-BURNER ELECTRODE TIP	3
7	210-0510	LAMP FIXTURE ASSEMBLY - G9/120V/40W	1
8	210-0541	IGNITER WIRE KIT	1
9	210-0546	IGNITER WIRE KIT	1
10	210-0640	HARNESS	1

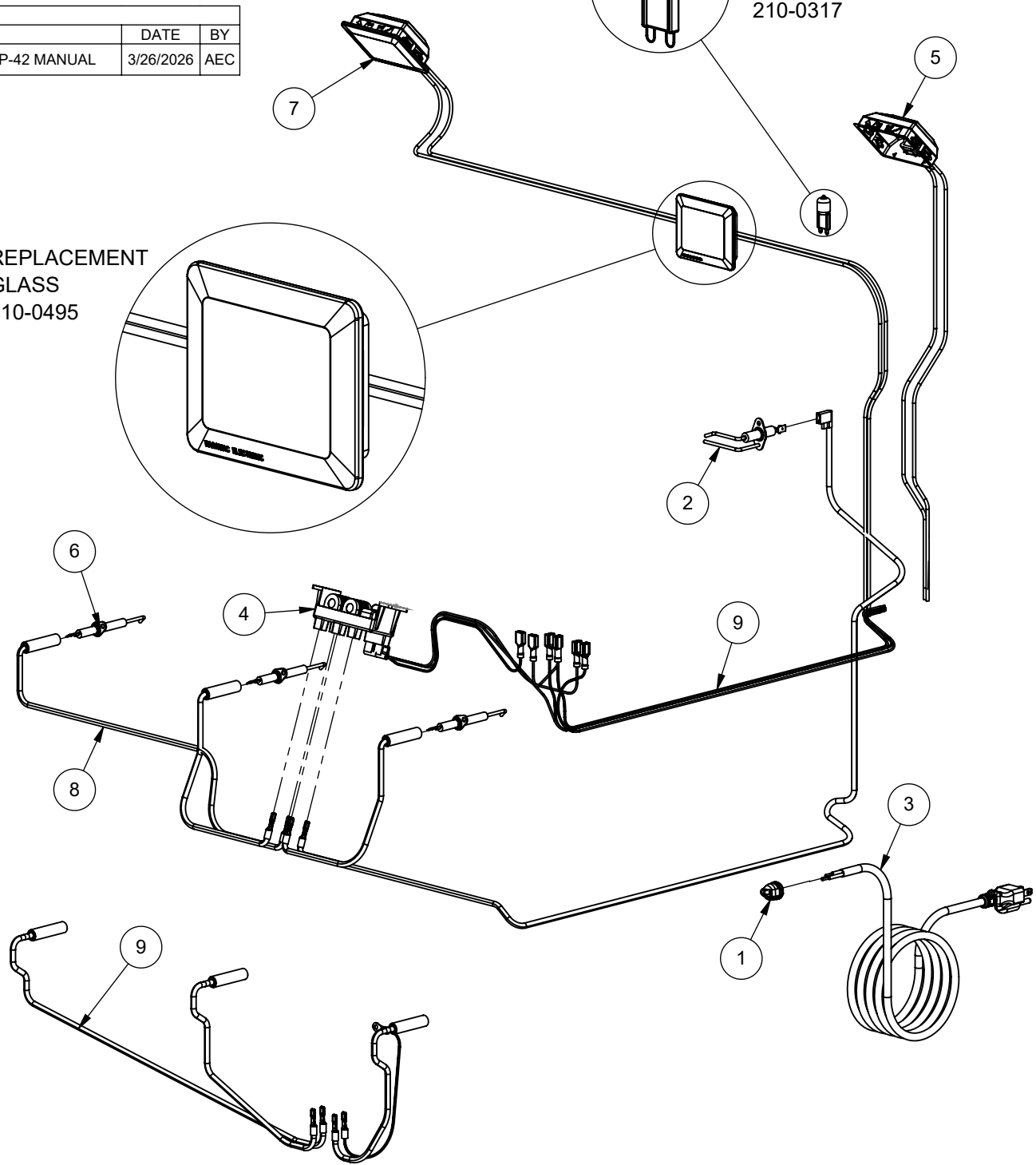
**NOTE:**

- ITEM 9 EXCLUSIVE TO ART-42
- ITEMS 2 AND 8 ONLY AVAILABLE ON ARTP-42

REVISIONS			
REV.	DESCRIPTION	DATE	BY
A	MERGED ART-42 & ARTP-42 MANUAL	3/26/2026	AEC

REPLACEMENT  
GLASS  
210-0495

REPLACEMENT  
LAMP G9/40W/120V  
210-0317



*Artisan*<sup>™</sup>  
*Professional Grills by Alfresco*