

Artisan



**ART-36
BUILT-IN 36" BBQ GRILL WITH DUAL BURNERS
ROTISSERIE MOTOR AND INTEGRATED LIGHT
UP TO SERIAL # 12-40000**

Artisan
SUPERIOR EQUIPMENT SOLUTIONS
7039 EAST SLAUSON AVENUE
COMMERCE, CA. 90040

THE INFORMATION CONTAINED IN THIS DRAWING IS THE SOLE PROPERTY OF SUPERIOR EQUIPMENT SOLUTIONS INC. ANY REPRODUCTION IN PART OR AS A WHOLE WITHOUT WRITTEN PERMISSION FROM SUPERIOR EQUIPMENT SOLUTIONS, INC. IS PROHIBITED.

DRAWN BY: ADRIAN CRISCI
CREATED: 6/22/2011 9:43:51 AM

PROJECT TITLE:
ARTISAN GRILLS

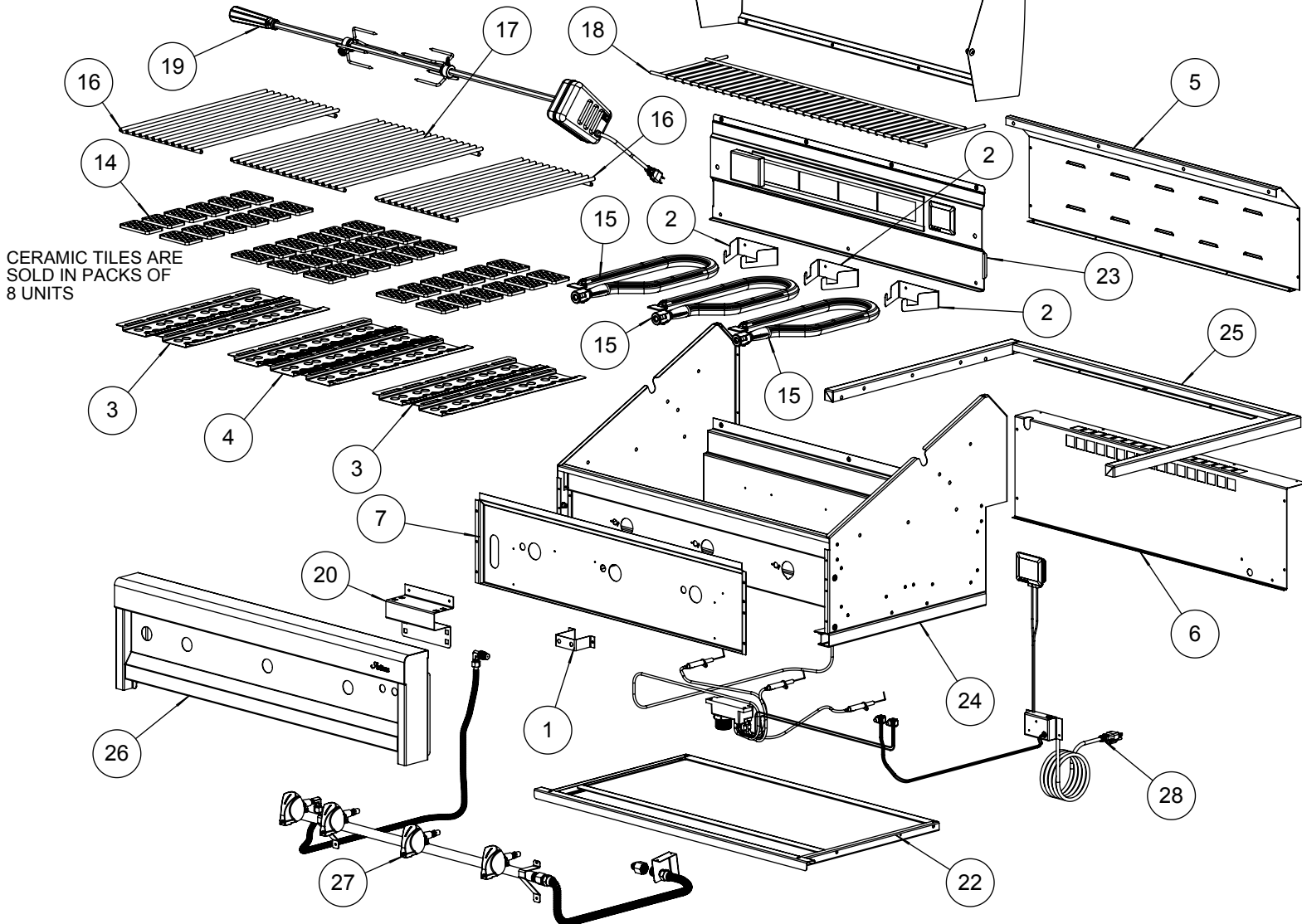
DRAWING TITLE:
PARTS AND COMPONENTS MANUAL

DRAWING NO.:
500-0094 MANUAL

SHEET 1 OF 1

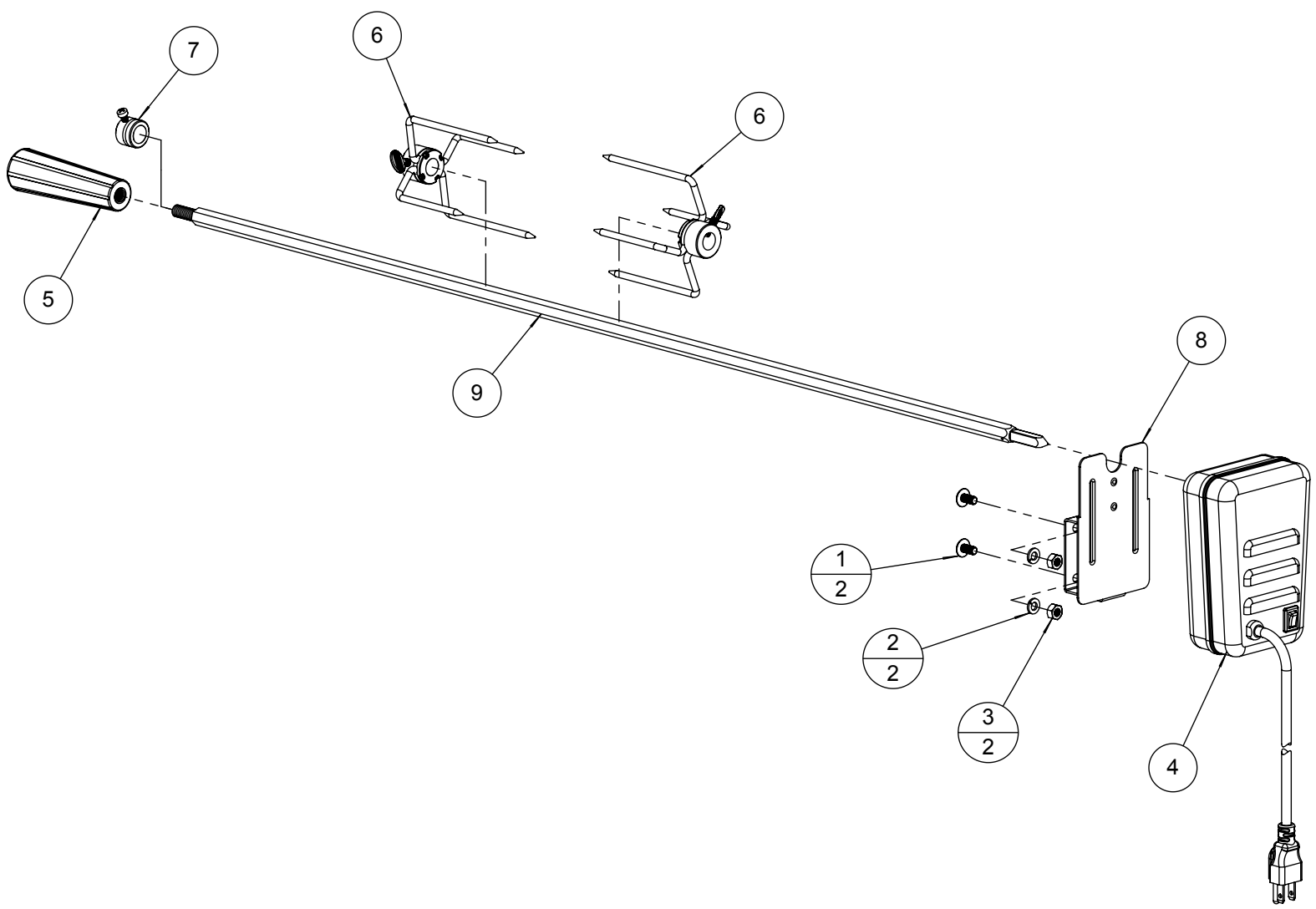
BILL OF MATERIALS

ITEM	PART N°	DESCRIPTION
1	100-2038	ARTISAN IGNITER & LIGHT SWITCH BRACKET
2	100-2048	ARTISAN BURNER BRACKET
3	100-2070	ARTISAN 9-3/4" CERAMIC TILE TRAY
4	100-2089	ARTISAN 13-3/4" CERAMIC TILE TRAY
5	100-2115	ARTISAN 36" ROTISSERIE BACK COVER
6	100-2118	ARTISAN 36" FIREBOX REAR COVER
7	100-2120	ARTISAN 36" FIREWALL
14	265-0029	ARTISAN CERAMIC TILE - 3½ x 2"
15	290-0317	ARTISAN BBQ BURNER- 1Ø - 17.5" X 5" - U-SHAPE
16	290-0323	ARTISAN BBQ GRID - 9.8125" WIDE
17	290-0324	ARTISAN BBQ GRID - 13.8125" WIDE
18	290-0329	ARTISAN 36" BBQ WARMING GRID
19	510-0552	ART-ROT36 ROTISSERIE KIT - SEE PARTS DRAWING
20	510-0567	ARTISAN IGNITER BRACKET
21	510-0601	ARTISAN 36" FRONT HOOD - SEE PARTS DRAWING
22	510-0602	ARTISAN 36" GREASE TRAY ASSEMBLY
23	510-0603	ARTISAN 36" ROTISSERIE - SEE PARTS DRAWING
24	510-0604	ARTISAN 36" FIREBOX - SEE PARTS DRAWING
25	510-0605	ARTISAN 36" BBQ - PERIMETER SUPPORT
26	510-0606	ARTISAN 36" FRONT PANEL ASSEMBLY
27	510-0607	ARTISAN 36" GAS MANIFOLD - SEE PARTS DRAWING
28	510-0649	ARTISAN 36" ELECTRICAL - SEE PARTS DRAWING



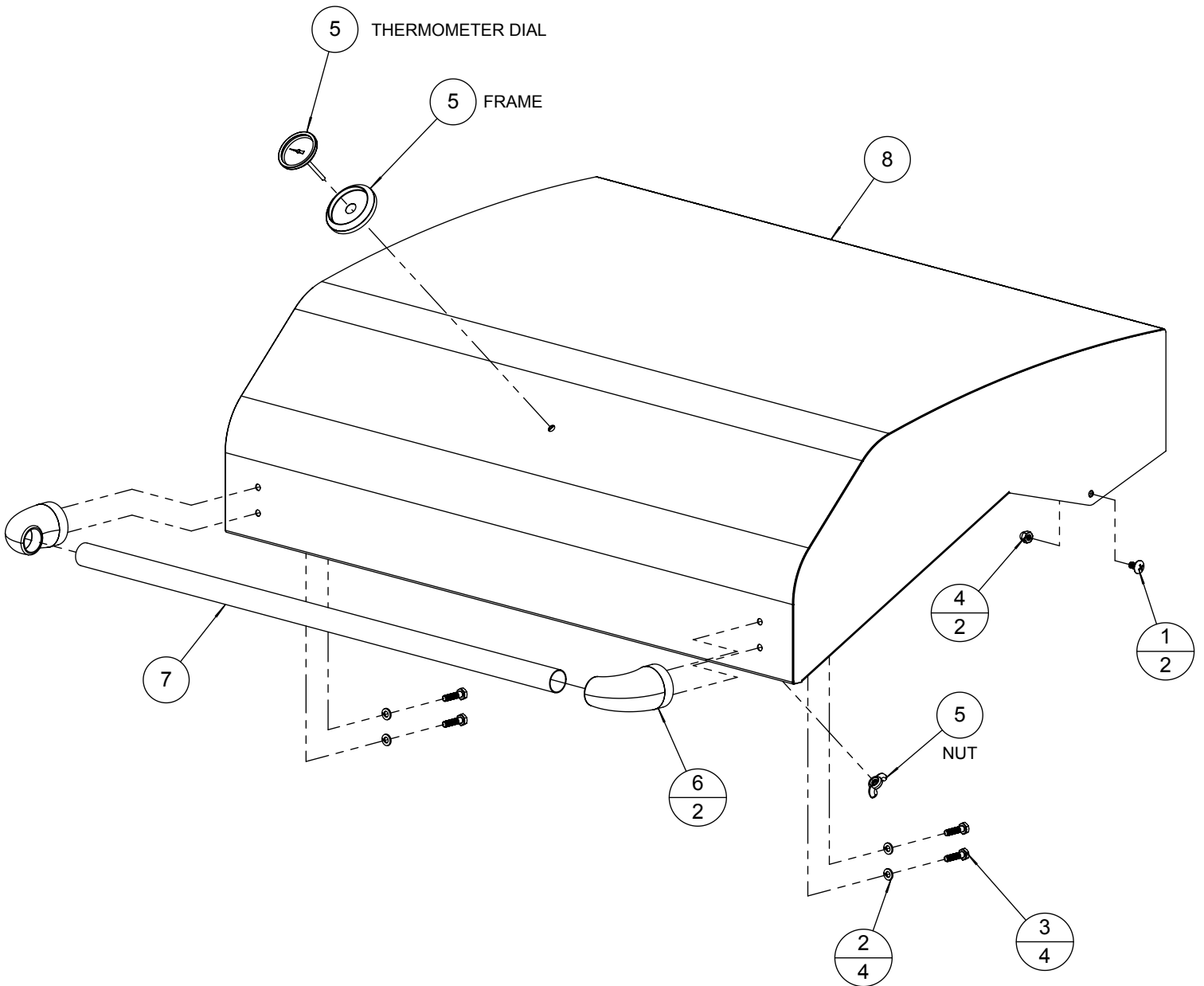
BILL OF MATERIALS

ITEM	PART N°	DESCRIPTION	QTY
1	200-0057	SCREW 1/4-20 X 1/2 - TRUSS HEAD - PHILPS	2
2	200-0087	WASHER - 1/4" SPRING LOCK- REGULAR - SS	2
3	200-0090	1/4-20 - DOUBLE CHAMFER - HEX NUT	2
4	210-0493	ARTISAN ROTISSERIE MOTOR	1
5	290-0330	HANDLE - ROTISSERIE SPEAR - ARTISAN	1
6	290-0331	FORK - ARTISAN ROTISSERIE ASSEMBLY (FORK + THUMB SCREW)	2
7	290-0332	BUSHING- ARTISAN ROTISSERIE BUSHING ASSEMBLY	1
8	290-0333	BRACKET - ARTISAN ROTISSERIE MOTOR MOUNT	1
9	290-0336	SPEAR ROTISSERIE - ARTISAN 36" BBQ	1



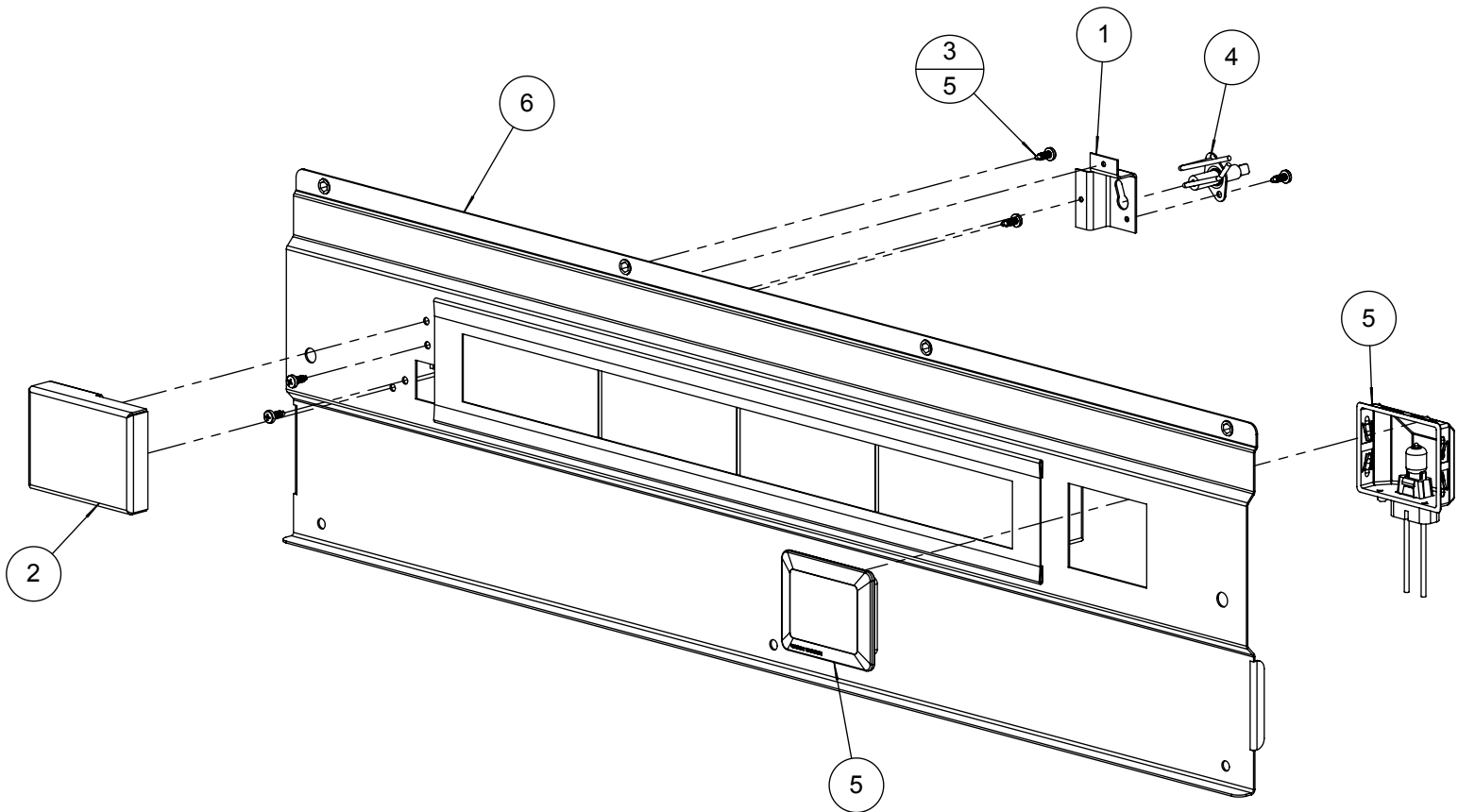
BILL OF MATERIALS

ITEM	PART N°	DESCRIPTION	QTY
1	200-0057	SCREW 1/4-20 X 1/2 - TRUSS HEAD - PHILIPS	2
2	200-0087	WASHER - 1/4" SPRING LOCK- REGULAR - SS	4
3	200-0091	HH- HD - 1/4-20 x 1 x .75 THREAD	4
4	200-0313	NUT 1/4 x 20 - ACORN - SELF LOCKING	2
5	210-0490	ARTISAN THERMOMETER ASSEMBLY	1
6	290-0063	HANDLE - END CAP ASSEMBLY	2
7	290-0328	ARTISAN 36" BBQ - FRONT HOOD HANDLE BAR	1
8	510-0600	ARTISAN 36" BBQ - FRONT HOOD WELDED / ASSEMBLED PARTS	1



BILL OF MATERIALS

ITEM	PART N°	DESCRIPTION	QTY
1	100-1986	ALX2-30 / 30SZ - ROTISSERIE BURNER IGNITER BRAKET	1
2	100-1987	ALX2-30 / 30SZ - ROTISSERIE BURNER IGNITER COVER	1
3	200-0111	SCREW 8-18 X 1/2 - SELF TAP - 410 SS	5
4	210-0240	ELECTRODE - DUAL TIP "L" SHAPE- ROTISSERIE	1
5	210-0488	LAMP FIXTURE ASSEMBLY - G9/120V/40W	1
6	510-0599	ARTISAN 36" ROTISSERIE BURNER PANEL	1



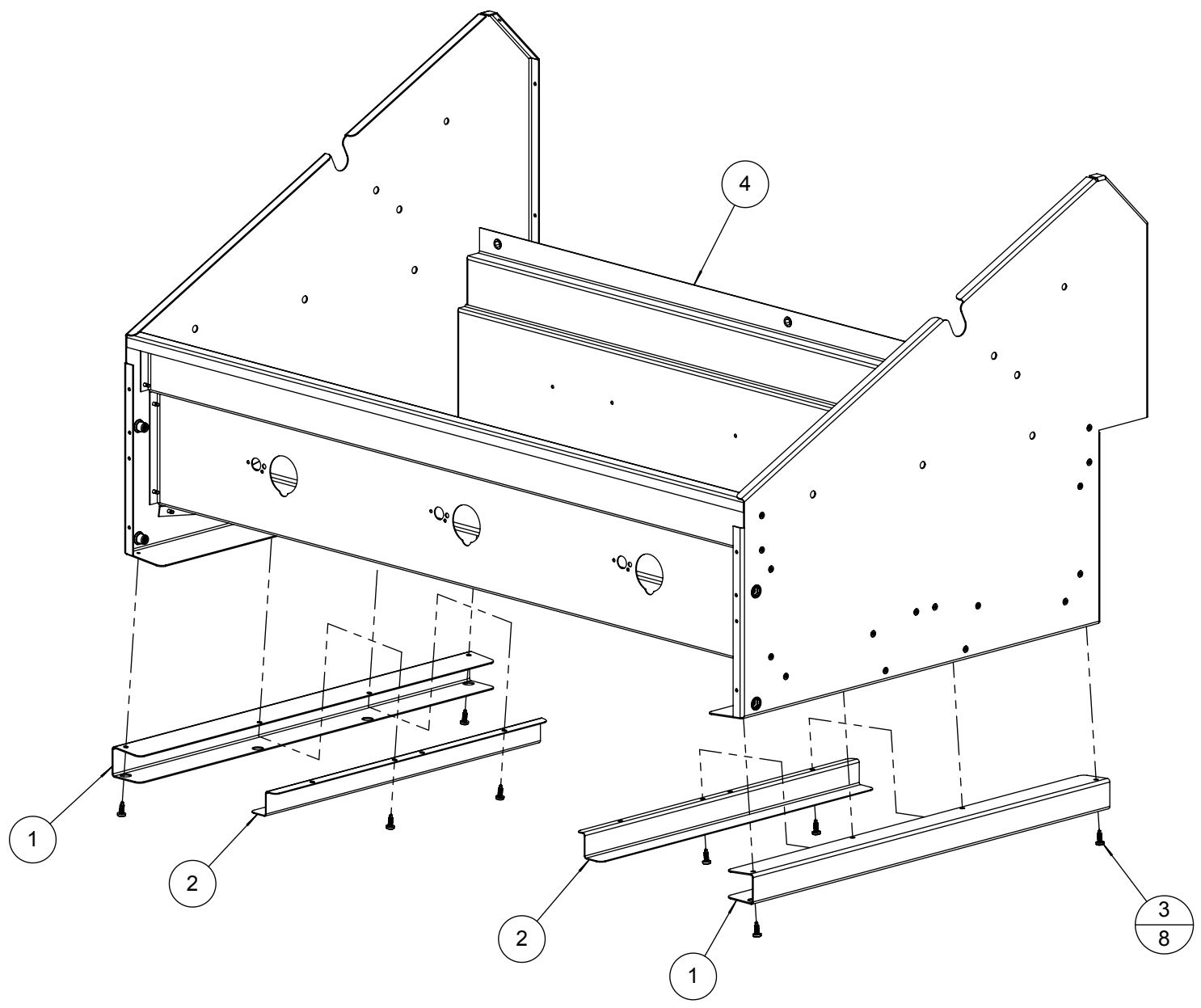
NOTE:

ITEM (4) AND (5) ARE SHOWN FOR ASSEMBLY PURPOSES ONLY

REFER TO ELECTRICAL COMPONENTS DRAWING 510-0649 FOR DETAILED CONNECTIONS.

BILL OF MATERIALS

ITEM	PART N°	DESCRIPTION	QTY
1	100-2024	FIREBOX TRAY SLIDE PART-A	2
2	100-2025	FIREBOX TRAY SLIDE PART-B	2
3	200-0111	SCREW 8-18 X ½ - SELF TAP - 410 SS	8
4	510-0559	ARTISAN 36" FIREBOX - RIVETED PARTS	1

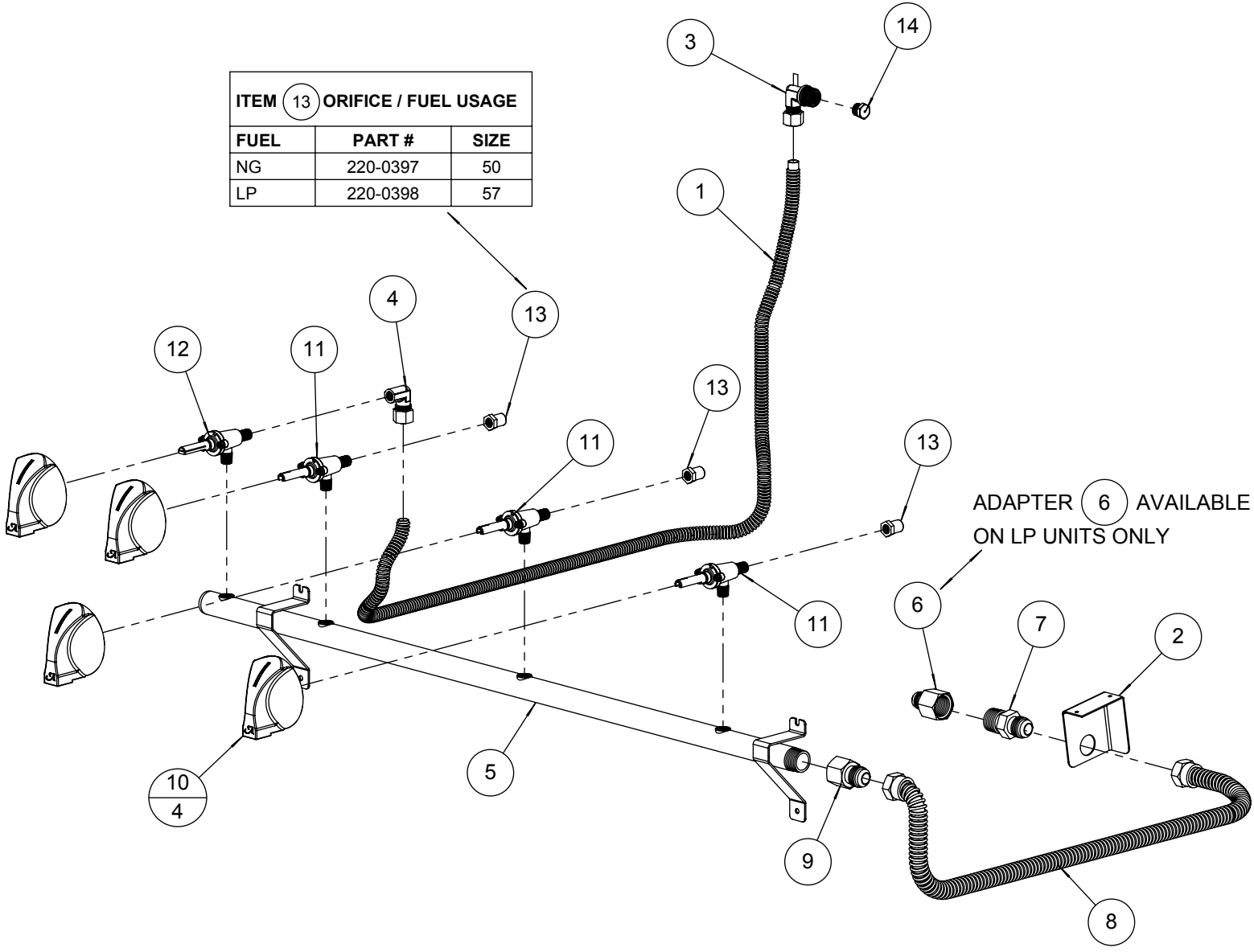


BILL OF MATERIALS

ITEM	PART N°	DESCRIPTION	QTY
1	100-1949	ARTISAN ROTISSERIE LINE - 36" L x 3/8" ID	1
2	100-2124	ARTISAN GAS PIPELINE CONNECTION BRACKET	1
3	220-0276	ELBOW .375 MPT x .375 COMP	1
4	220-0399	ELBOW 1/8-27 FPT x 3/8" Ø COMPRESSION	1
5	220-0401	GAS MANIFOLD - ARTISAN 36" BBQ	1
6	220-0403	NIPPLE 3/8" OD FL x 1/2" FPT (FOR LP HOOK-UP)	1
7	220-0406	NIPPLE 1/2" OD FL x 1/2" MPT x 3/8" FPT	1
8	220-0407	ARTISAN - 1/2" ODF x 26"L- FLEX SS GAS LINE	1
9	220-0408	NIPPLE 1/2" OD FL x 1/2" FPT	1
10	290-0030	KNOB BBQ - ALFRESCO "A" LETTER	4
11	290-0320	VALVE - GAS - VARIABLE FLOW - 1/8-27 MPT X 1/8-27 NPTS	3
12	290-0321	VALVE - GAS - [ON/OFF] FLOW - 1/8-27 MPT X 1/8-27 NPTS	1
13	SEE NOTE	ORIFICE - MAIN BURNER - (SEE NOTE FOR SIZING)	3
14	SEE NOTE	ORIFICE - IR ROTISSERIE UNIT (SEE NOTE FOR SIZING)	1

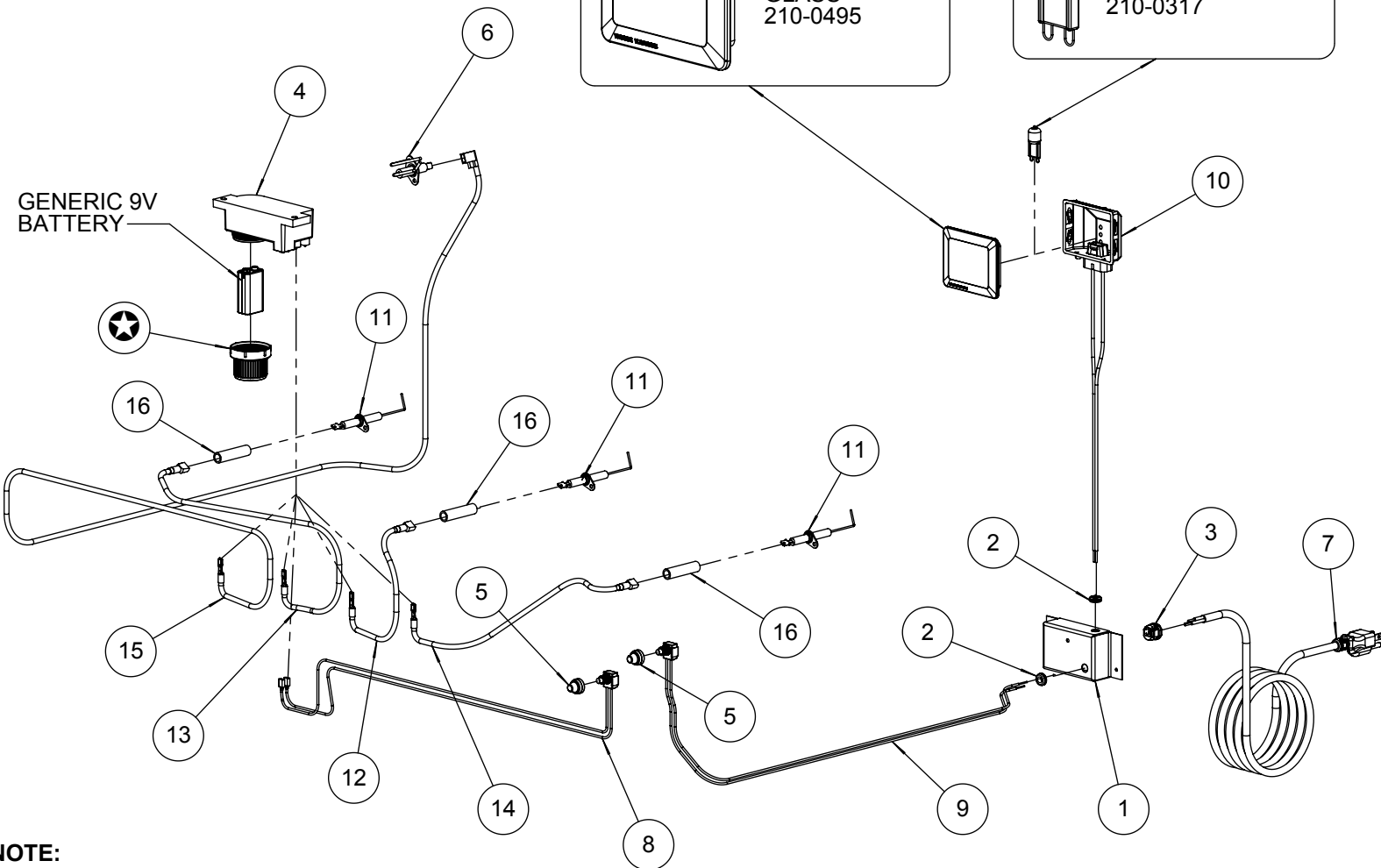
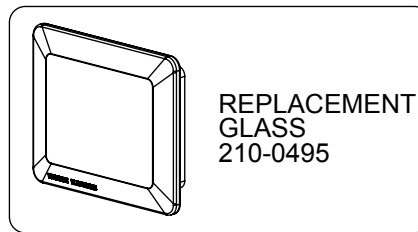
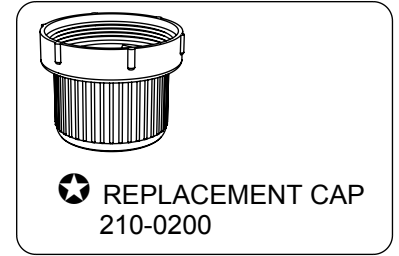
ITEM 14 ORIFICE / FUEL USAGE		
FUEL	PART #	SIZE
NG	220-0283	50
LP	220-0284	57

ITEM 13 ORIFICE / FUEL USAGE		
FUEL	PART #	SIZE
NG	220-0397	50
LP	220-0398	57



BILL OF MATERIALS

ITEM	PART N°	DESCRIPTION	QTY
1	100-2043	ELECTRICAL BOX	1
2	200-0007	GROMMET 1/4" Ø - MMC# 9600K24	2
3	200-0009	HEYCO STRESS RELIEF BUSHING # 1200 SR 6N3-4	1
4	210-0194	IGNITER MODULE - 4 POINTS (WITH CAP)	1
5	210-0198	SWITCH - WEATHER BOOT & CAP	2
6	210-0240	ELECTRODE - DUAL TIP "L" SHAPE- ROTISSERIE	1
7	210-0287	BLACK POWER SUPPLY CORD 125V 15A 14/3 X 8FT LONG	1
8	210-0443	SWITCH BBQ - IGNITER - OFF/[ON] MOMENTARY - W/ 20" LEADS 1/4"QT	1
9	210-0470	SWITCH BBQ - LIGHT - [ON/OFF] - W / 38" LEADS	1
10	210-0488	LAMP FIXTURE ASSEMBLY - G9/120V/40W	1
11	210-0491	ARTISAN U-BURNER ELECTRODE TIP	3
12	SEE NOTE	ARTISAN IGNITER WIRE - 10" LONG - CENTER BURNER	1
13	SEE NOTE	ARTISAN IGNITER WIRE - 14" LONG - LEFT BURNER	1
14	SEE NOTE	ARTISAN IGNITER WIRE - 19" LONG - RIGHT BURNER	1
15	SEE NOTE	ARTISAN IGNITER WIRE - 53" LONG - ROTISSERIE	1
16	SEE NOTE	INSULATION SLEEVE - SILICONE 7/16" OD x 5/16" ID x 1-3/4" L	3



NOTE:
 ITEMS 12 , 13 , 14 , 15 AND 16 ARE AVAILABLE UNDER KIT # 210-0541
 ITEMS ARE NOT SOLD SEPARATELY