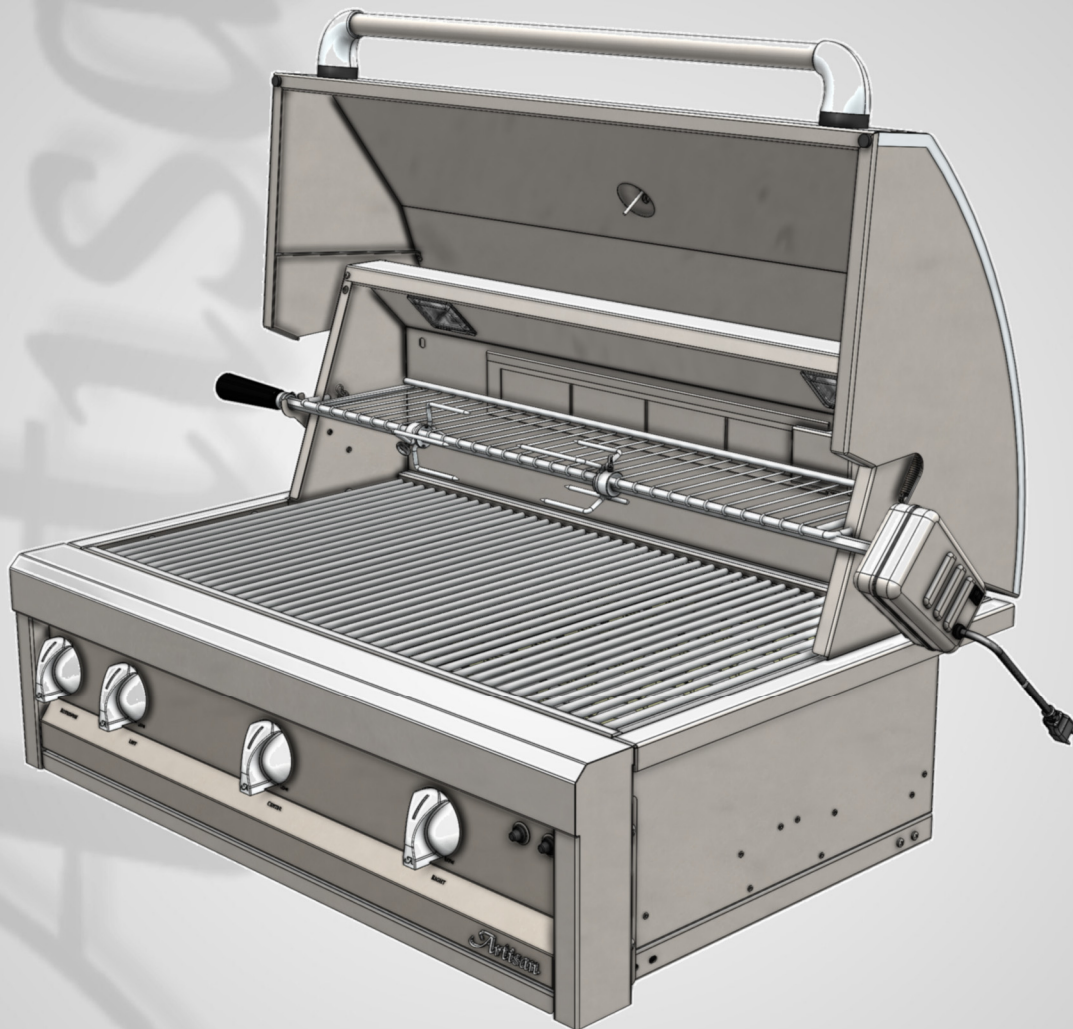


Artisan™

Professional Grills by Alfresco



PARTS MANUAL
ART-36 & ARTP-36 MODELS
SN 25-134000 FORWARD

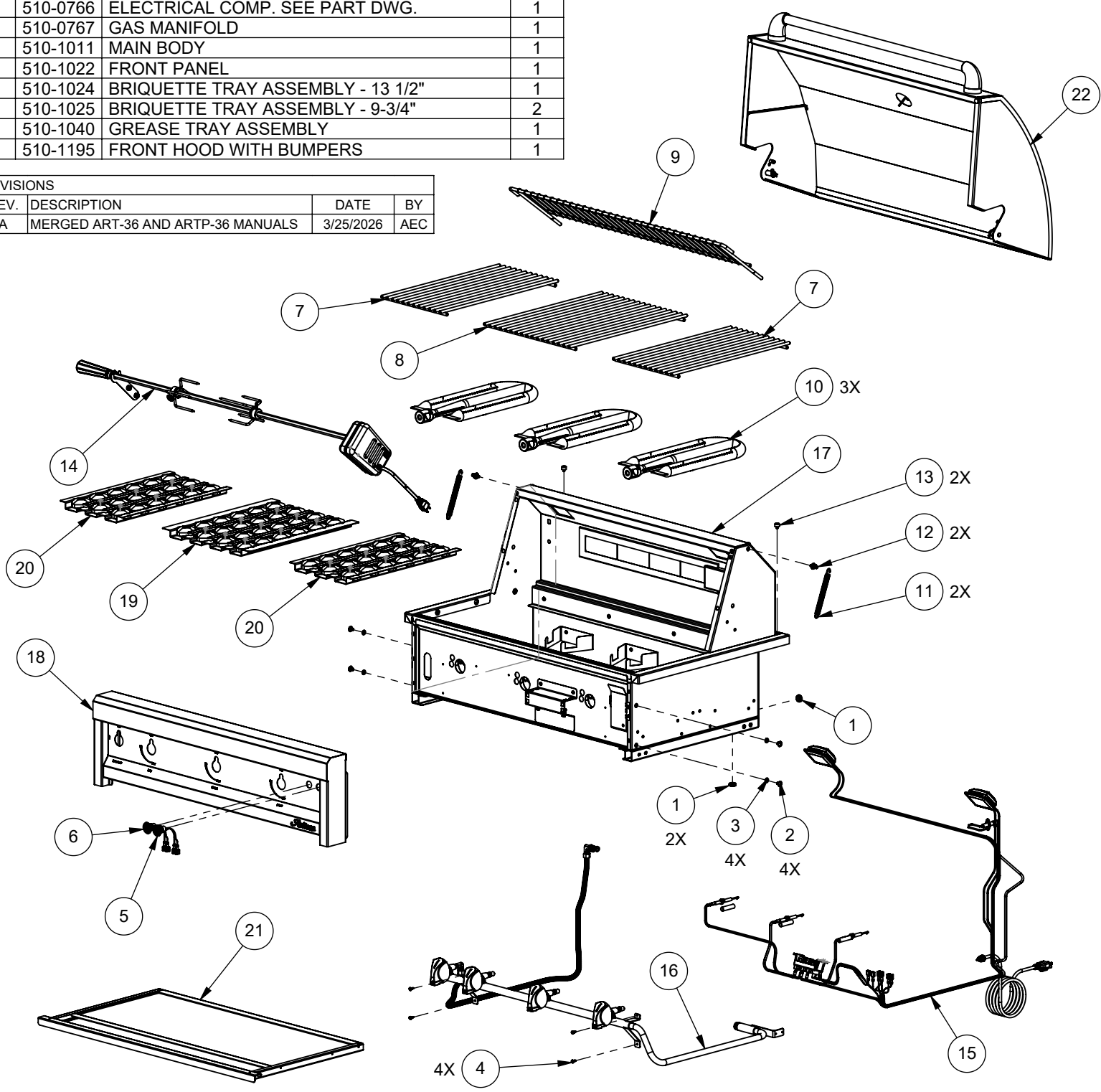
ITEM	PART #	DESCRIPTION	QTY
1	200-0004	GROMMET 9/16" OD, 1/16" MAT'L, 7/16" ID	2
2	200-0086	SCREW 1/4-20 X 3/8" - TRUSS HEAD PHILIPS	4
3	200-0087	WASHER, 1/4" - SPRING LOCK - SS	4
4	200-0111	SCREW, SMS, 8-18 X 1/2", PH, PAN, TEK, 410 SS	4
5	210-0583	SWITCH - IGNITION - MOMENTARY [ON]/OFF	1
6	210-0584	SWITCH - LIGHT - LATCHING [ON/OFF]	1
7	290-0323	BBQ GRID - 9.8125" WIDE	2
8	290-0324	BBQ GRID - 13.8125" WIDE	1
9	290-0354	WARMING GRID	1
10	290-0355	U-BURNER	3
11	290-0443	SPRING TEMPERED- .513 OD x 4.875 L	2
12	290-0447	HOOD SPRING LATCH	2
13	290-0469	BUMPER 1/2" Ø x 5/16" H - 600 °F	2
14	510-0552	ROTISSERIE KIT	1
15	510-0766	ELECTRICAL COMP. SEE PART DWG.	1
16	510-0767	GAS MANIFOLD	1
17	510-1011	MAIN BODY	1
18	510-1022	FRONT PANEL	1
19	510-1024	BRIQUETTE TRAY ASSEMBLY - 13 1/2"	1
20	510-1025	BRIQUETTE TRAY ASSEMBLY - 9-3/4"	2
21	510-1040	GREASE TRAY ASSEMBLY	1
22	510-1195	FRONT HOOD WITH BUMPERS	1

△

NOTE: ALTERNATE PARTS AND COMPONENTS BETWEEN ART-36 AND ARTP-36 GRILLS ARE LOCATED IN THESE ASSEMBLIES: (15) (16) (17) AND (18)

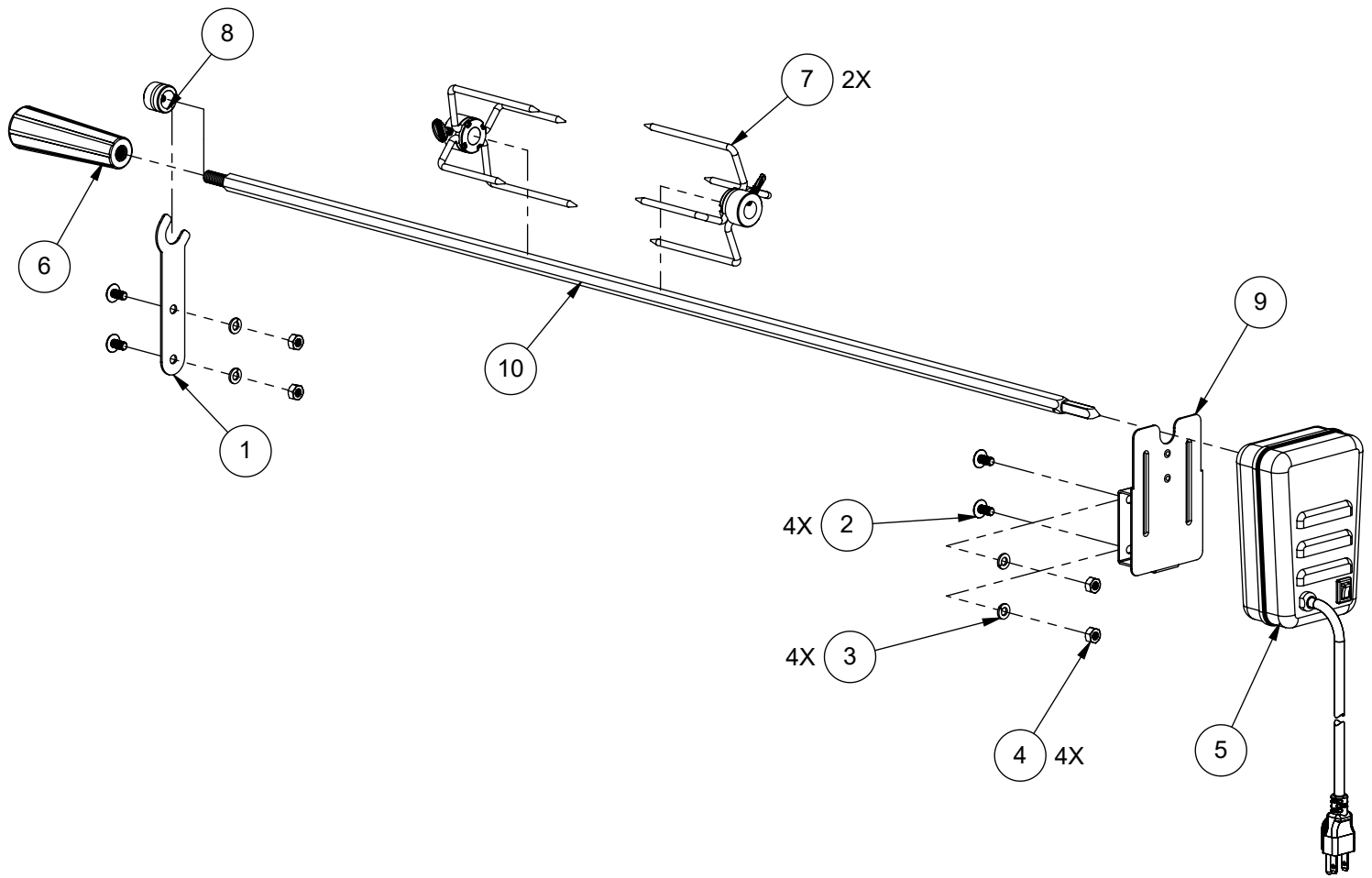
REFER TO THE APPROPRIATE DOCUMENTS FOR CORRECT PARTS FOR EACH MODEL.

REVISIONS			
REV.	DESCRIPTION	DATE	BY
A	MERGED ART-36 AND ARTP-36 MANUALS	3/25/2026	AEC



BILL OF MATERIALS

ITEM	PART #	DESCRIPTION	QTY
1	100-2366	ROTISSERIE HOLDER BRACKET	1
2	200-0057	SCRW 1/4-20 X 1/2" - TRUSS HEAD PHILIPS	4
3	200-0087	WASHER, 1/4" - SPRING LOCK - SS	4
4	200-0090	1/4-20 - DOUBLE CHAMFER - HEX NUT	4
5	210-0493	ROTISSERIE MOTOR	1
6	290-0330	ROTISSERIE SPEAR HANDLE	1
7	290-0331	ROTISSERIE FORK ASSEMBLY	2
8	290-0332	ROTISSERIRE BUSHING ASSEMBLY	1
9	290-0333	ROTISSERIE MOTOR MOUNT	1
10	290-0336	ROTISSERIE SPEAR 36"	1

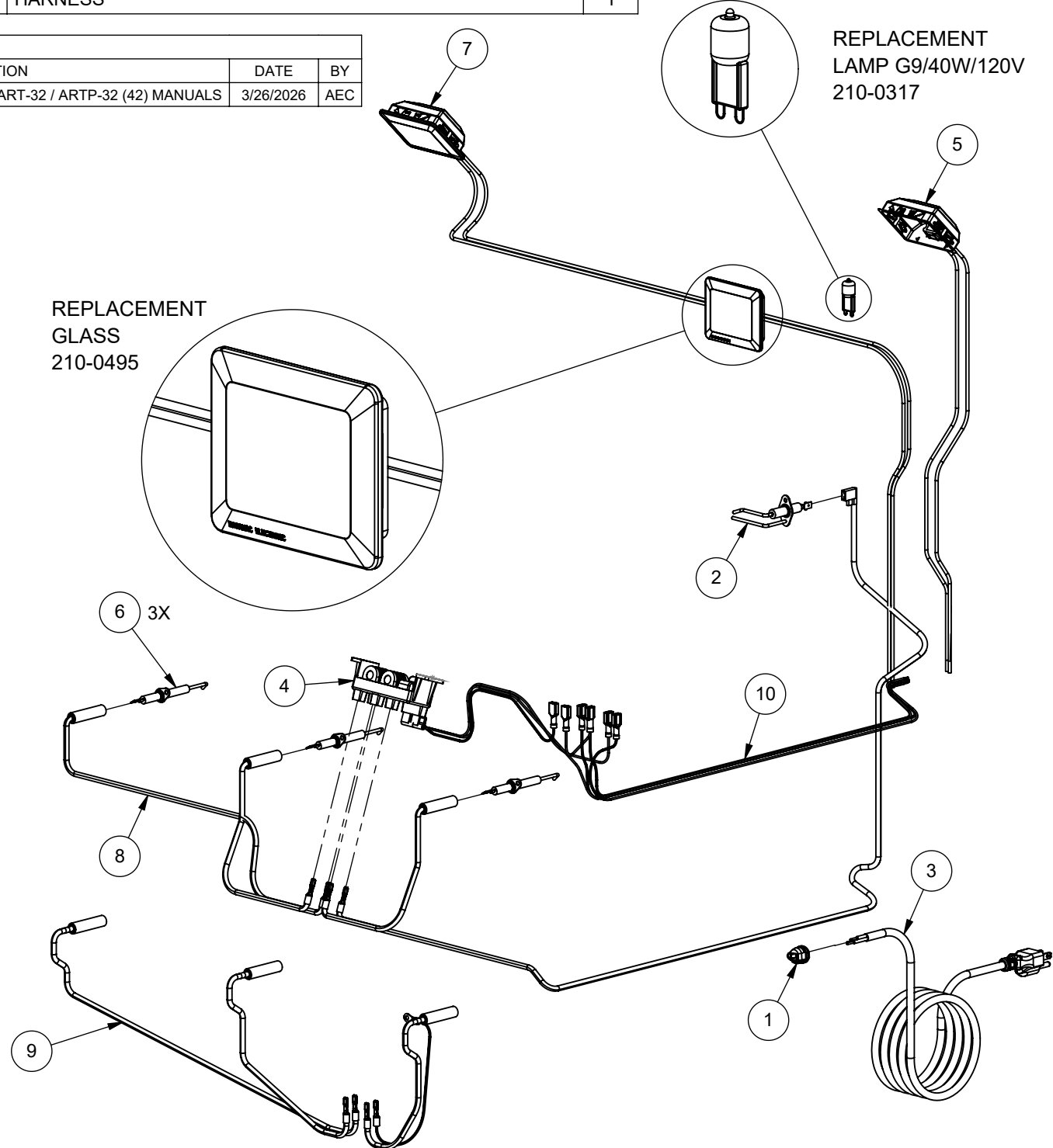


ITEM	PART #	DESCRIPTION	QTY
1	200-0009	STRAIN RELIEF, Ø.625 MOUNT HOLE X .062 THK., NYLON 6/6	1
2	210-0240	ELECTRODE - DUAL TIP "L" SHAPE- ROTISSERIE	1
3	210-0287	BLACK POWER SUPPLY CORD 125V 15A 14/3 X 8FT LONG	1
4	210-0465	IGNITER MODULE (4 POINTS)	1
5	210-0488	LAMP FIXTURE ASSEMBLY - G9/120V/40W	1
6	210-0491	U-BURNER ELECTRODE TIP	3
7	210-0510	LAMP FIXTURE ASSEMBLY - G9/120V/40W	1
8	210-0541	IGNITER WIRE KIT	1
9	210-0546	IGNITER WIRE KIT	1
10	210-0640	HARNESS	1

NOTE: ▲

- ITEM 9 EXCLUSIVE TO ART-32
- ITEMS 2 AND 8 ONLY APPLY TO ARTP-32

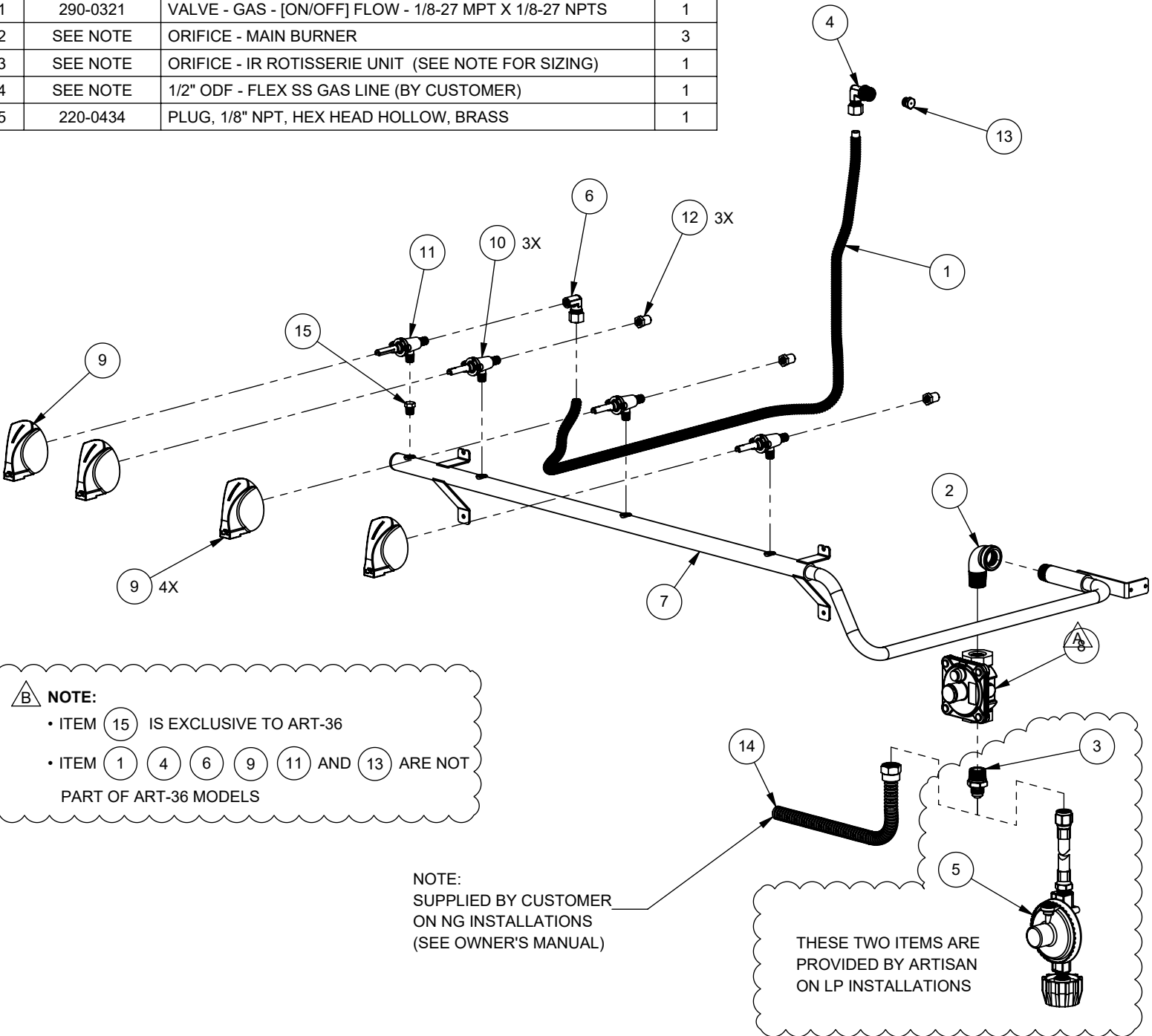
REVISIONS			
REV.	DESCRIPTION	DATE	BY
A	MERGED ART-32 / ARTP-32 (42) MANUALS	3/26/2026	AEC



ITEM	PART NUMBER	DESCRIPTION	QTY
1	100-1949	ROTISSERIE LINE - 36" L x 3/8" ID	1
2	200-0274	ELBOW, STREET, 1/2" NPT X 1/2" NPT-F, BLACK IRON	1
3	220-0275	NIPPLE, 1/2" NPT X 3/8" OD 45° FLARE, BRASS	1
4	220-0276	ELBOW, 3/8" NPT X 1/8" NPT-F INT. x 3/8" COMP., BRASS	1
5	220-0301	REGULATOR - SINGLE STAGE- LP GAS W/36" HOSE - GREEN	1
6	220-0399	ELBOW, 1/8-27 NPT-F x 3/8" COMP. BRASS	1
7	220-0431	GAS MANIFOLD ART2/AAE/ARTP-36	1
8	220-0555	REGULATOR GAS - LOW TEMP - 4/10" W.C. CONV.	1
9	290-0030	KNOB BBQ - ALFRESCO "A" LETTER	4
10	290-0320	GAS VALVE - 1/8-27 MPT X 1/8-27 NPTS	3
11	290-0321	VALVE - GAS - [ON/OFF] FLOW - 1/8-27 MPT X 1/8-27 NPTS	1
12	SEE NOTE	ORIFICE - MAIN BURNER	3
13	SEE NOTE	ORIFICE - IR ROTISSERIE UNIT (SEE NOTE FOR SIZING)	1
14	SEE NOTE	1/2" ODF - FLEX SS GAS LINE (BY CUSTOMER)	1
15	220-0434	PLUG, 1/8" NPT, HEX HEAD HOLLOW, BRASS	1

NOTE: ORIFICE OR VALVE ASSEMBLY TO CHANGE ACCORDING TO FUEL TYPE: NATURAL GAS OR LIQUID PROPANE.

ITEM	NG PART #	LP PART #
12 3X	220-0645	220-0472
13	220-0283	220-0284



NOTE:

- ITEM 15 IS EXCLUSIVE TO ART-36
- ITEM 1 4 6 9 11 AND 13 ARE NOT PART OF ART-36 MODELS

NOTE:
SUPPLIED BY CUSTOMER
ON NG INSTALLATIONS
(SEE OWNER'S MANUAL)

THESE TWO ITEMS ARE PROVIDED BY ARTISAN ON LP INSTALLATIONS

REV.	DESCRIPTION	DATE	BY
A	UPDATED TO LOW TEMP AND ASSOCIATED COMPONENTS	3/12/2026	AEC
B	MERGED ART-36 & ARTP-36 MANUALS	3/25/2026	AEC

Artisan™
SUPERIOR EQUIPMENT SOLUTIONS
1085 BIXBY DRIVE
CITY OF INDUSTRY, CA. 91745

THE INFORMATION CONTAINED IN THIS DRAWING IS THE SOLE PROPERTY OF SUPERIOR EQUIPMENT SOLUTIONS INC. ANY REPRODUCTION IN PART OR AS A WHOLE WITHOUT WRITTEN PERMISSION FROM SUPERIOR EQUIPMENT SOLUTIONS, INC. IS PROHIBITED.

DRAWN BY: N SILCOCK
LAST SAVED: 3/25/2026 2:02:32 PM

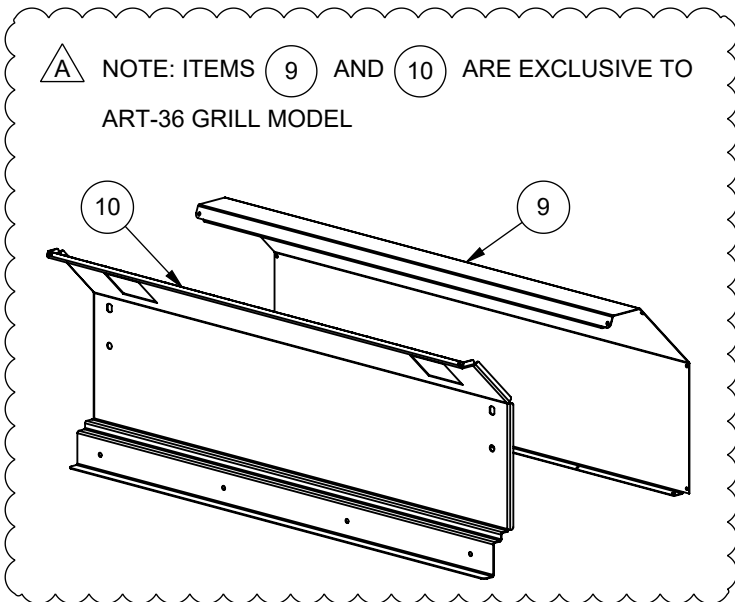
PROJECT TITLE:
ART-36 & ARTP-36

DRAWING TITLE:
GAS MANIFOLD

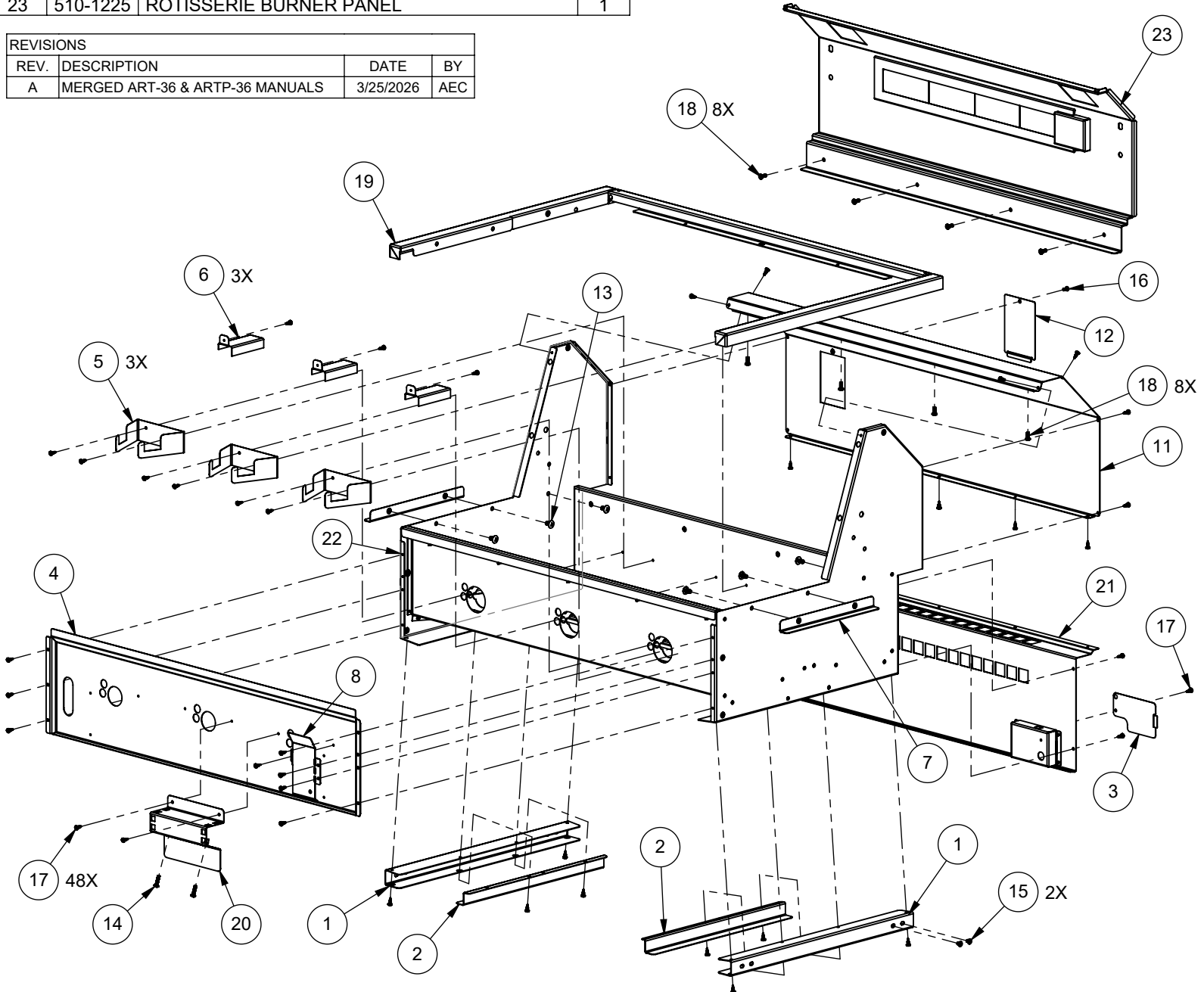
DRAWING NO.:
510-0767M

SHEET 1 OF 1

ITEM	PART #	DESCRIPTION	QTY
1	100-2024	FIREBOX TRAY SLIDE PART-A	2
2	100-2025	FIREBOX TRAY SLIDE PART-B	2
3	100-2370	ELECTRICAL BOX COVER	1
4	100-2372	FIREWALL	1
5	100-2373	BURNER BRACKET	3
6	100-2374	IGNITER COVER - STANDARD	3
7	100-2378	PERIMETER RING BRACKET	2
8	100-2666	BUTTONS SHIELD - BRACKET	1
9	100-2742	BACK HOOD - REAR COVER	1
10	145-0616	INNER PANEL, BACK HOOD, 36", ART	1
11	150-2334	BACK HOOD - REAR COVER	1
12	150-2335	IR ORIFICE ACCESS COVER	1
13	200-0057	SCRW 1/4-20 X 1/2" - TRUSS HEAD PHILIPS	6
14	200-0062	SCREW 10-32 X 3/4 - PAN HEAD - PHILLIPS	2
15	200-0082	10-32 X 1/4 - PAN HEAD - PHILIPS SCREW	2
16	200-0100	SCREW 8-32 X 3/8 PAN HD PHILLIPS, SS	1
17	200-0111	SCREW, SMS, 8-18 X 1/2", PH, PAN, TEK, 410 SS	48
18	200-0267	SCREW 10-32 X 1/2 - PAN HEAD - PHILLIPS	8
19	510-0742	PERIMETER RING	1
20	510-0747	IGNITER BRACKET ASSEMBLY	1
21	510-0865	ART2-36 FIREBOX REAR COVER ASSEMBLY	1
22	510-1016	FIREBOX - RIVETED PARTS	1
23	510-1225	ROTISSERIE BURNER PANEL	1

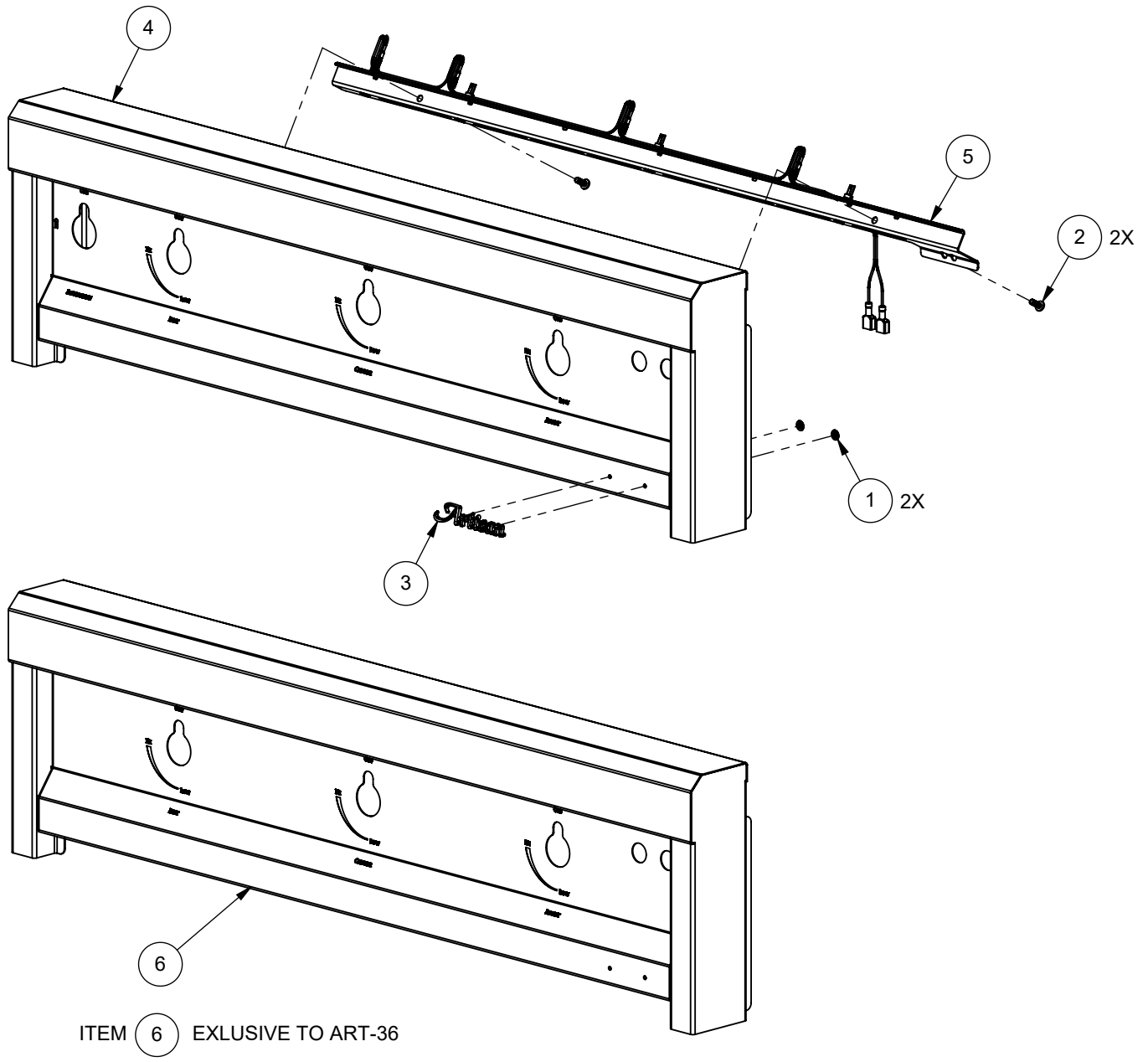


REVISIONS			
REV.	DESCRIPTION	DATE	BY
A	MERGED ART-36 & ARTP-36 MANUALS	3/25/2026	AEC



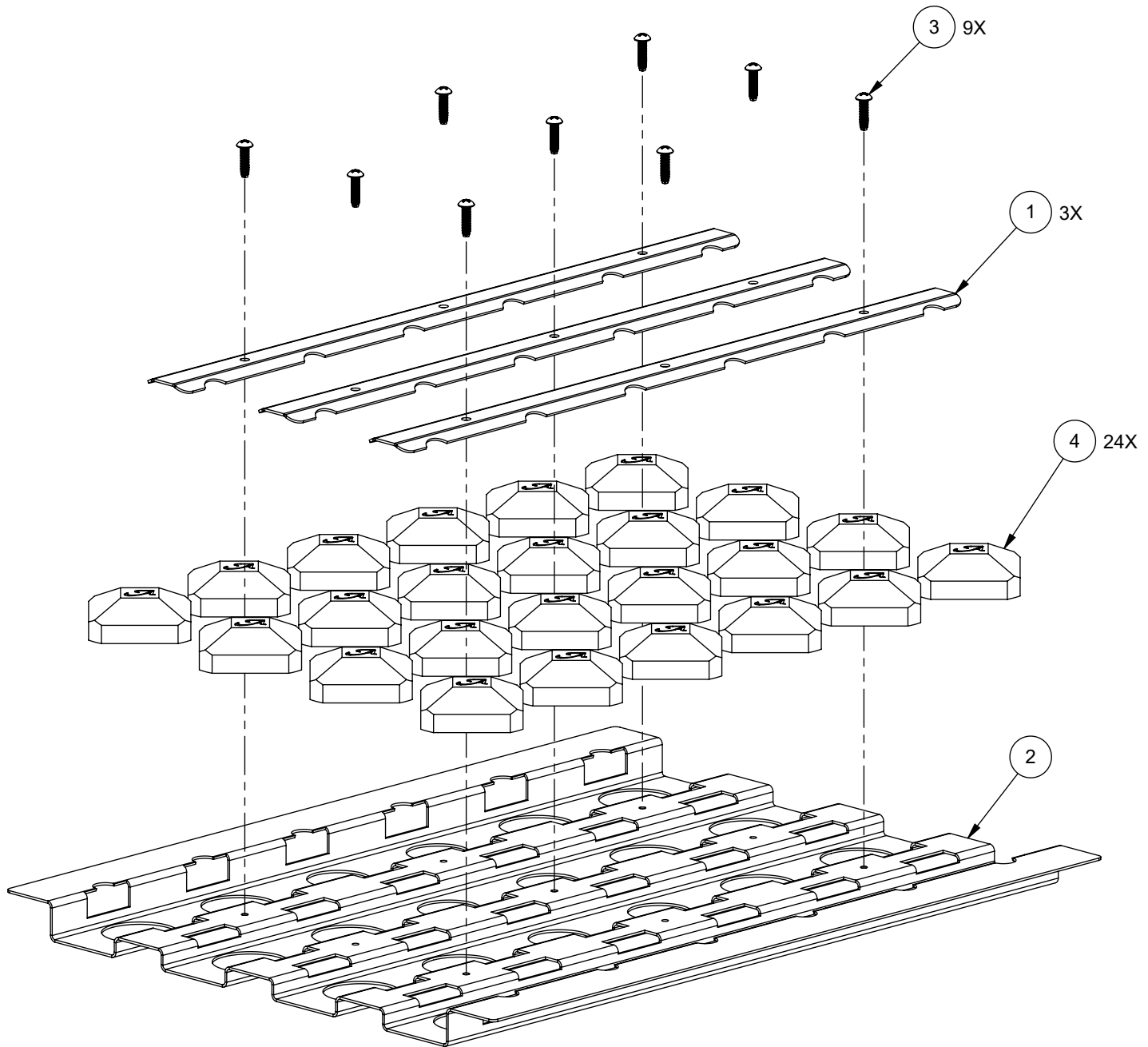
ITEM	PART #	DESCRIPTION	QTY
1	200-0093	WASHER, PUSH LOCK, 1/8" ID X 3/8" OD (LOGO)	2
2	200-0267	SCREW 10-32 X 1/2 - PAN HEAD - PHILLIPS	2
3	290-0356	ARTISAN LOGO	1
4	510-1023	FRONT PANEL - WELDED PARTS	1
5	510-1028	FRONT PANEL - LIGHT ASSEMBLY	1
6	510-1661	WELD ASSY, CONTROL PANEL, 36" ART	1

REVISIONS			
REV.	DESCRIPTION	DATE	BY
A	MERGED ART-36 & ARTP-36 MANUALS	3/25/2026	AEC

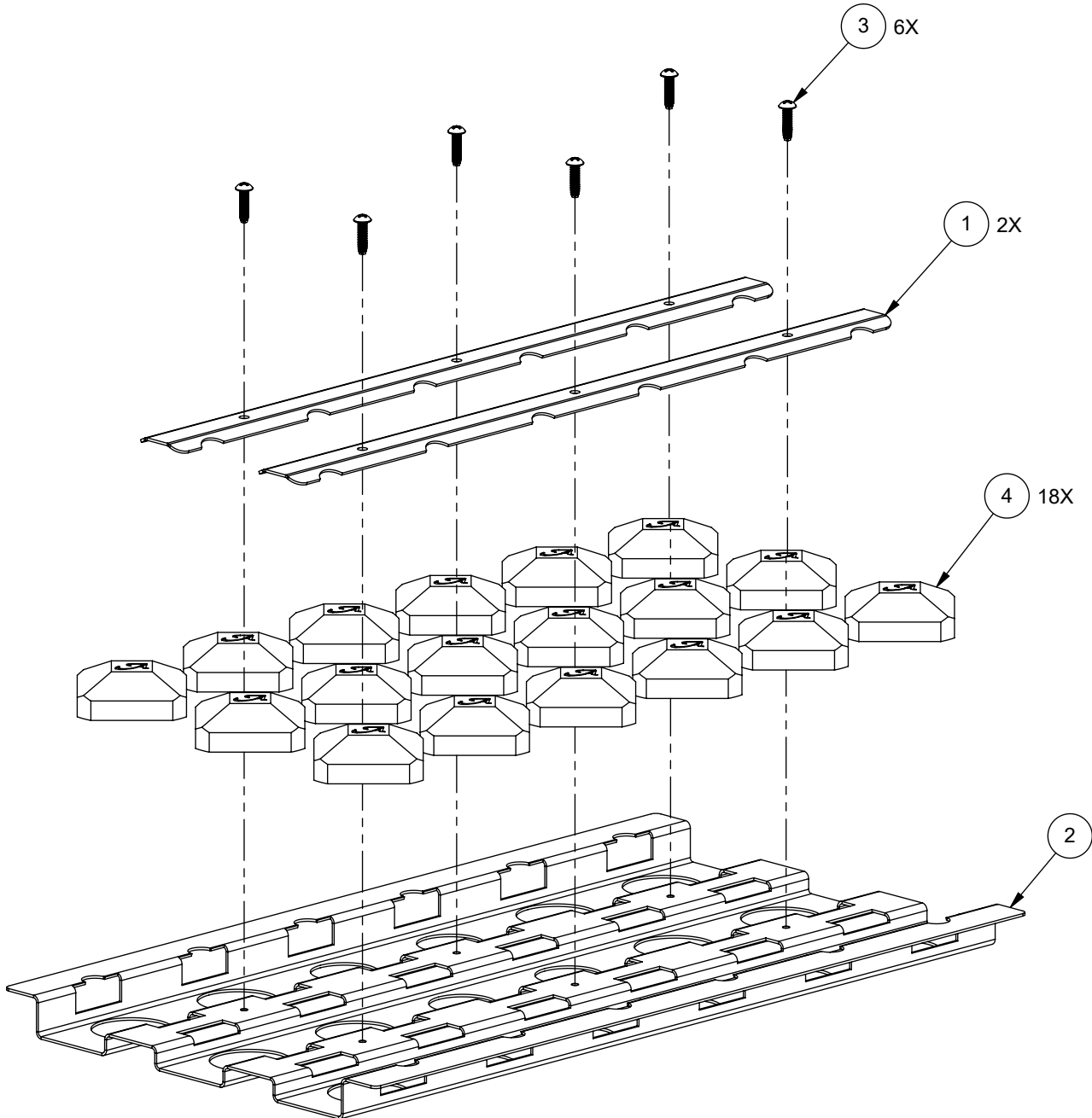


ITEM	PART #	DESCRIPTION	QTY
1	100-1895	BRIQUETTE LOCK BAR	3
2	100-2668	BRIQUETTE TRAY BASE - 13 1/2" WIDE	1
3	200-0314	SCREW, SMS, 8-32 x 5/8", PH, PAN, TYPE F, 410 SS	9
4	265-0005	CERAMIC BRIQUETTE W/ LOGO	24

REVISIONS			
REV.	DESCRIPTION	DATE	BY
A	UPDATED DRAWING	3/25/2026	AEC

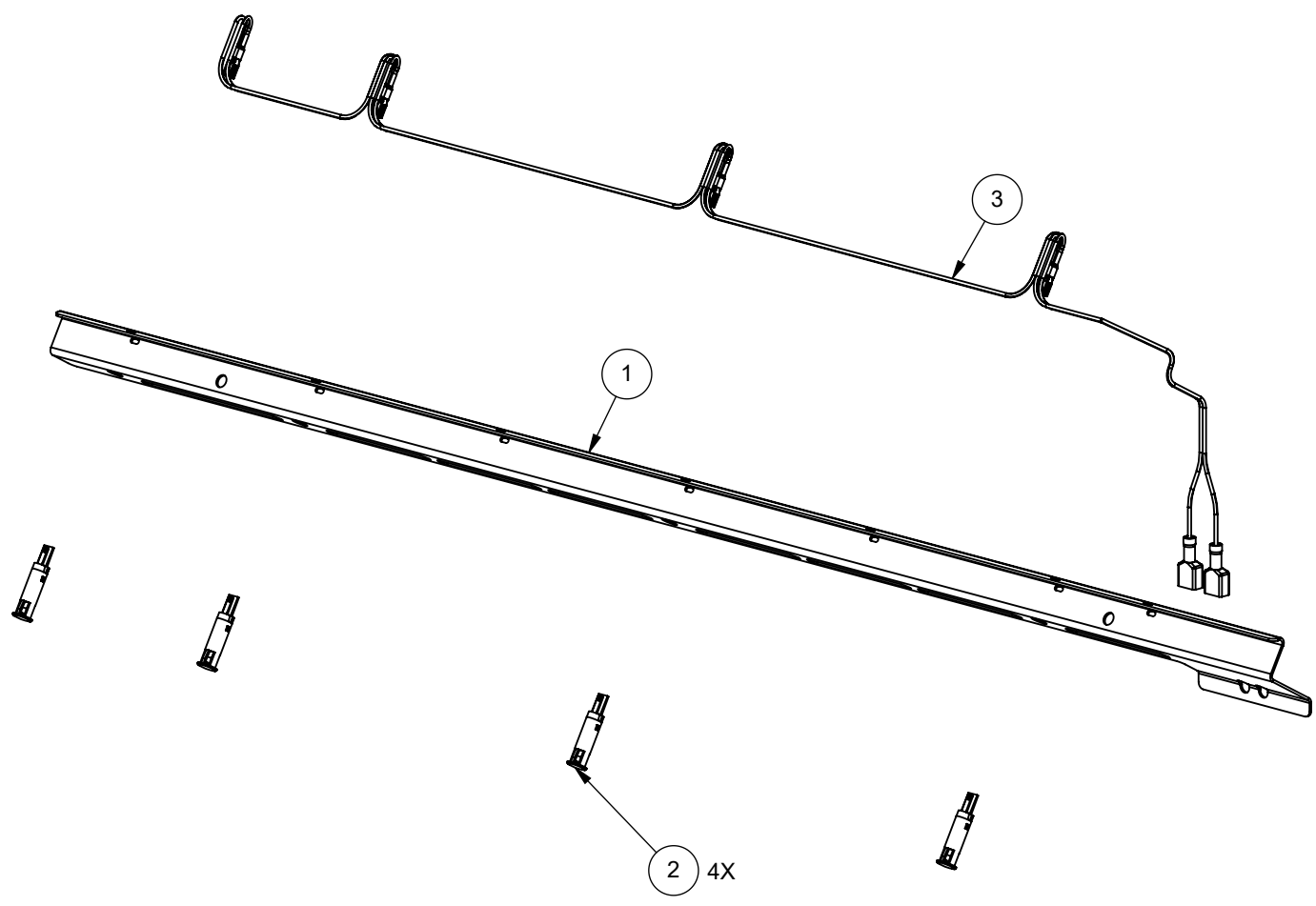


ITEM	PART #	DESCRIPTION	QTY
1	100-1895	BRIQUETTE LOCK BAR	2
2	100-2669	BRIQUETTE TRAY BASE - 9-5/8" WIDE	1
3	200-0314	SCREW, SMS, 8-32 x 5/8", PH, PAN, TYPE F, 410 SS	6
4	265-0005	CERAMIC BRIQUETTE W/ LOGO	18



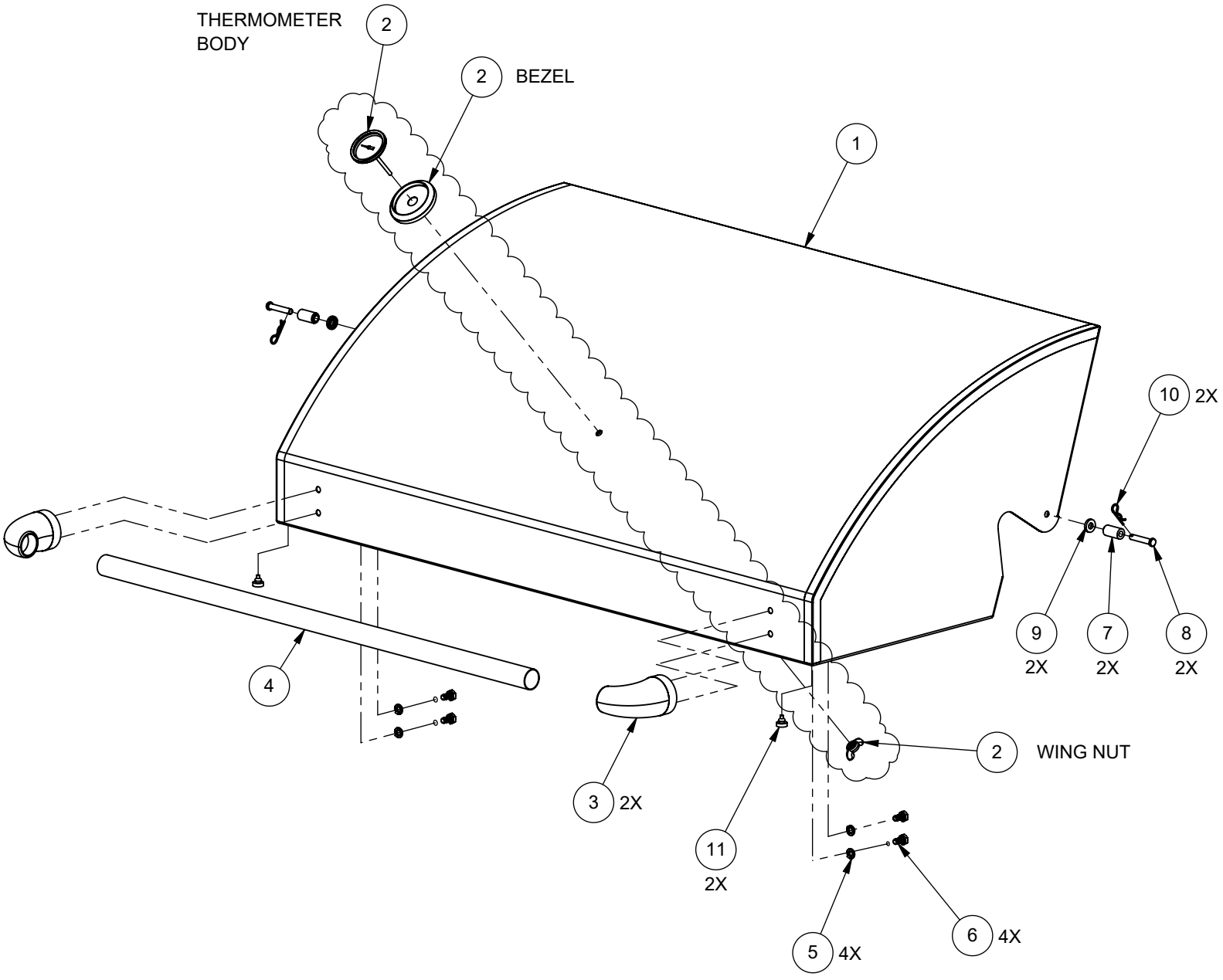
ITEM	PART #	DESCRIPTION	QTY
1	100-2670	FRONT PANEL LIGHT BRACKET	1
2	210-0624	LIGHT - BLUE LED - 8mm Ø - 110 VAC	4
3	210-0629	FRONT PANEL - LIGHT ASSEMBLY	1

REVISIONS			
REV.	DESCRIPTION	DATE	BY
A	UPDATED DRAWING	3/25/2026	AEC



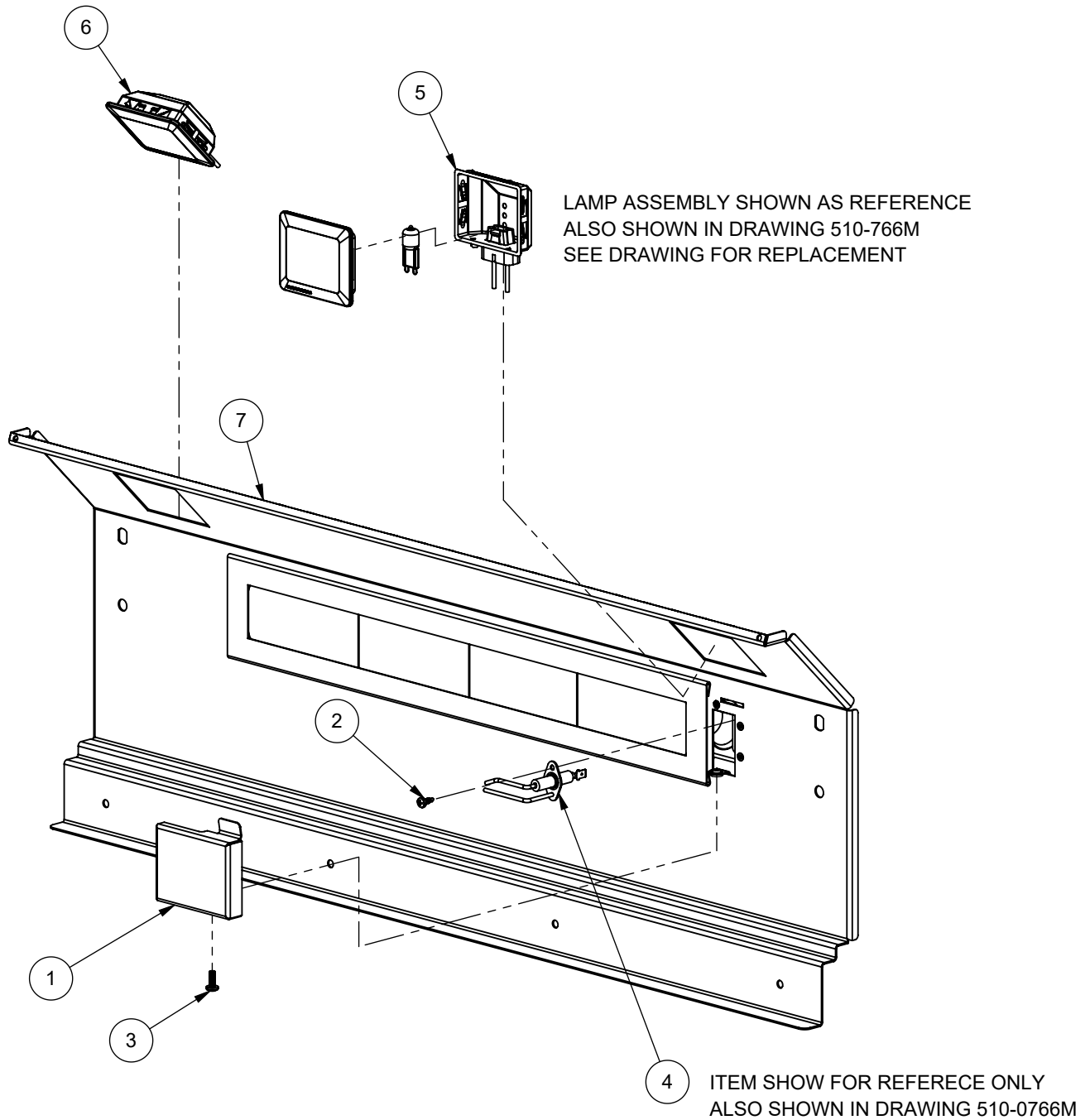
BILL OF MATERIAL

NO.	PART #	DESCRIPTION	QTY
1	510-1196	FRONT HOOD - WELDED PARTS - W/BUMPER	1
2	210-0490	THERMOMETER ASSEMBLY	1
3	290-0063	HANDLE - END CAP ASSEMBLY	2
4	290-0328	36" BBQ - FRONT HOOD HANDLE BAR	1
5	200-0087	WASHER, SPRING LOCK, 1/4", SS	4
6	200-0089	BOLT - HEX HEAD 1/4-20 x 1/2" L	4
7	290-0444	SPACER - 1/2" OD x 1/4" ID	2
8	290-0445	CLEVIS PIN - 1/4"Ø x 1-3/8	2
9	200-0092	1/4 X 1/8 X 5/8 FLAT WASHER - SPACER	2
10	290-0448	COTTER PIN - HAIRPIN 1/4" ~ 3/8" Pin Ø x 1-1/4" L x 5/64" WIRE	2
11	290-0465	BUMPER 600°F 1/2" DIA x 5/32" HEAD	2



ITEM	PART #	DESCRIPTION	QTY
1	100-2363	ROTISSERIE ELECTRODE COVER	1
2	200-0111	SCREW, SMS, 8-18 X 1/2", PH, PAN, TEK, 410 SS	1
3	200-0267	SCREW 10-32 X 1/2 - PAN HEAD - PHILLIPS	1
4	210-0240	ELECTRODE - DUAL TIP "L" SHAPE- ROTISSERIE	1
5	210-0488	LAMP FIXTURE ASSEMBLY - G9/120V/40W	1
6	210-0510	LAMP FIXTURE ASSEMBLY - G9/120V/40W	1
7	510-1226	ROTISSERIE PANEL - WELDED PARTS	1

REVISIONS			
REV.	DESCRIPTION	DATE	BY
A	UPDATED DRAWING	3/25/2026	AEC



Artisan[™]
Professional Grills by Alfresco