

Artisan™

Professional Grills by Alfresco



PARTS MANUAL
ART-32 & ARTP-32 MODELS
SN 25-134000 FORWARD

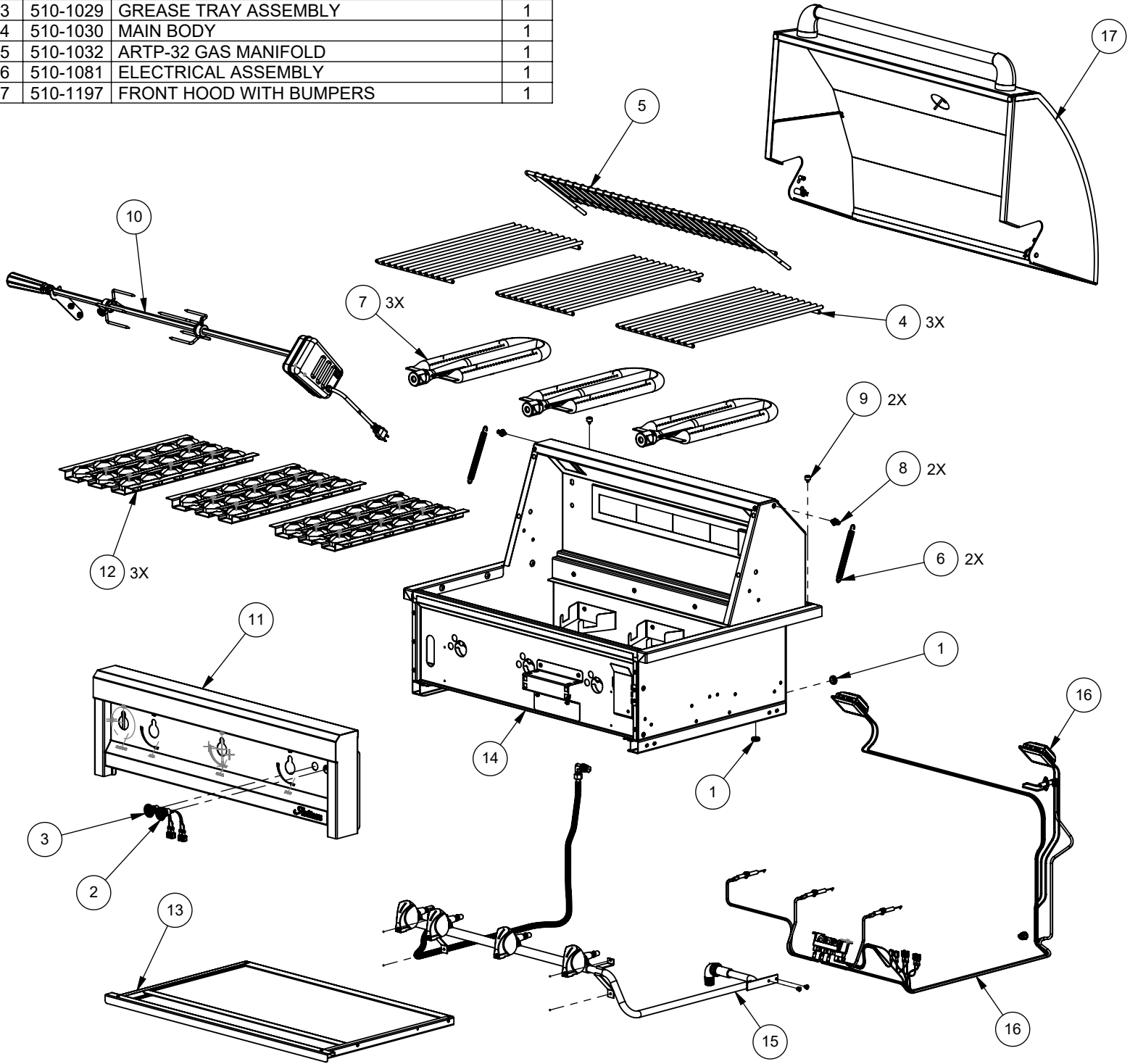
BILL OF MATERIAL

NO.	PART #	DESCRIPTION	QTY
1	200-0004	GROMMET 9/16" OD, 1/16" MAT'L, 7/16" ID	2
2	210-0583	SWITCH - IGNITION - MOMENTARY [ON]/OFF	1
3	210-0584	SWITCH - LIGHT - LATCHING [ON/OFF]	1
4	290-0323	BBQ GRID - 9.8125" WIDE	3
5	290-0360	WARMING GRID	1
6	290-0443	SPRING TEMPERED- .513 OD x 4.875 L	2
7	290-0446	U-BURNER	3
8	290-0447	HOOD SPRING LATCH	2
9	290-0469	BUMPER 1/2" Ø x 5/16" H - 600 °F	2
10	510-0551	ROTISSERIE KIT	1
11	510-1020	FRONT PANEL	1
12	510-1025	BRIQUETTE TRAY ASSEMBLY - 9-3/4"	3
13	510-1029	GREASE TRAY ASSEMBLY	1
14	510-1030	MAIN BODY	1
15	510-1032	ARTP-32 GAS MANIFOLD	1
16	510-1081	ELECTRICAL ASSEMBLY	1
17	510-1197	FRONT HOOD WITH BUMPERS	1



NOTE: ALTERNATE PARTS AND COMPONENTS BETWEEN ART-32 AND ARTP-32 GRILLS ARE LOCATED IN THESE ASSEMBLIES: (11) (14) (15) AND (16).

REFER TO THE APPROPRIATE DOCUMENTS FOR CORRECT PARTS FOR EACH MODEL.



REVISIONS			
REV.	DESCRIPTION	DATE	BY
A	MERGED ART-32 AND ARTP-32 MANUALS	3/24/2026	AEC

Artisan™
 SUPERIOR EQUIPMENT SOLUTIONS
 1085 BIXBY DRIVE
 CITY OF INDUSTRY, CA. 91745

THE INFORMATION CONTAINED IN THIS DRAWING IS THE SOLE PROPERTY OF SUPERIOR EQUIPMENT SOLUTIONS INC. ANY REPRODUCTION IN PART OR AS A WHOLE WITHOUT WRITTEN PERMISSION FROM SUPERIOR EQUIPMENT SOLUTIONS, INC. IS PROHIBITED.

DRAWN BY: N SILCOCK
LAST SAVED: 3/24/2026 10:06:55 AM

PROJECT TITLE:
ART-32 & ARTP-32

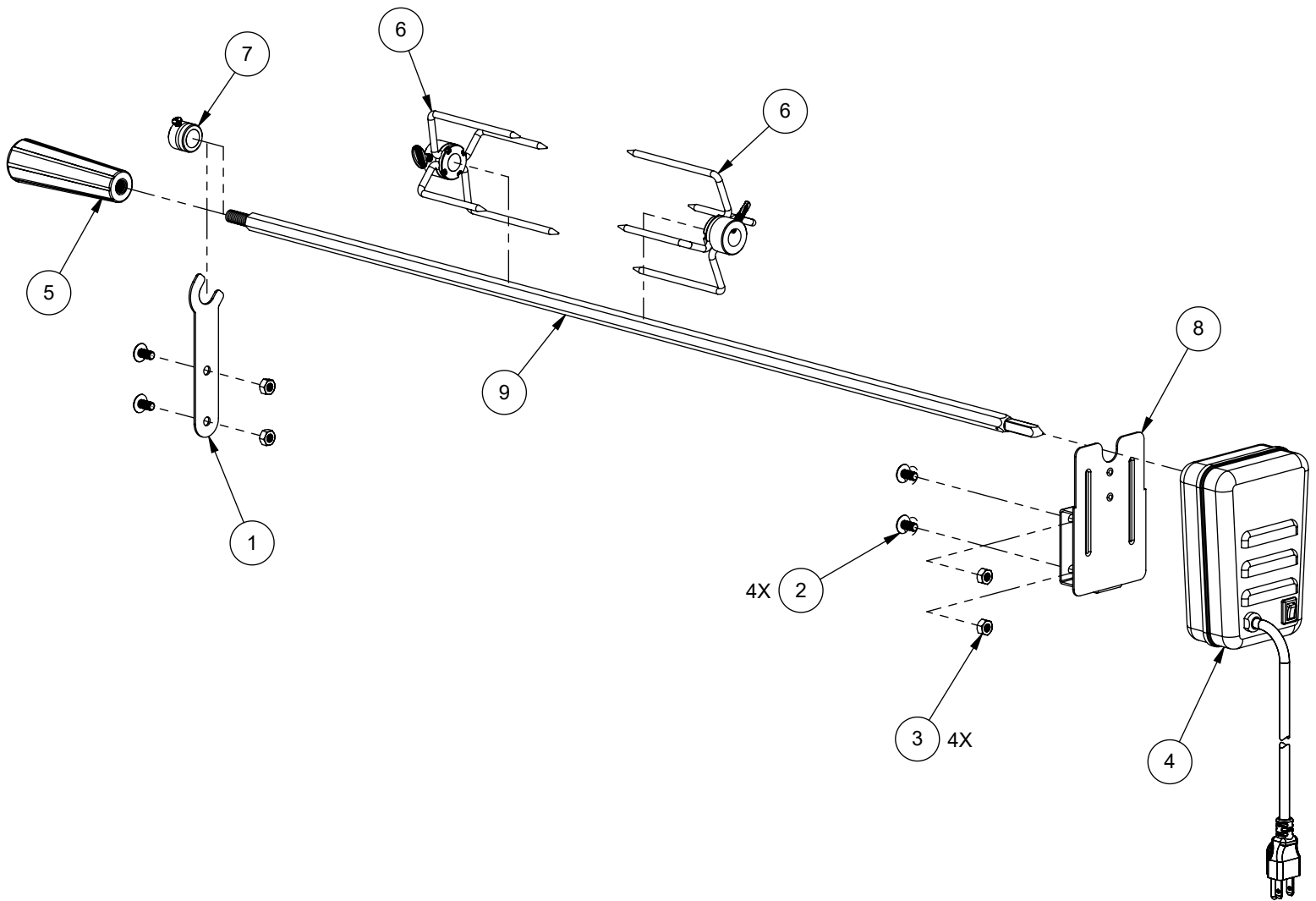
DRAWING TITLE:
BARBECUE MAIN ASSEMBLY

DRAWING NO.:
500-0187M

SHEET 1 OF 1

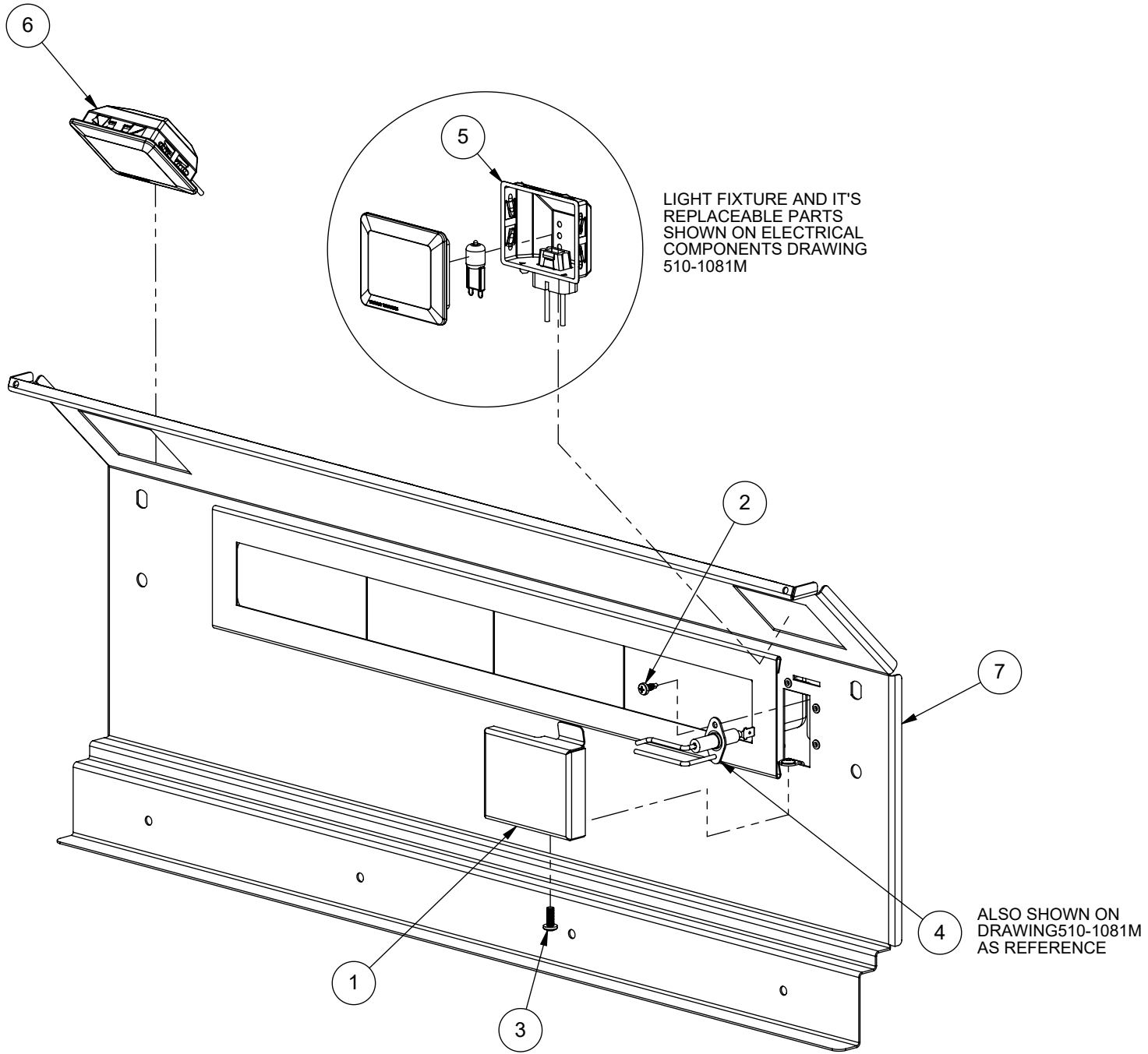
BILL OF MATERIAL

NO.	PART #	DESCRIPTION	QTY
1	100-2366	ROTISSERIE HOLDER BRACKET	1
2	200-0057	SCRW 1/4-20 X 1/2" - TRUSS HEAD PHILIPS	4
3	200-0090	1/4-20 - DOUBLE CHAMFER - HEX NUT	4
4	210-0493	ROTISSERIE MOTOR	1
5	290-0330	ROTISSERIE SPEAR HANDLE	1
6	290-0331	ROTISSERIE FORK ASSEMBLY	2
7	290-0332	ROTISSERIE BUSHING ASSEMBLY	1
8	290-0333	ROTISSERIE MOTOR MOUNT	1
9	290-0335	ROTISSERIE SPEAR 32"	1



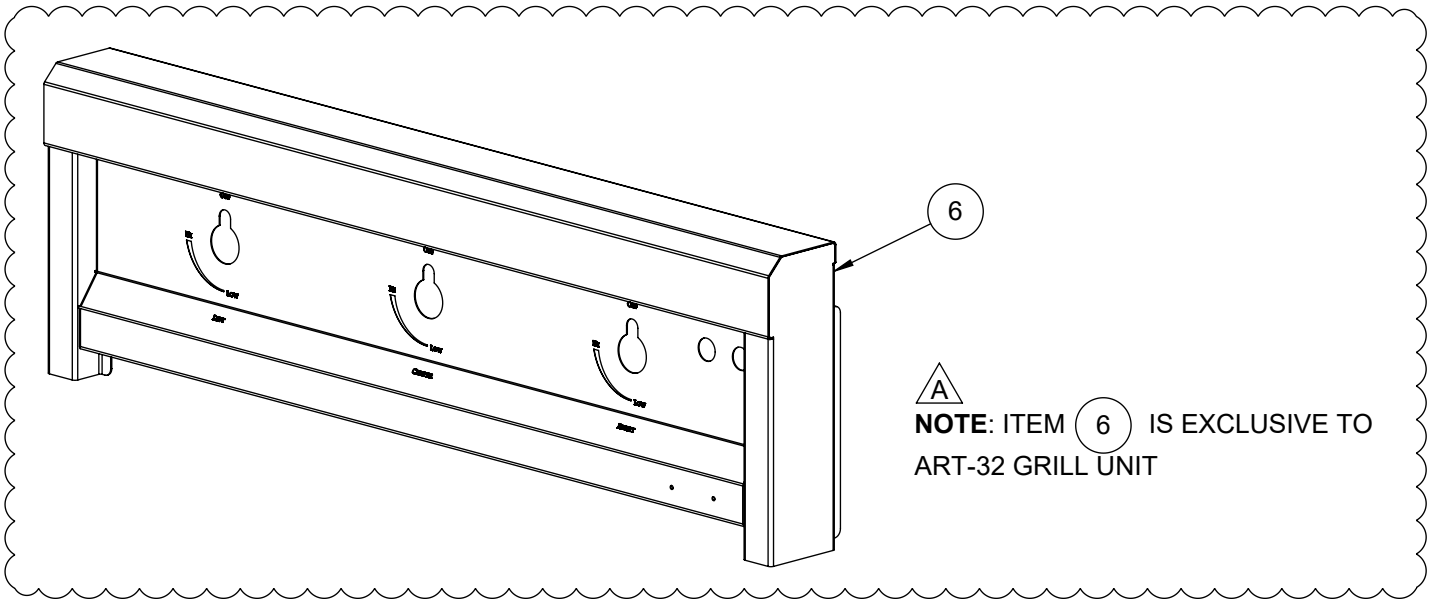
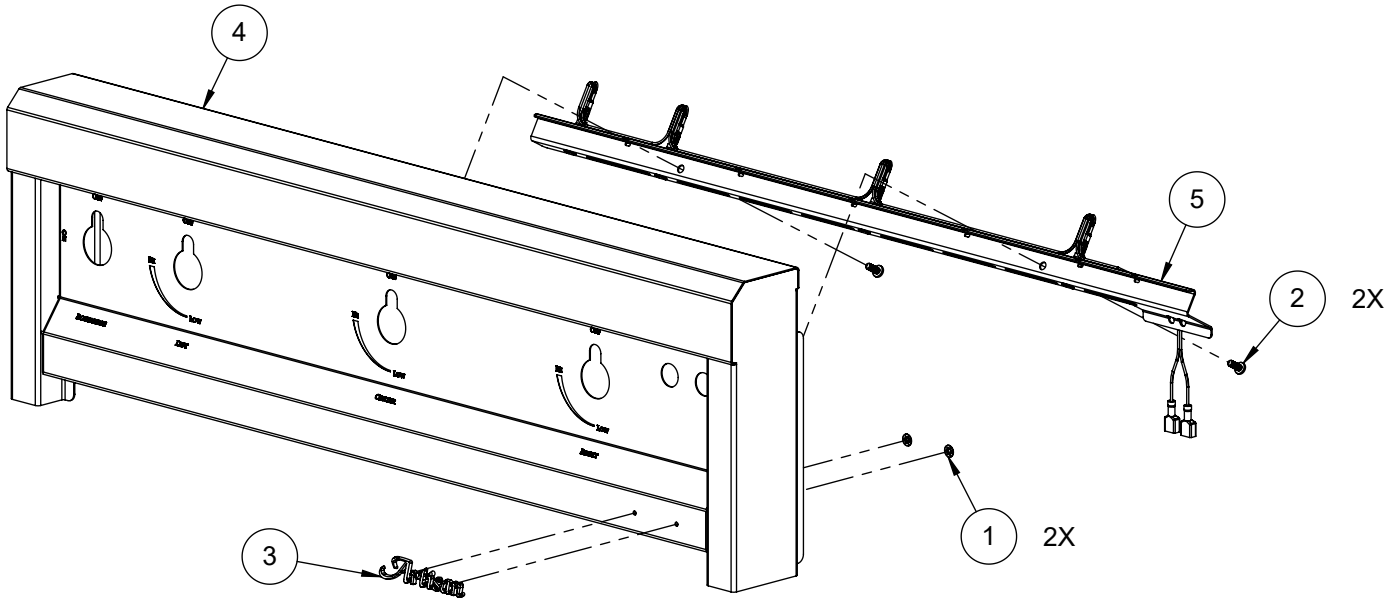
BILL OF MATERIAL

NO.	PART #	DESCRIPTION	QTY
1	100-2363	ROTISSERIE ELECTRODE COVER	1
2	200-0111	SCREW, SMS, 8-18 X 1/2", PH, PAN, TEK, 410 SS	1
3	200-0267	SCREW 10-32 X 1/2 - PAN HEAD - PHILLIPS	1
4	210-0240	ELECTRODE - DUAL TIP "L" SHAPE- ROTISSERIE	1
5	210-0488	LAMP FIXTURE ASSEMBLY - G9/120V/40W	1
6	210-0510	LAMP FIXTURE ASSEMBLY - G9/120V/40W	1
7	510-1545	ROTISSERIE BURNER PANEL - WELDED PARTS	1

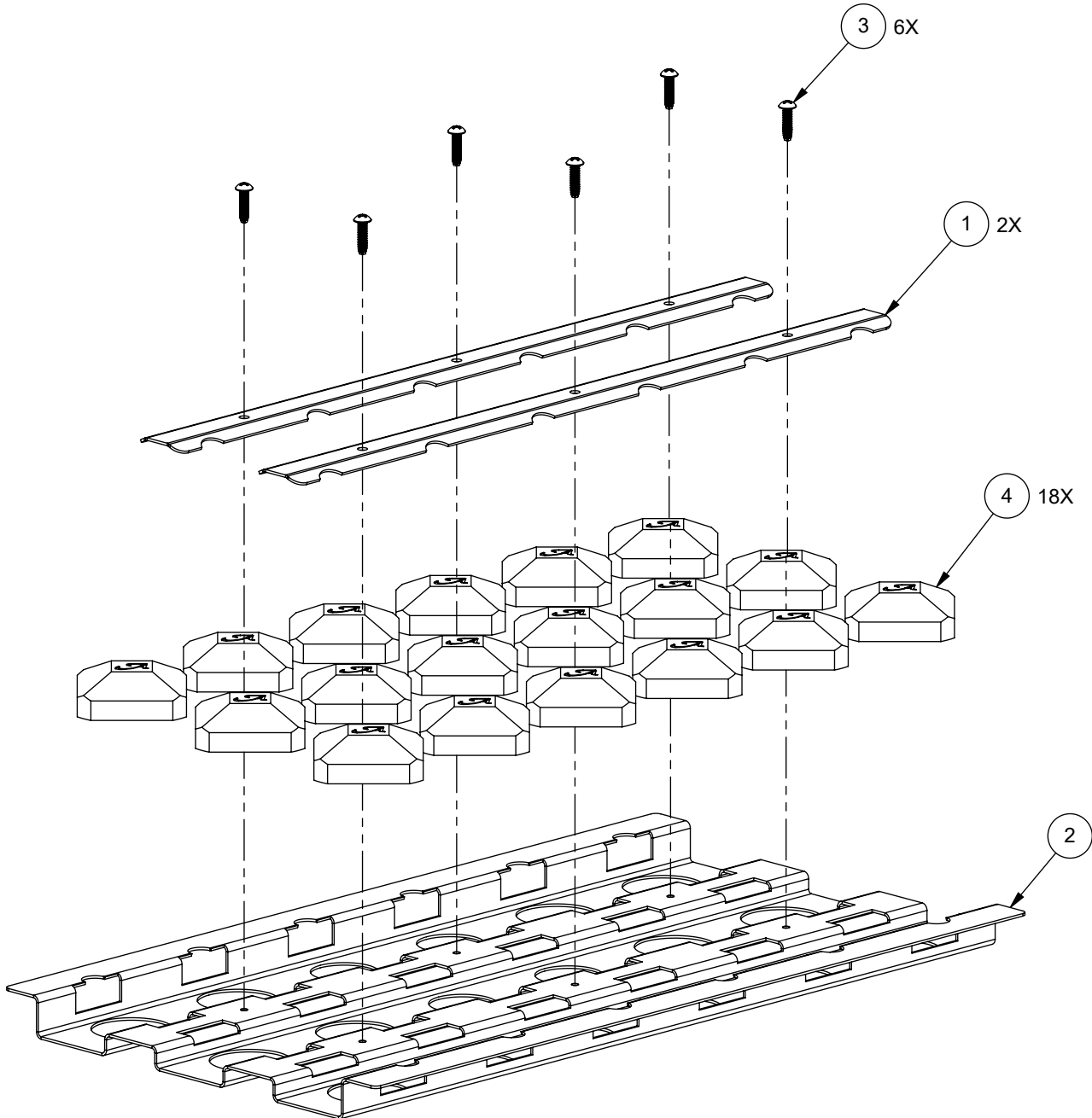


ITEM	PART #	DESCRIPTION	QTY
1	200-0093	WASHER, PUSH LOCK, 1/8" ID X 3/8" OD (LOGO)	2
2	200-0267	SCREW 10-32 X 1/2 - PAN HEAD - PHILLIPS	2
3	290-0356	ARTISAN LOGO	1
4	510-1021	FRONT PANEL - WELDED PARTS	1
5	510-1027	FRONT PANEL - LIGHT ASSEMBLY	1
6	510-1660	WELD ASSY, CONTROL PANEL, 32" ART	1

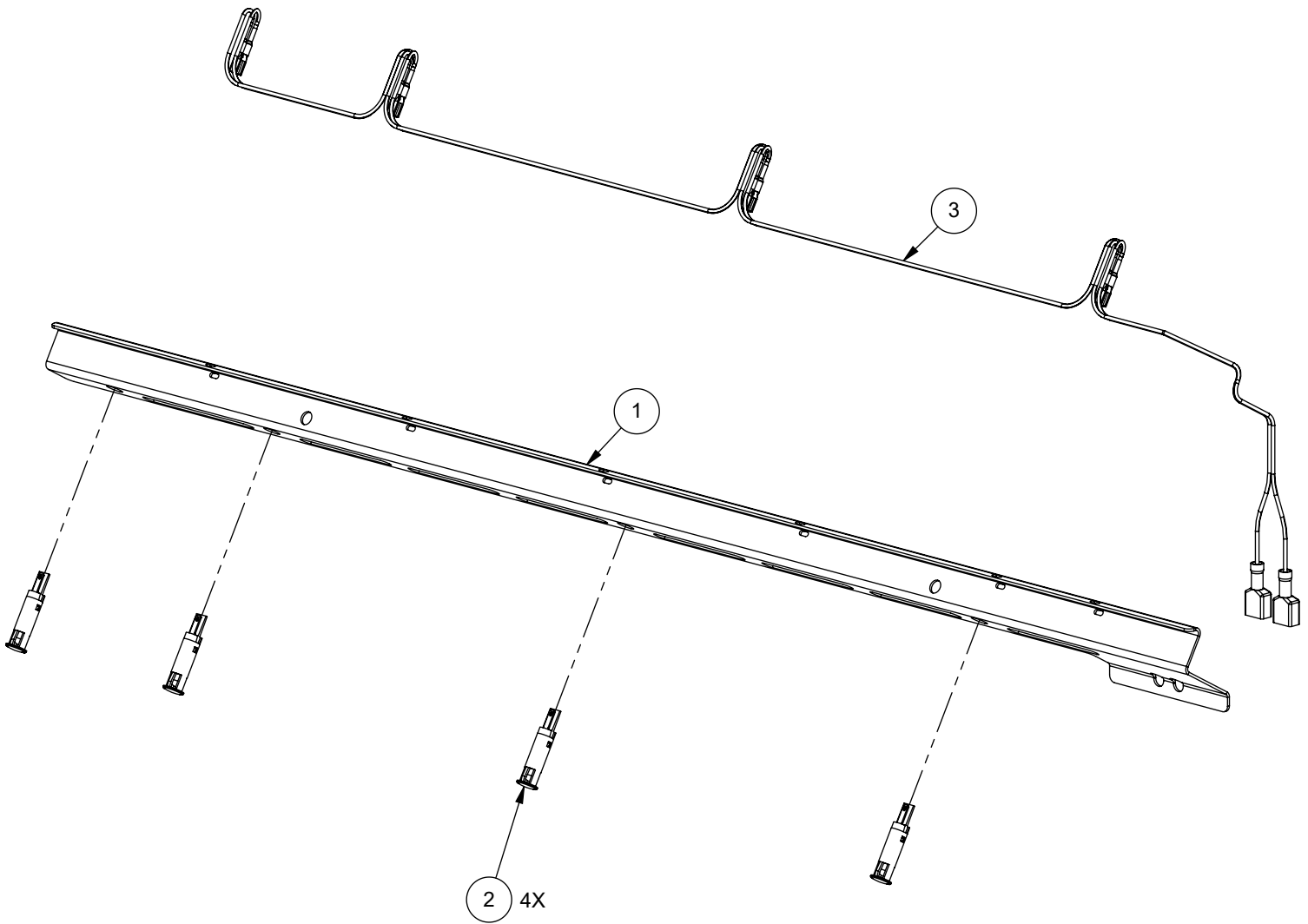
REVISIONS			
REV.	DESCRIPTION	DATE	BY
A	MERGED ART-32 & ARTP-32 MANUALS	3/24/2026	AEC



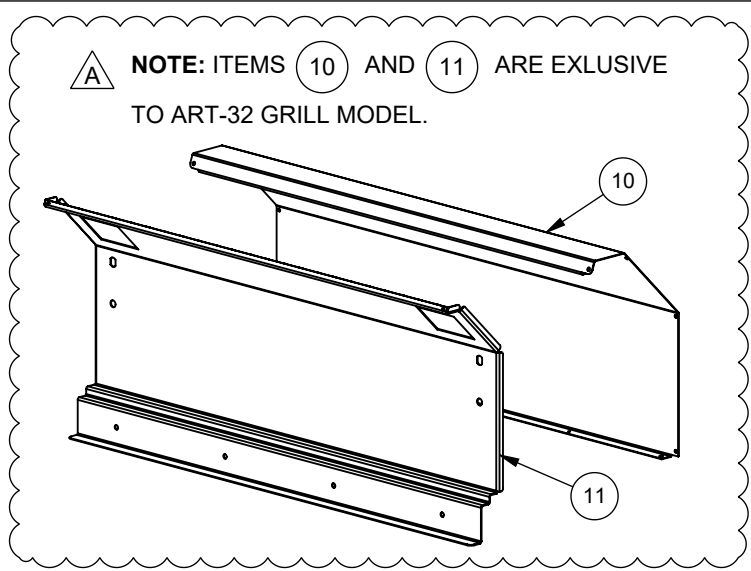
ITEM	PART #	DESCRIPTION	QTY
1	100-1895	BRIQUETTE LOCK BAR	2
2	100-2669	BRIQUETTE TRAY BASE - 9-5/8" WIDE	1
3	200-0314	SCREW, SMS, 8-32 x 5/8", PH, PAN, TYPE F, 410 SS	6
4	265-0005	CERAMIC BRIQUETTE W/ LOGO	18



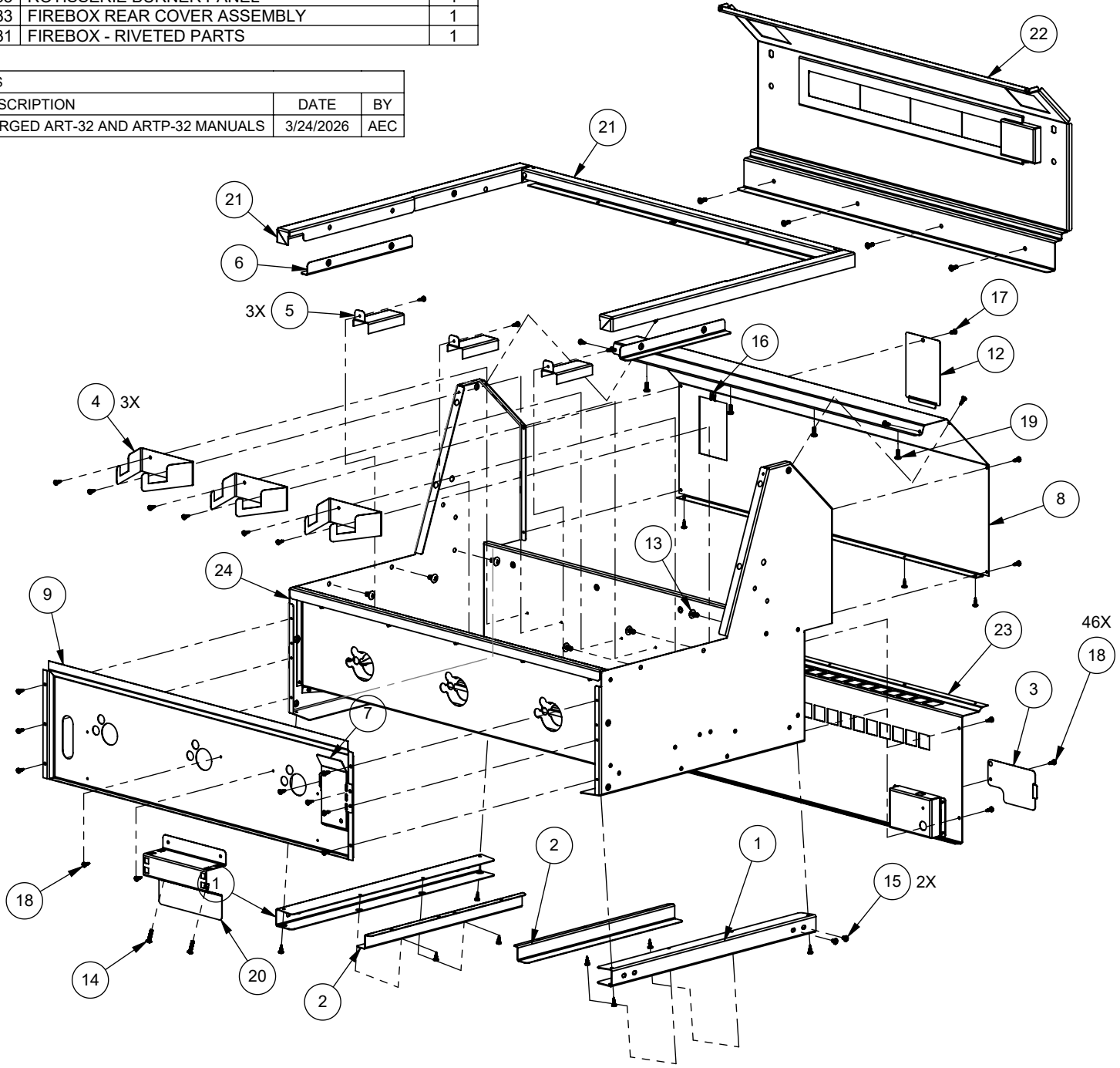
ITEM	PART #	DESCRIPTION	QTY
1	100-2677	FRONT PANEL LIGHT BRACKET	1
2	210-0624	LIGHT - BLUE LED - 8mm Ø - 110 VAC	4
3	210-0629	FRONT PANEL - LIGHT ASSEMBLY	1



ITEM	PART #	DESCRIPTION	QTY
1	100-2024	FIREBOX TRAY SLIDE PART-A	2
2	100-2025	FIREBOX TRAY SLIDE PART-B	2
3	100-2370	ELECTRICAL BOX COVER	1
4	100-2373	BURNER BRACKET	3
5	100-2374	IGNITER COVER - STANDARD	3
6	100-2378	PERIMETER RING BRACKET	2
7	100-2666	BUTTONS SHIELD - BRACKET	1
8	100-2672	BACK HOOD - REAR COVER	1
9	100-2675	FIREWALL	1
10	100-2703	BACK HOOD - REAR COVER	1
11	145-0615	INNER PANEL, BACK HOOD, 32", ART	1
12	150-2335	IR ORIFICE ACCESS COVER	1
13	200-0057	SCRW 1/4-20 X 1/2" - TRUSS HEAD PHILIPS	6
14	200-0062	SCREW 10-32 X 3/4 - PAN HEAD - PHILLIPS	2
15	200-0082	10-32 X 1/4 - PAN HEAD - PHILIPS SCREW	2
16	200-0084	NUT, TINNEMAN -"J" CLIP, 8-32, STEEL, BLK OX.	1
17	200-0100	SCREW 8-32 X 3/8 PAN HD PHILLIPS, SS	1
18	200-0111	SCREW, SMS, 8-18 X 1/2", PH, PAN, TEK, 410 SS	46
19	200-0267	SCREW 10-32 X 1/2 - PAN HEAD - PHILLIPS	8
20	510-0747	IGNITER BRACKET ASSEMBLY	1
21	510-0752	PERIMETER RING	1
22	510-0753	ROTISSERIE BURNER PANEL	1
23	510-0833	FIREBOX REAR COVER ASSEMBLY	1
24	510-1031	FIREBOX - RIVETED PARTS	1



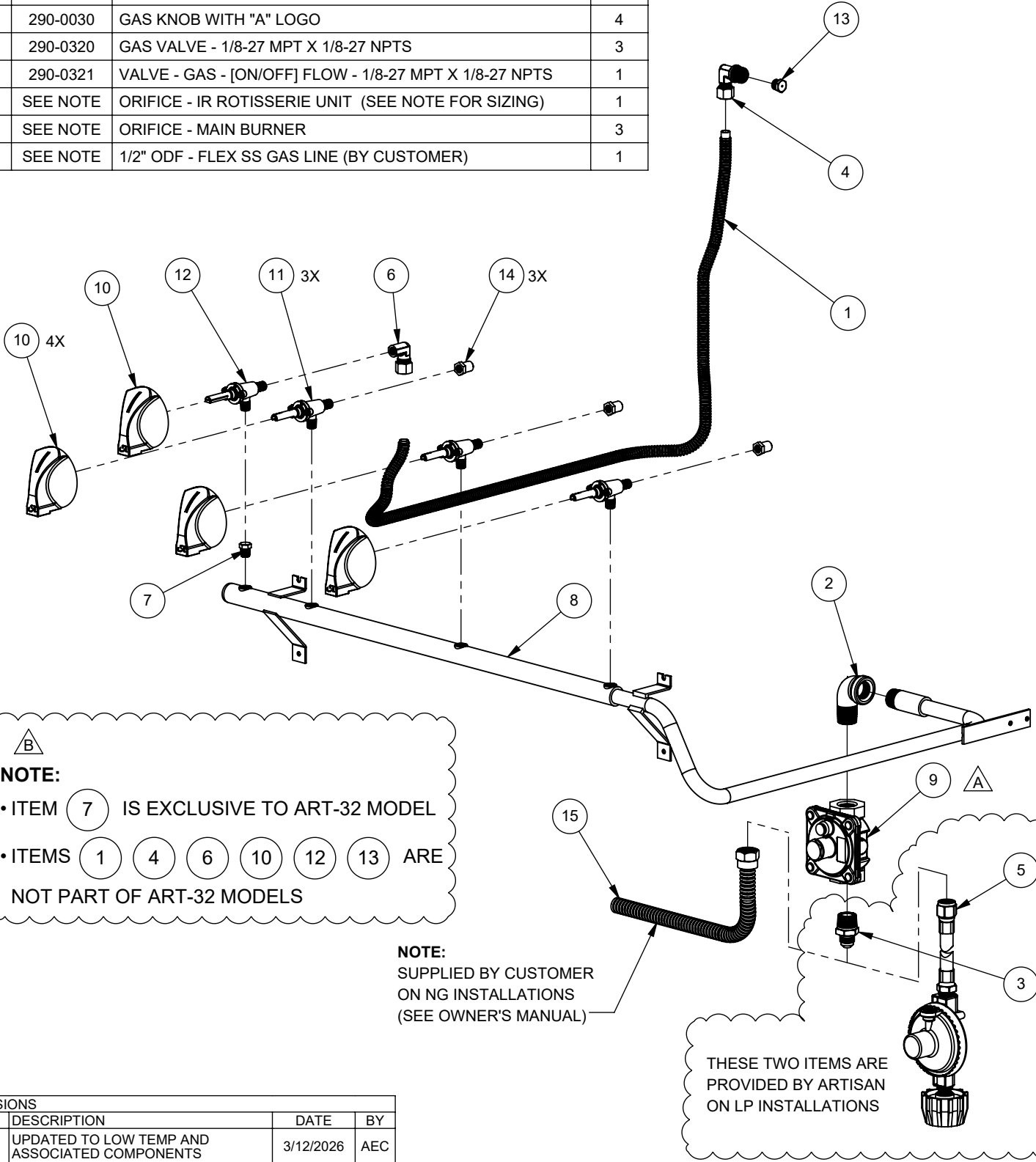
REVISIONS			
REV.	DESCRIPTION	DATE	BY
A	MERGED ART-32 AND ARTP-32 MANUALS	3/24/2026	AEC



ITEM	PART NO.	DESCRIPTION	QTY
1	100-1949	ROTISSERIE LINE - 36" L x 3/8" ID	1
2	200-0274	ELBOW, STREET, 1/2" NPT X 1/2" NPT-F, BLACK IRON	1
3	220-0275	NIPPLE, 1/2" NPT X 3/8" OD 45° FLARE, BRASS	1
4	220-0276	ELBOW, 3/8" NPT X 1/8" NPT-F INT. x 3/8" COMP., BRASS	1
5	220-0301	REGULATOR - SINGLE STAGE- LP GAS W/36" HOSE - GREEN	1
6	220-0399	ELBOW, 1/8-27 NPT-F x 3/8" COMP. BRASS	1
7	220-0434	PLUG, 1/8" NPT, HEX HEAD HOLLOW, BRASS	1
8	220-0469	ARTP-32 GAS MANIFOLD	1
9	220-0555	REGULATOR GAS - LOW TEMP - 4/10" W.C. CONV.	1
10	290-0030	GAS KNOB WITH "A" LOGO	4
11	290-0320	GAS VALVE - 1/8-27 MPT X 1/8-27 NPTS	3
12	290-0321	VALVE - GAS - [ON/OFF] FLOW - 1/8-27 MPT X 1/8-27 NPTS	1
13	SEE NOTE	ORIFICE - IR ROTISSERIE UNIT (SEE NOTE FOR SIZING)	1
14	SEE NOTE	ORIFICE - MAIN BURNER	3
15	SEE NOTE	1/2" ODF - FLEX SS GAS LINE (BY CUSTOMER)	1

NOTE: ORIFICE OR VALVE ASSEMBLY TO CHANGE ACCORDING TO FUEL TYPE: NATURAL GAS OR LIQUID PROPANE

ITEM	NG PART #	LP PART #
13	220-0283	220-0284
14 3X	220-0397	220-0471



NOTE:

- ITEM 7 IS EXCLUSIVE TO ART-32 MODEL
- ITEMS 1 4 6 10 12 13 ARE NOT PART OF ART-32 MODELS

NOTE:
SUPPLIED BY CUSTOMER ON NG INSTALLATIONS (SEE OWNER'S MANUAL)

THESE TWO ITEMS ARE PROVIDED BY ARTISAN ON LP INSTALLATIONS

REV.	DESCRIPTION	DATE	BY
A	UPDATED TO LOW TEMP AND ASSOCIATED COMPONENTS	3/12/2026	AEC
B	MERGED ART-32 & ARTP-32 MANUALS	3/24/2026	AEC

Artisan™
SUPERIOR EQUIPMENT SOLUTIONS
1085 BIXBY DRIVE
CITY OF INDUSTRY, CA. 91745

THE INFORMATION CONTAINED IN THIS DRAWING IS THE SOLE PROPERTY OF SUPERIOR EQUIPMENT SOLUTIONS INC. ANY REPRODUCTION IN PART OR AS A WHOLE WITHOUT WRITTEN PERMISSION FROM SUPERIOR EQUIPMENT SOLUTIONS, INC. IS PROHIBITED.

DRAWN BY: N SILCOCK
LAST SAVED: 3/25/2026 9:07:45 AM

PROJECT TITLE:
ART-32 & ARTP-32

DRAWING TITLE:
GAS MANIFOLD ASSEMBLY

DRAWING NO.:
510-1032M

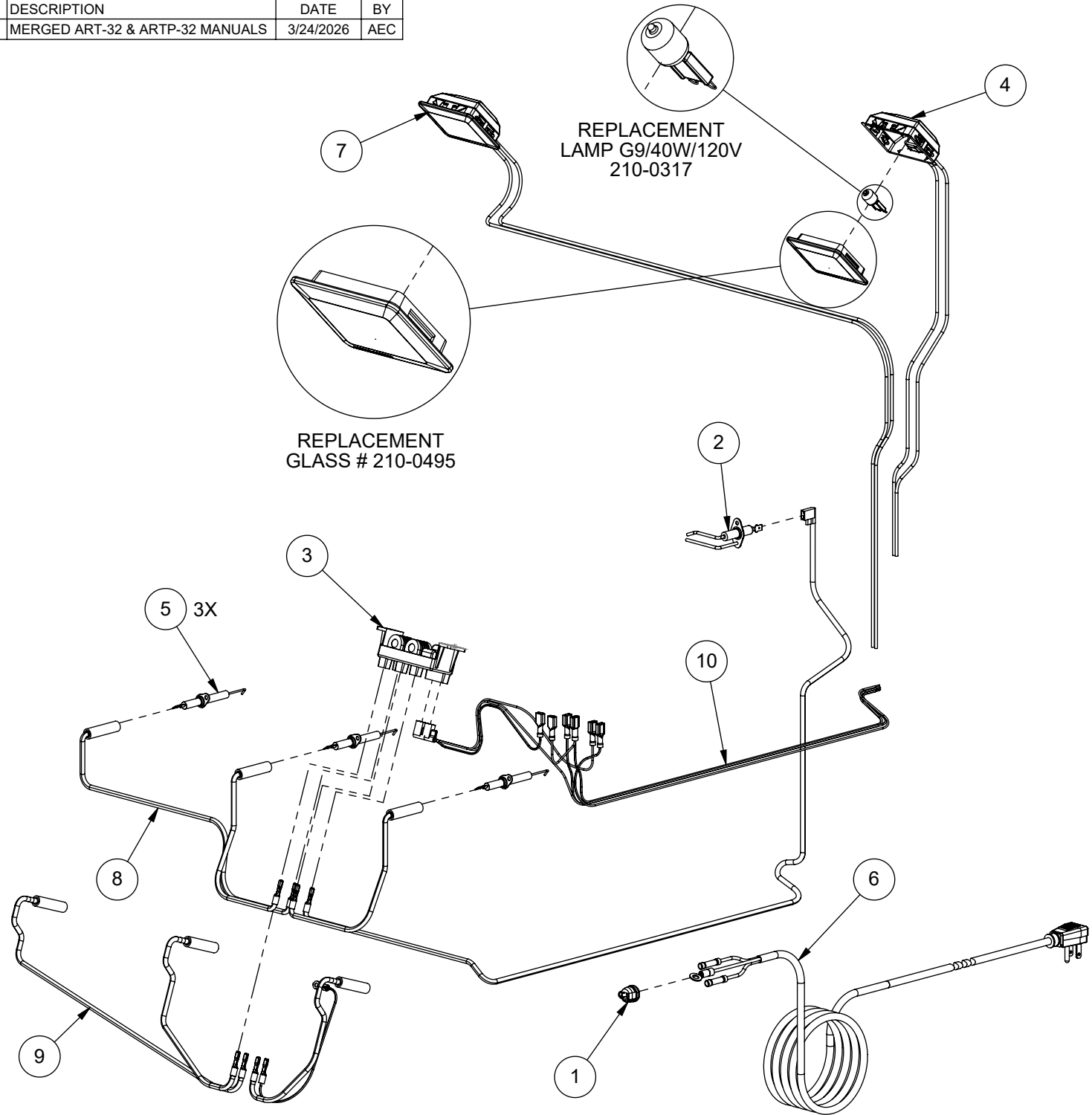
SHEET 1 OF 1

ITEM	PART #	DESCRIPTION	QTY
1	200-0009	STRAIN RELIEF, Ø.625 MOUNT HOLE X .062 THK., NYLON 6/6	1
2	210-0240	ELECTRODE - DUAL TIP "L" SHAPE- ROTISSERIE	1
3	210-0465	IGNITER MODULE (4 POINTS)	1
4	210-0488	LAMP FIXTURE ASSEMBLY - G9/120V/40W	1
5	210-0491	U-BURNER ELECTRODE TIP	3
6	210-0499	CABLE 115/120V 10A 18/3 SJTOW - 96"- 90° PLUG NEMA 5-15	1
7	210-0510	LAMP FIXTURE ASSEMBLY - G9/120V/40W	1
8	210-0541	IGNITER WIRE KIT	1
9	210-0546	IGNITER WIRE KIT	1
10	210-0640	HARNESS	1

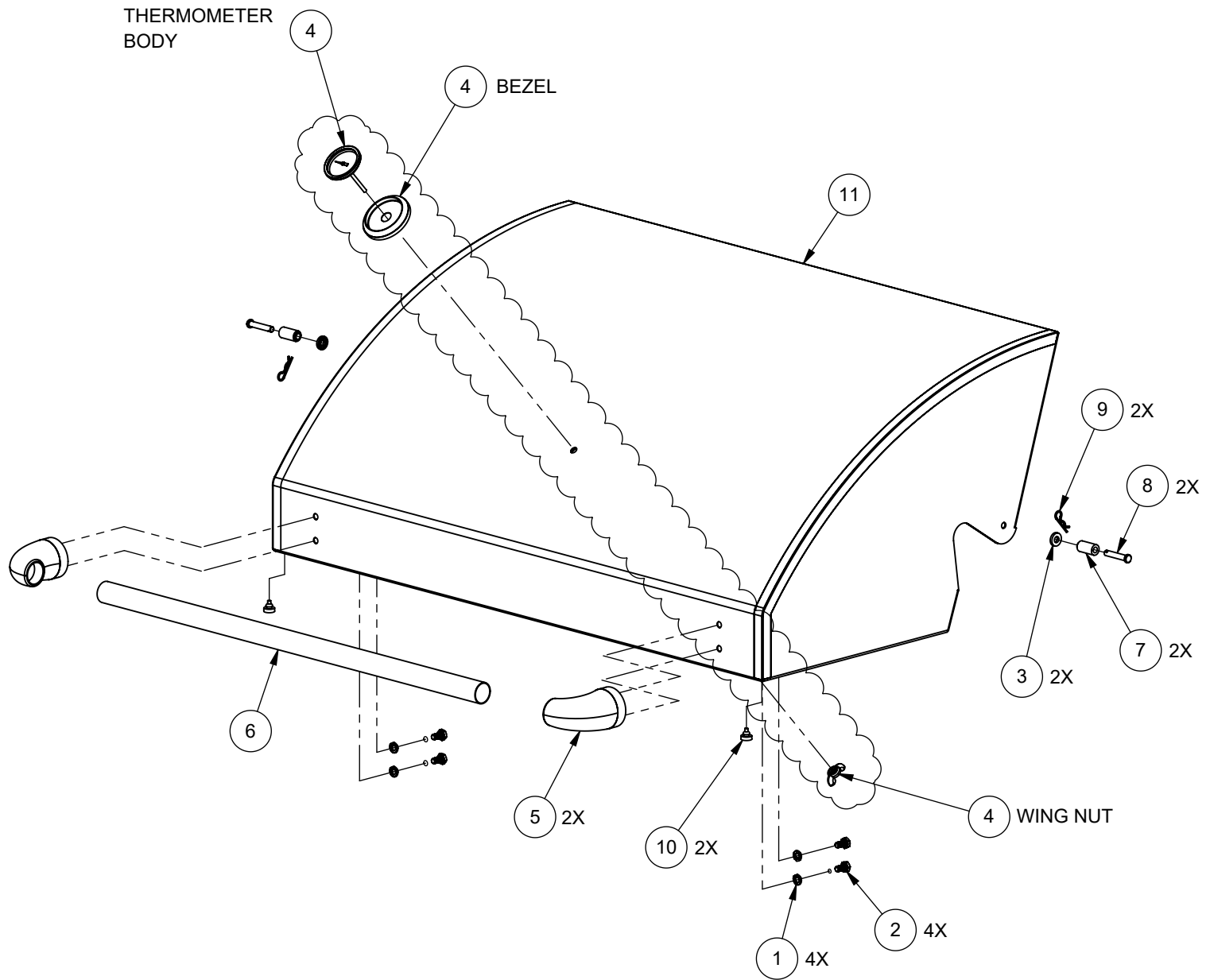
NOTE: ▲

- ITEM 9 EXCLUSIVE TO ART-32
- ITEMS 2 AND 8 ONLY APPLY TO ARTP-32

REVISIONS			
REV.	DESCRIPTION	DATE	BY
A	MERGED ART-32 & ARTP-32 MANUALS	3/24/2026	AEC



ITEM	PART #	DESCRIPTION	QTY
1	200-0087	WASHER, SPRING LOCK, 1/4", SS	4
2	200-0089	BOLT - HEX HEAD 1/4-20 x 1/2" L	4
3	200-0092	1/4 X 1/8 X 5/8 FLAT WASHER - SPACER	2
4	210-0490	THERMOMETER ASSEMBLY	1
5	290-0063	HANDLE - END CAP ASSEMBLY	2
6	290-0316	32" BBQ FRONT HOOD HANDLE BAR	1
7	290-0444	SPACER - 1/2" OD x 1/4" ID	2
8	290-0445	CLEVIS PIN - 1/4"Ø x 1-3/8	2
9	290-0448	COTTER PIN - HAIRPIN 1/4" ~ 3/8" Pin Ø x 1-1/4" L x 5/64" WIRE	2
10	290-0465	BUMPER 600°F 1/2" DIA x 5/32" HEAD	2
11	510-1198	FRONT HOOD - WELDED PARTS - W/BUMPER	1



Artisan[™]
Professional Grills by Alfresco