

Artisan



ART-26
BUILT-IN 26" BBQ GRILL WITH DUAL BURNERS
UP TO SERIAL # 12-40000

Artisan

SUPERIOR EQUIPMENT SOLUTIONS
7039 EAST SLAUSON AVENUE
COMMERCE, CA. 90040

THE INFORMATION CONTAINED IN THIS DRAWING IS THE SOLE PROPERTY OF SUPERIOR EQUIPMENT SOLUTIONS INC. ANY REPRODUCTION IN PART OR AS A WHOLE WITHOUT WRITTEN PERMISSION FROM SUPERIOR EQUIPMENT SOLUTIONS, INC. IS PROHIBITED.

DRAWN BY: ADRIAN CRISCI
CREATED: 6/22/2011 9:43:51 AM

PROJECT TITLE:
ARTISAN GRILLS

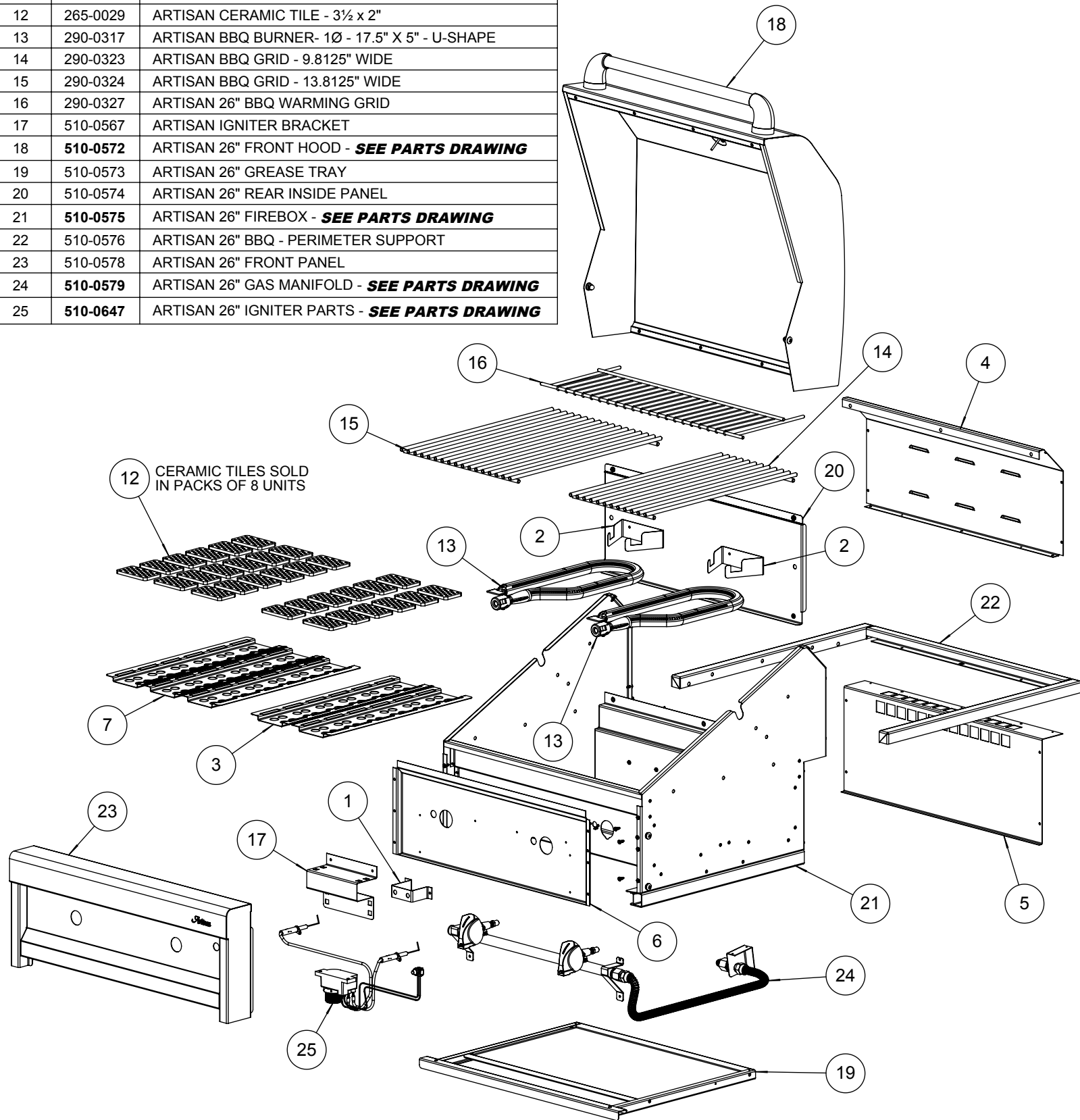
DRAWING TITLE:
PARTS AND COMPONENTS MANUAL

DRAWING NO.:
500-0093 MANUAL

SHEET 1 OF 1

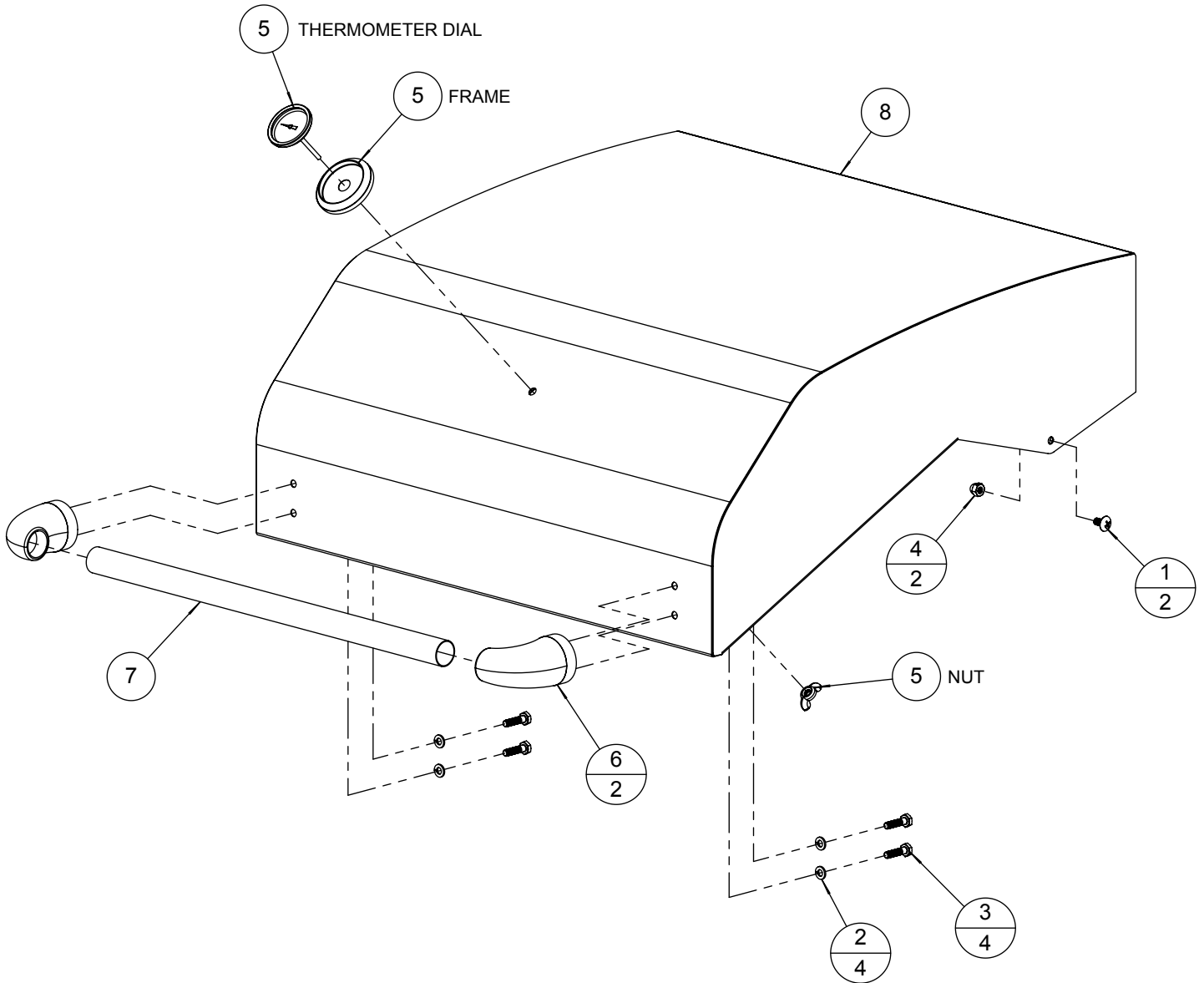
BILL OF MATERIALS

| ITEM | PART N° | DESCRIPTION |
|------|-----------------|--|
| 1 | 100-2038 | ARTISAN IGNITER & LIGHT SWITCH BRACKET |
| 2 | 100-2048 | ARTISAN BURNER BRACKET |
| 3 | 100-2070 | ARTISAN 9-3/4" CERAMIC TILE TRAY |
| 4 | 100-2076 | ARTISAN 26" REAR OUTSIDE PANEL |
| 5 | 100-2079 | ARTISAN 26" FIREBOX REAR COVER |
| 6 | 100-2081 | ARTISAN 26" FIREWALL |
| 7 | 100-2089 | ARTISAN 13-3/4" CERAMIC TILE TRAY |
| 12 | 265-0029 | ARTISAN CERAMIC TILE - 3½ x 2" |
| 13 | 290-0317 | ARTISAN BBQ BURNER- 1Ø - 17.5" X 5" - U-SHAPE |
| 14 | 290-0323 | ARTISAN BBQ GRID - 9.8125" WIDE |
| 15 | 290-0324 | ARTISAN BBQ GRID - 13.8125" WIDE |
| 16 | 290-0327 | ARTISAN 26" BBQ WARMING GRID |
| 17 | 510-0567 | ARTISAN IGNITER BRACKET |
| 18 | 510-0572 | ARTISAN 26" FRONT HOOD - SEE PARTS DRAWING |
| 19 | 510-0573 | ARTISAN 26" GREASE TRAY |
| 20 | 510-0574 | ARTISAN 26" REAR INSIDE PANEL |
| 21 | 510-0575 | ARTISAN 26" FIREBOX - SEE PARTS DRAWING |
| 22 | 510-0576 | ARTISAN 26" BBQ - PERIMETER SUPPORT |
| 23 | 510-0578 | ARTISAN 26" FRONT PANEL |
| 24 | 510-0579 | ARTISAN 26" GAS MANIFOLD - SEE PARTS DRAWING |
| 25 | 510-0647 | ARTISAN 26" IGNITER PARTS - SEE PARTS DRAWING |



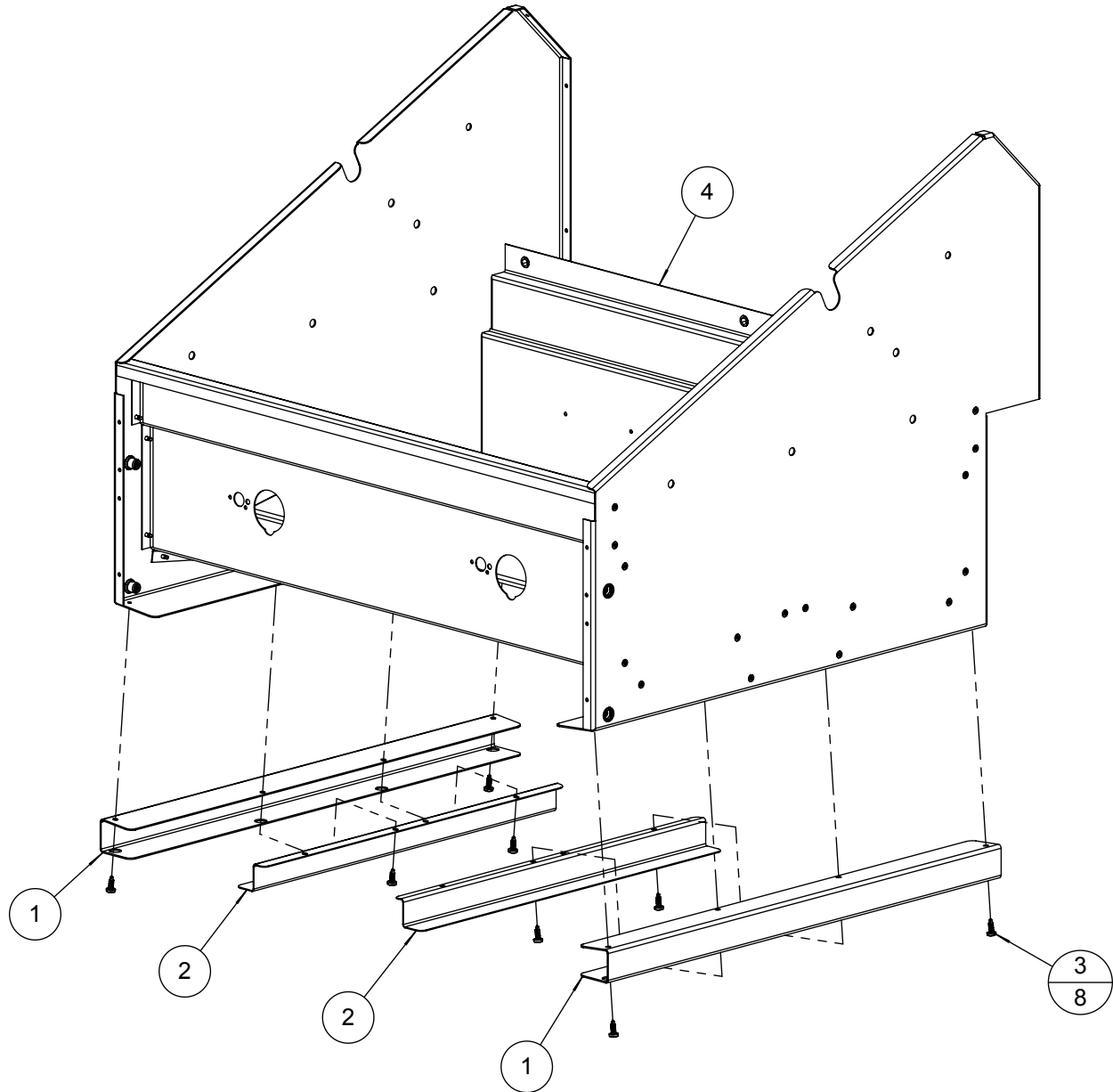
BILL OF MATERIALS

| ITEM | PART N° | DESCRIPTION | QTY. |
|------|----------|---|------|
| 1 | 200-0057 | SCREW 1/4-20 X 1/2 - TRUSS HEAD - PHILIPS | 2 |
| 2 | 200-0087 | WASHER - 1/4" SPRING LOCK- REGULAR - SS | 4 |
| 3 | 200-0091 | HH- HD - 1/4-20 x 1 x .75 THREAD | 4 |
| 4 | 200-0313 | NUT ¼ x 20 - ACORN - SELF LOCKING | 2 |
| 5 | 210-0490 | ARTISAN THERMOMETER ASSEMBLY | 1 |
| 6 | 290-0063 | HANDLE - END CAP ASSEMBLY | 2 |
| 7 | 290-0326 | ARTISAN 26" BBQ - FRONT HOOD HANDLE BAR | 1 |
| 8 | 510-0571 | ARTISAN 26" BBQ - FRONT HOOD WELDED / ASSEMBLED PARTS | 1 |



BILL OF MATERIALS

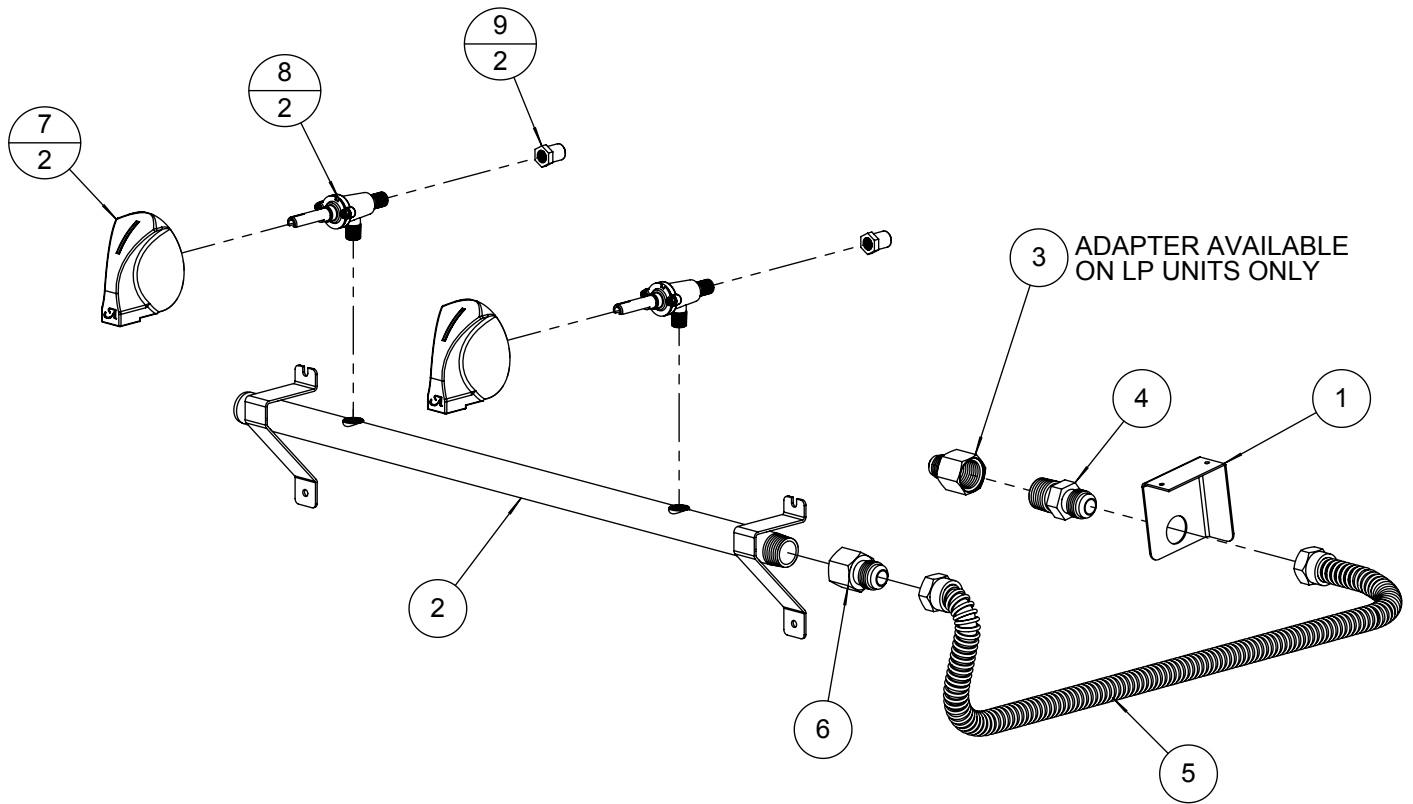
| ITEM | PART N° | DESCRIPTION | QTY |
|------|----------|------------------------------------|-----|
| 1 | 100-2024 | FIREBOX TRAY SLIDE PART-A | 2 |
| 2 | 100-2025 | FIREBOX TRAY SLIDE PART-B | 2 |
| 3 | 200-0111 | SCREW 8-18 X ½ - SELF TAP - 410 SS | 8 |
| 4 | 510-0557 | ART-26 FIREBOX - RIVETED PARTS | 1 |



BILL OF MATERIALS

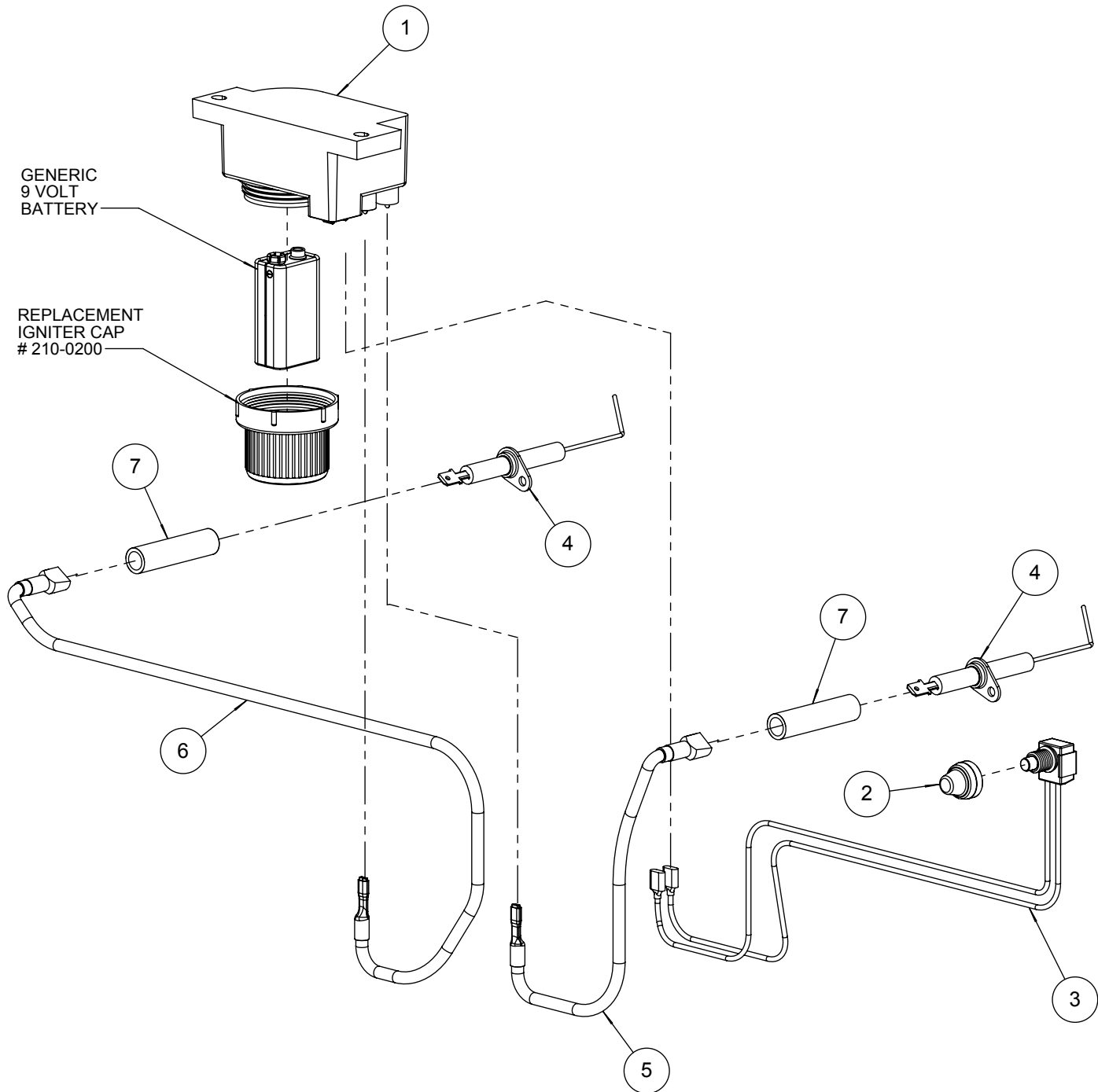
| ITEM | PART N° | DESCRIPTION | QTY |
|------|----------|--|-----|
| 1 | 100-2124 | ARTISAN GAS PIPELINE CONNECTION BRACKET | 1 |
| 2 | 220-0400 | GAS MANIFOLD - ARTISAN 26" BBQ | 1 |
| 3 | 220-0403 | NIPPLE 3/8" OD FL x 1/2" FPT (FOR LP HOOK-UP) | 1 |
| 4 | 220-0406 | NIPPLE 1/2" OD FL x 1/2" MPT x 3/8" FPT | 1 |
| 5 | 220-0407 | ARTISAN - 1/2" ODF x 26"L- FLEX SS GAS LINE | 1 |
| 6 | 220-0408 | NIPPLE 1/2" OD FL x 1/2" FPT | 1 |
| 7 | 290-0030 | ARTISAN GAS KNOB WITH "A" LOGO | 2 |
| 8 | 290-0320 | VALVE - GAS - VARIABLE FLOW - 1/8-27 MPT X 1/8-27 NPTS | 2 |
| 9 | SEE NOTE | ORIFICE - MAIN BURNER - (SEE NOTE FOR SIZING) | 2 |

| ITEM 9 ORIFICE / FUEL USAGE | | |
|-----------------------------|----------|------|
| FUEL | PART # | SIZE |
| NG | 220-0397 | 50 |
| LP | 220-0398 | 57 |



BILL OF MATERIALS

| ITEM | PART N° | DESCRIPTION | QTY. |
|------|----------|--|------|
| 1 | 210-0195 | IGNITER MODULE - 2 POINTS (WITH CAP) | 1 |
| 2 | 210-0198 | SWITCH - WEATHER BOOT & CAP | 1 |
| 3 | 210-0340 | SWITCH BBQ - IGNITER - OFF/[ON] MOMENTARY - W/ 10½" LEADS 1/4"QT | 1 |
| 4 | 210-0491 | ARTISAN U-BURNER ELECTRODE TIP | 2 |
| 5 | SEE NOTE | ARTISAN IGNITER WIRE - 10" LONG - RIGHT BURNER | 1 |
| 6 | SEE NOTE | ARTISAN IGNITER WIRE - 16" LONG - LEFT BURNER | 1 |
| 7 | SEE NOTE | INSULATION SLEEVE - SILICONE 7/16" OD x 5/16" ID x 1-3/4" L | 2 |



NOTE:

ITEM (5) , (6) AND (7) ARE AVAILABLE UNDER KIT #: 210-0540

ITEMS ARE NOT SOLD SEPARATELY.