

TM

AlfrescoTM

Open Air Culinary Systems



AIPG-36 & AIPG-42

PARTS MANUAL

AIPG-36 & AIPG-42 BBQ PART MANUAL PARTS AND NOMENCLATURE:

Please note the following points when looking for parts in this manual pages:

- The AIPG-36 and AIPG-42 BBQ's are nearly identical units except for the following:
 - Overall dimensions.
 - Main Burner and Rotisserie Burner sizes and Orifices.
 - LED lighting bar.
 - Grill Grate and warming rack sizes.
 - Spear Rod sizes.
 - Rotisserie Glass size.
 - Sheet metal components and assemblies.
- Most components (except for sheetmetal parts & assemblies) are common parts between both BBQ's.
- The following diagrams are based on the AIPG-42 model with additional information for the AIPG-36 unique parts and assemblies.
- Refer to the Bill of Materials (BOM) on each diagram for each specific BBQ size component and note:
 - If the part list states "**SAME**" it means the same part is used in both AIPG-36 and AIPG-42 units.
 - If the part list states "**SEE DWG**" refer to the AIPG-42 drawing for more information or look for additional information within the same page.
 - If the part list states "**SEE NOTE**" refer to the same page notes or table for additional part numbers depending on unit size and fuel type.

INQUIRIES & INFORMATION:#

For all other Alfresco™ Gourmet Grill information such as power, installation, cut-out requirements, or any other product inquiries, visit us on the Web at:

www.alfrescogrills.com

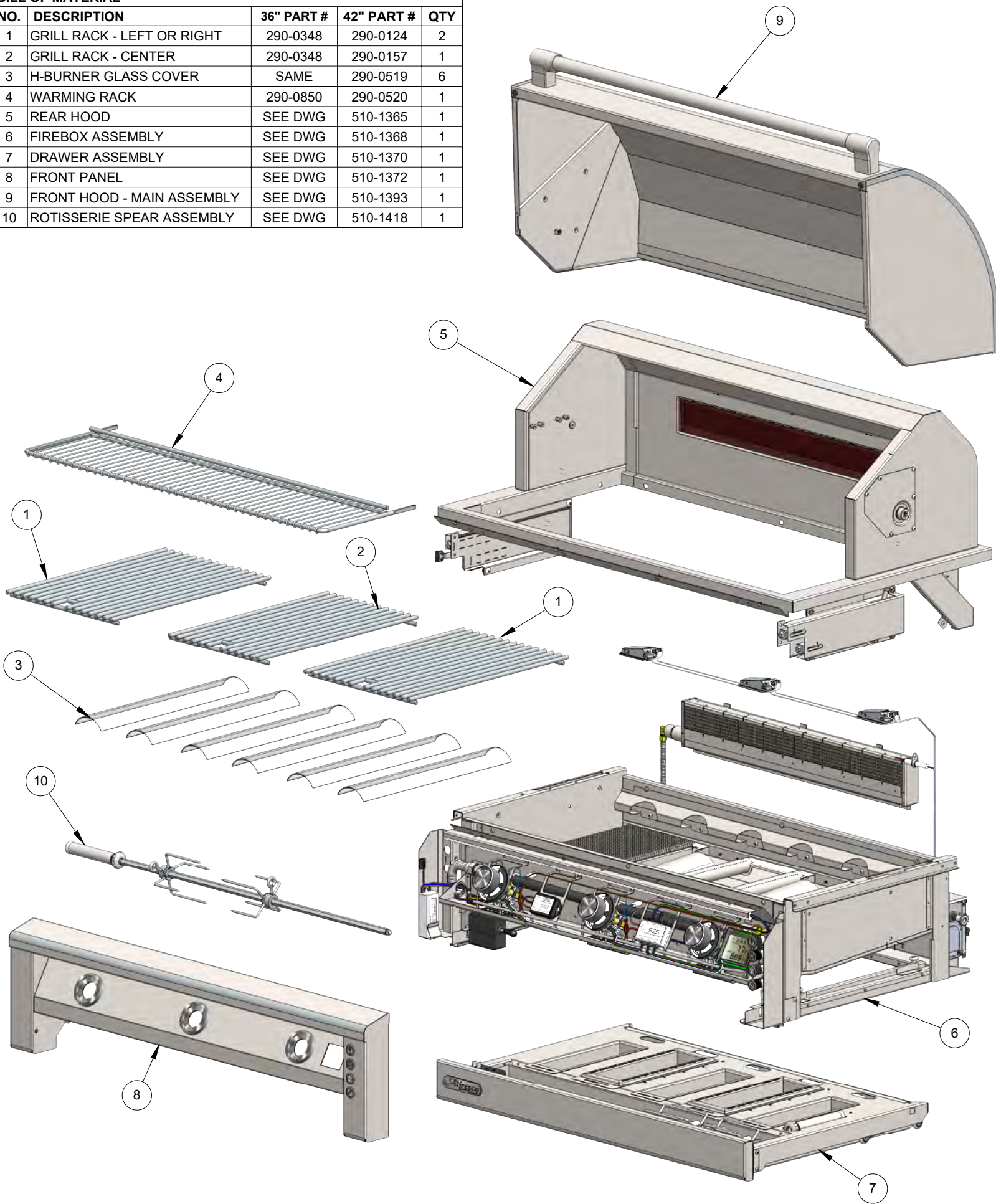
Or contact us at:

Alfresco Gourmet Grills.
Customer Service Department.
1085 Bixby Drive
City of Industry, CA. 91745

Toll free: (888) 383-8800
Direct: (323) 722-7900
Fax: (323) 726-4700

BILL OF MATERIAL

NO.	DESCRIPTION	36" PART #	42" PART #	QTY
1	GRILL RACK - LEFT OR RIGHT	290-0348	290-0124	2
2	GRILL RACK - CENTER	290-0348	290-0157	1
3	H-BURNER GLASS COVER	SAME	290-0519	6
4	WARMING RACK	290-0850	290-0520	1
5	REAR HOOD	SEE DWG	510-1365	1
6	FIREBOX ASSEMBLY	SEE DWG	510-1368	1
7	DRAWER ASSEMBLY	SEE DWG	510-1370	1
8	FRONT PANEL	SEE DWG	510-1372	1
9	FRONT HOOD - MAIN ASSEMBLY	SEE DWG	510-1393	1
10	ROTISSERIE SPEAR ASSEMBLY	SEE DWG	510-1418	1



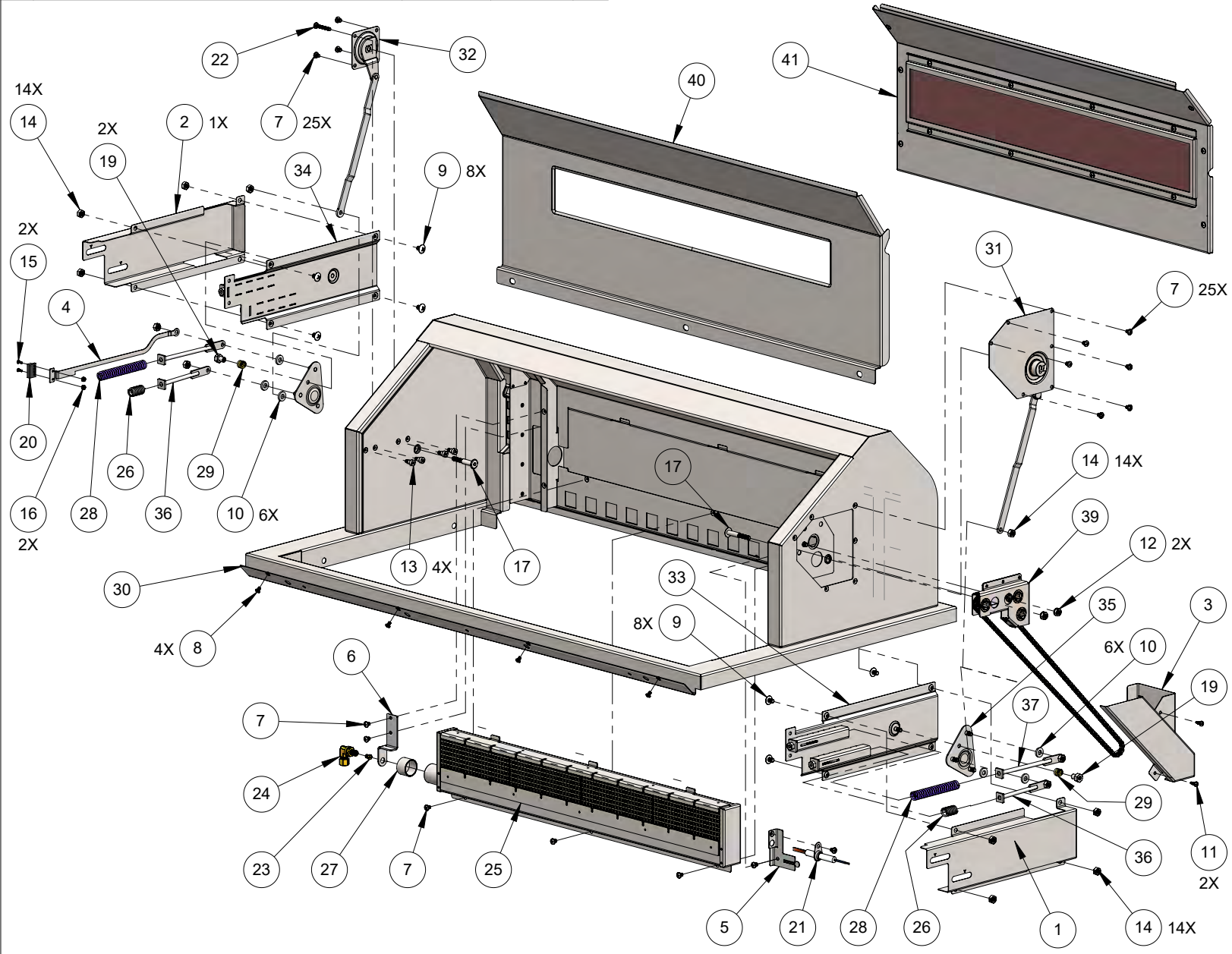
BILL OF MATERIALS

NO.	DESCRIPTION	36" PART #	42" PART #	QTY
1	RIGHT FULCRUM ASSEMBLY COVER	SAME	100-3359	1
2	LEFT FULCRUM ASSEMBLY COVER	SAME	100-3360	1
3	CHAIN & WIRE COVER	SAME	100-3367	1
4	FRONT REED MAGNET LEVER	SAME	100-3375	1
5	ROTISSERIE IGNITER BRACKET	SAME	100-3436	1
6	ORIFICE SUPPORT BRACKET	SAME	100-3840	1
7	10-32 X 1/4 - PAN HEAD - PHILIPS SCREW	SAME	200-0082	25
8	8-32 X 1/4 - PAN HEAD - PHILIPS SCREW	SAME	200-0083	4
9	SCREW 1/4-20 X 3/8" - TRUSS HEAD PHILIPS	SAME	200-0086	8
10	1/4 X 1/8 X 5/8 FLAT WASHER - SPACER	SAME	200-0092	6
11	SCREW, SMS, 8-18 X 1/2", PH, PAN, TEK, 410 SS	SAME	200-0111	2
12	NUT, KEPS, 1/4-20 UNC, SS	SAME	200-0350	2
13	SCREW, SHOULDER, 10-32 X 1/4 LG. X Ø1/4 X 1/4 LG. SHOULDER, SS	SAME	200-0404	4
14	NUT, LOCK, 1/4-20 UNC, DISTORDED THREAD, SS	SAME	200-0414	14
15	SCREW, MACH, 4-40 X 5/16", PH, PAN, SS	SAME	200-0433	2
16	NUT, KEPS, #4-40 UNF, 304SS	SAME	200-0434	2
17	SCREW 1/4-20 x 3/16 x1 SHOULDER x 15/16 THRD - T-HEAD LOW PRFL 3/16 HEX	SAME	200-0483	2
18	NUT 1/4-28 FLANGE LOCK - DIST THREAD	SAME	200-0485	1
19	NUT LOCK 14-20 x 5/8 L x 0.318 SHOULDER - 1/2 HEX DEFORMED THREAD	SAME	200-0512	2
20	REED SWITCH MAGNET	SAME	210-0737	1
21	HOT SURFACE IGNITER	SAME	210-0759	1
22	SCREW 10-32 x 1/4 - SS- PHILIPS	SAME	220-0118	1
23	ORIFICE	SEE NOTE	SEE NOTE	1
24	ELBOW, 3/8-27 UNS X M6-.75 INT. X 5/16 COMP., BRASS	SAME	220-0474	1
25	ROTISSERIE BURNER	290-0522	290-0521	1
26	SPRING - 5/8" Ø X 2" L	SAME	290-0640	2
27	ROTISSERIE INLET COLLAR ASSEMBLY	SAME	290-0738	1
28	SPRING - 5/8" Ø X 4" L	SAME	290-0894	2
29	COMPRESSION SPRING	SAME	290-0895	2

BILL OF MATERIALS

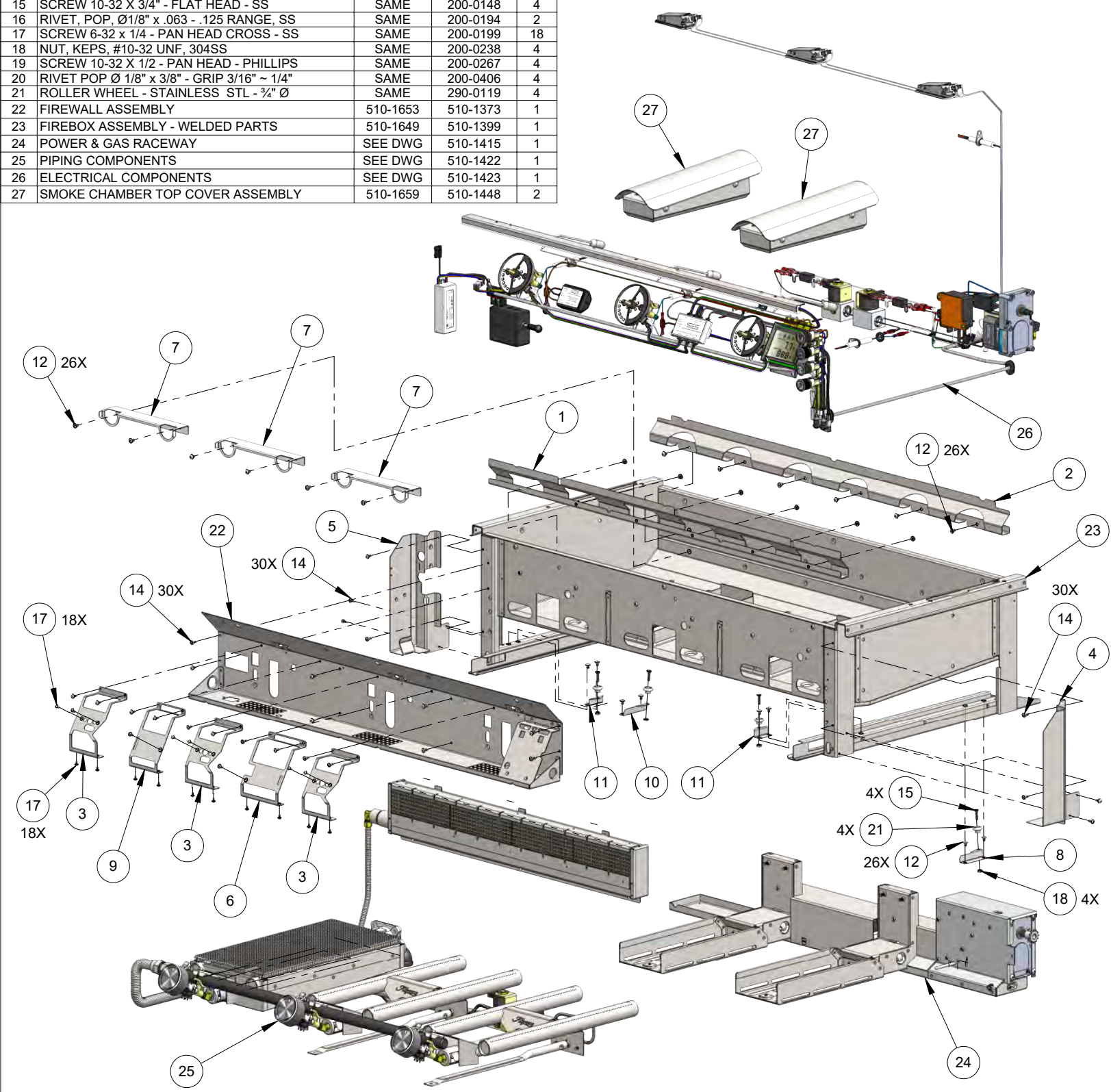
NO.	DESCRIPTION	36" PART #	42" PART #	QTY
30	BACK HOOD WELDED PARTS	510-1643	510-1367	1
31	AIPG REAR HOOD - RIGHT HINGE ASSEMBLY	SAME	510-1394	1
32	AIPG REAR HOOD - LEFT HINGE ASSEMBLY	SAME	510-1395	1
33	AIPG FRONT HOOD - RT FULCRUM PLATE ASSEMBLY	SAME	510-1397	1
34	AIPG FRONT HOOD - LT FULCRUM PLATE ASSEMBLY	SAME	510-1398	1
35	AIPG RIGHT HOOD FULCRUM ASSEMBLY	SAME	510-1400	1
36	AIPG HOOD SPRING SHORT PRESSURE LEVER	SAME	510-1405	2
37	AIPG HOOD SPRING - LONG PRESSURE LEVER	SAME	510-1406	2
38	AIPG LEFT HOOD FULCRUM ASSEMBLY	SAME	510-1407	1
39	AIPG SPIT ROD COUPLER ASSEMBLY	SAME	510-1416	1
40	BACK HOOD INSIDE BACK WALL	510-1647	510-1452	1
41	ROTISSERIE GLASS PANEL ASSEMBLY	SEE DWG	510-1510	1

NOTE: ORIFICE SHOWN FOR LOCATION ONLY.
REFER TO DRAWING 510-1422 FOR MORE INFORMATION

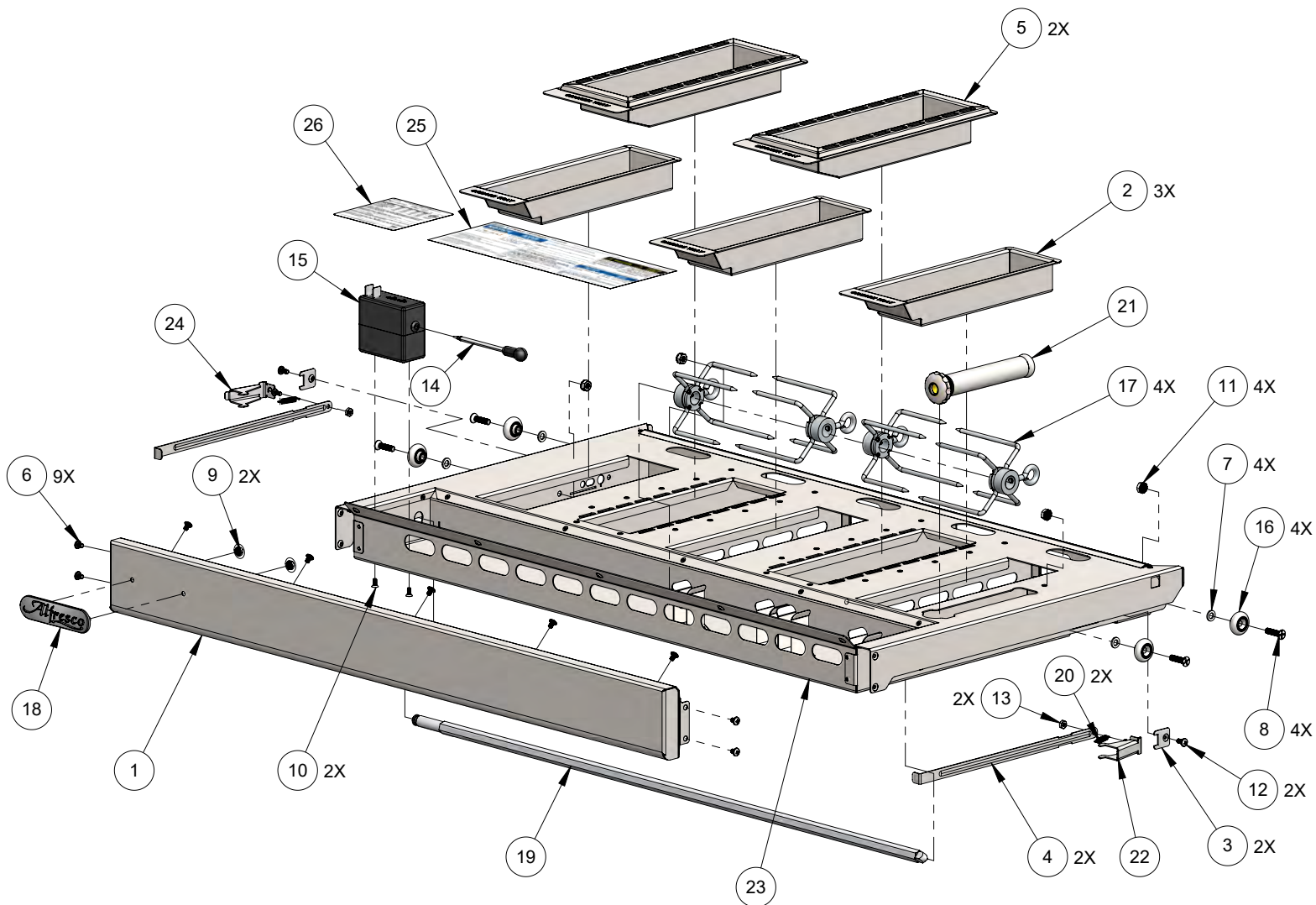


BILL OF MATERIAL

NO.	DESCRIPTION	36" PART #	42" PART #	QTY
1	GLASS SUPPORT FRONT CHANNEL	100-3889	100-3297	1
2	GLASS SUPPORT REAR CHANNEL	100-3890	100-3298	1
3	KNOB LIGHT BRACKET	SAME	100-3311	3
4	FIREWALL CLOSE-OFF RIGHT	SAME	100-3317	1
5	FIREWALL CLOSE-OFF LEFT	SAME	100-3318	1
6	LED CONTROLLER BRACKET	SAME	100-3477	1
7	BURNER BACK SUPPORT	SAME	100-3641	3
8	DRAWER SPRING LATCH - RIGHT SIDE	SAME	100-3645	1
9	WIRELESS PROBE CONTROLLER BRACKET	SAME	100-3646	1
10	DRAWER LOCK WHEEL SPRING PLATE - LEFT	SAME	100-3667	1
11	DRAWER GUIDE WHEEL PLATE	SAME	100-3668	2
12	10-32 X 1/4 - PAN HEAD - PHILIPS SCREW	SAME	200-0082	26
13	8-32 X 1/4 - PAN HEAD - PHILIPS SCREW	SAME	200-0083	4
14	SCREW, SMS, 8-18 X 1/2", PH, PAN, TEK, 410 SS	SAME	200-0111	30
15	SCREW 10-32 X 3/4" - FLAT HEAD - SS	SAME	200-0148	4
16	RIVET, POP, Ø1/8" x .063 - .125 RANGE, SS	SAME	200-0194	2
17	SCREW 6-32 x 1/4 - PAN HEAD CROSS - SS	SAME	200-0199	18
18	NUT, KEPS, #10-32 UNF, 304SS	SAME	200-0238	4
19	SCREW 10-32 X 1/2 - PAN HEAD - PHILLIPS	SAME	200-0267	4
20	RIVET POP Ø 1/8" x 3/8" - GRIP 3/16" ~ 1/4"	SAME	200-0406	4
21	ROLLER WHEEL - STAINLESS STL - 3/4" Ø	SAME	290-0119	4
22	FIREWALL ASSEMBLY	510-1653	510-1373	1
23	FIREBOX ASSEMBLY - WELDED PARTS	510-1649	510-1399	1
24	POWER & GAS RACEWAY	SEE DWG	510-1415	1
25	PIPING COMPONENTS	SEE DWG	510-1422	1
26	ELECTRICAL COMPONENTS	SEE DWG	510-1423	1
27	SMOKE CHAMBER TOP COVER ASSEMBLY	510-1659	510-1448	2



BILL OF MATERIAL				
NO.	DESCRIPTION	36" PART #	42" PART #	QTY
1	DRAWER FRONT COVER	100-3909	100-3303	1
2	GREASE BOX	SAME	100-3305	3
3	LATCH LOCK	SAME	100-3631	2
4	PUSH ROD, DRAWER LATCH	SAME	100-3632	2
5	SMOKER BOX - VENTED	SAME	100-3635	2
6	SCREW, MACH, 10-32 x 1/4", PH, PAN, SS	SAME	200-0082	9
7	WASHER - FLAT - 1/4" - NARROW - TYPE B	SAME	200-0088	4
8	SCREW 1/4-20 X 1 - CS82° - SS - PHILIPS	SAME	200-0107	4
9	NUT, KEPS, #10-32 UNF, 304SS	SAME	200-0238	2
10	SCREW, MACH, 8-32 X 3/8", PH, FLT, UNDERCUT, SS	SAME	200-0349	2
11	NUT, KEPS, 1/4-20 UNC, SS	SAME	200-0350	4
12	SCREW, MACH, 10-32 x 3/8", PH, PAN, SS	SAME	200-0469	2
13	NUT 8-32 LOCK - DIST. THREAD	SAME	200-0481	2
14	WIRELESS TEMPERATURE PROBE	SAME	210-0870	1
15	WIRELESS PROBE CHARGER	SAME	210-0872	1
16	ROLLER WHEEL, Ø1 SS	SAME	290-0077	4
17	ROTISSERIE FORK	SAME	290-0096	4
18	ALFRESCO RANGE LOGO	SAME	290-0489	1
19	ROTISSERIE SPEAR (SPIT ROD)	290-0552	290-0553	1
20	SPRING 1/4 Ø x 3/4 L x 71 GA WIRE	SAME	290-0772	2
21	AIPG - ROTISSERIE SPEAR HILT	SAME	510-1419	1
22	AIPG DRAWER LATCH - RIGHT SIDE	SAME	510-1513	1
23	DRAWER BODY SUBASSEMBLY	510-1671	510-1515	1
24	AIPG DRAWER LATCH - LEFT SIDE	SAME	510-1528	1
25	GRILLS - ANSI Z21.58 LABEL	SAME	800-0090	1
26	AIPG GRILL - ETL SERIAL LABEL	SAME	AIPG-ETL	1

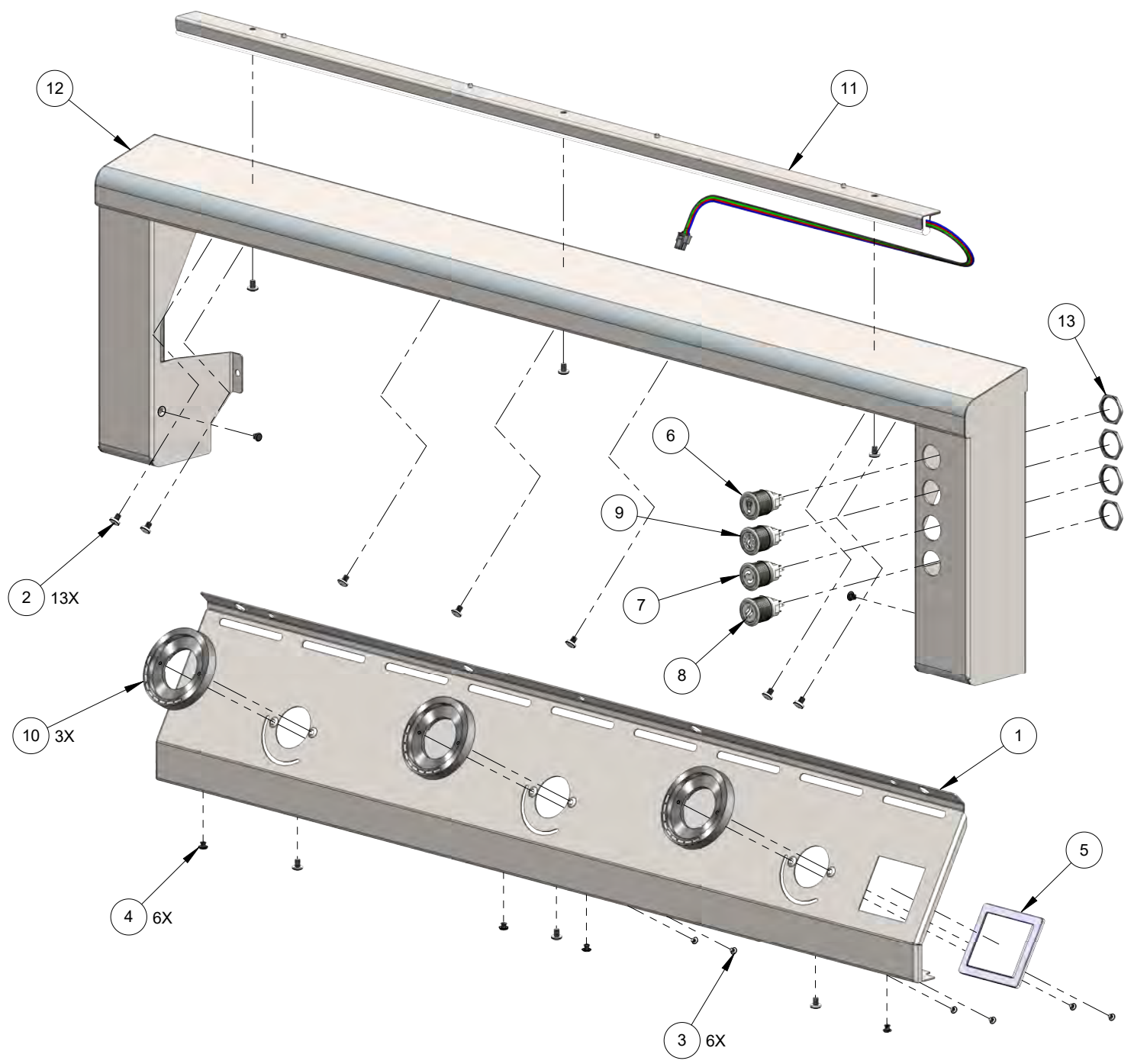


NOTE: ITEMS (17) 4X, (19) AND (21) SHOWN FOR
 RELATIVE ASSEMBLY LOCATION REFER TO DRAWING
 510-1418 FOR ADDITIONAL INFORMATION.

BILL OF MATERIAL

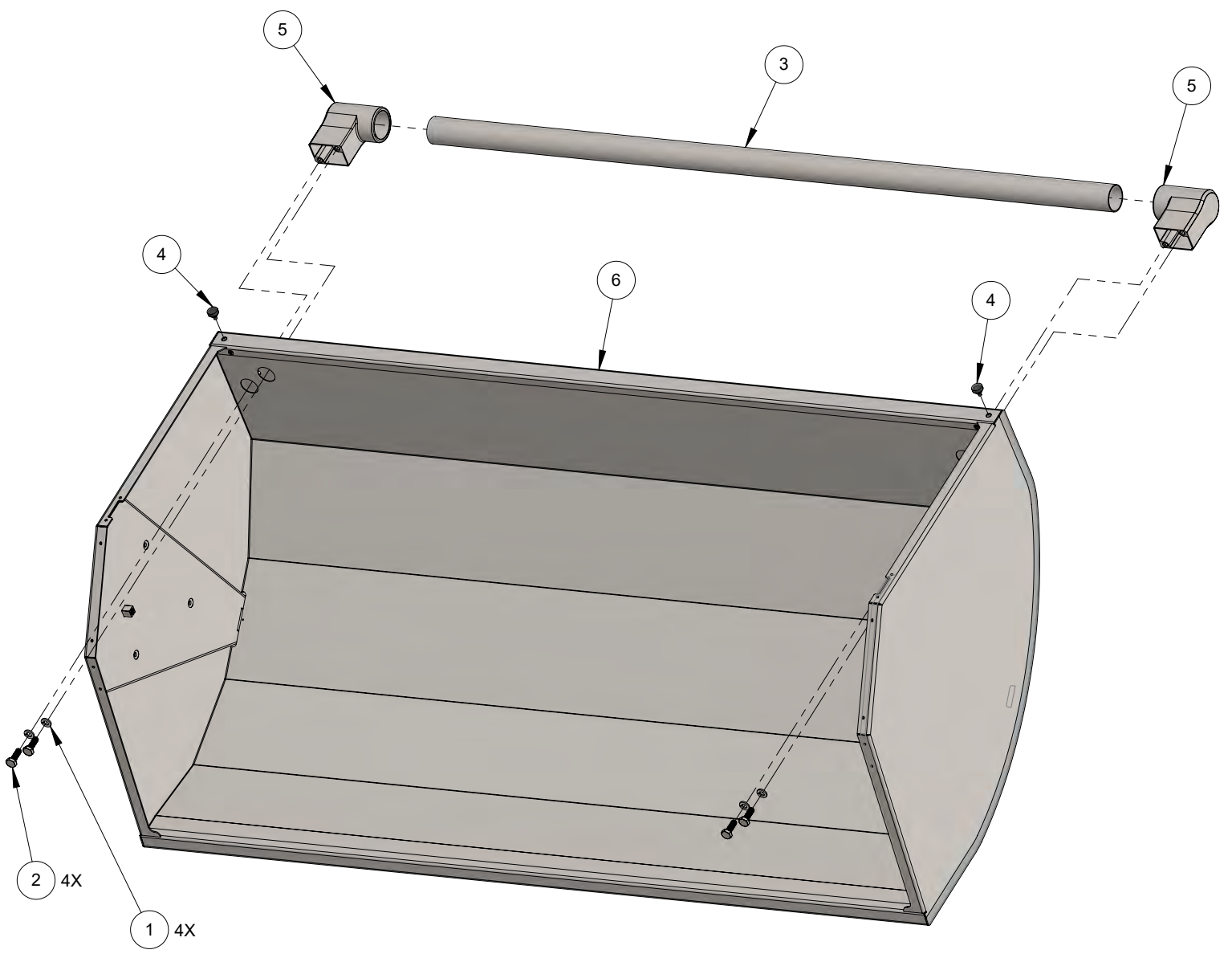
NO.	DESCRIPTION	36" PART #	42" PART #	QTY
1	FRONT PANEL - CONTROL PANEL	100-3897	100-3316	1
2	10-32 X 1/4 - PAN HEAD - PHILIPS SCREW	SAME	200-0082	13
3	SCREW 6-32 x 3/16"L -FLAT HEAD - 82° - PHILLIPS	SAME	200-0402	6
4	SNAP RIVET, Ø .161" MOUNT HOLE, NYLON 6, BLACK	SAME	200-0445	6
5	GLASS - TEMPERED - WITH ADHESIVE	SAME	210-0701	1
6	SWITCH - LIGHT - ON/OFF	SAME	210-0711	1
7	SWITCH - ROTISSERIE MOTOR - ON/OFF	SAME	210-0713	1
8	SWITCH - SMOKER - ON/OFF	SAME <td 210-0714	1	
9	SWITCH - ROTISSERIE BURNER - ON/OFF	SAME	210-0720	1
10	KNOB BEZEL ASSEMBLY	SAME	290-0527	3
11	FRONT PANEL LIGHT ASSEMBLY	510-1657	510-1374	1
12	FRONT PANEL BULLNOSE - WELDED PARTS	510-1655	510-1421	1
13	SWITCH NUT (PROVIDED WITH SWITCH)	SEE NOTE	SEE NOTE	4

NOTE: SWITCH NUTS PROVIDE WITH SWITCH
NOT SOLD INDIVIDUALLY



BILL OF MATERIAL

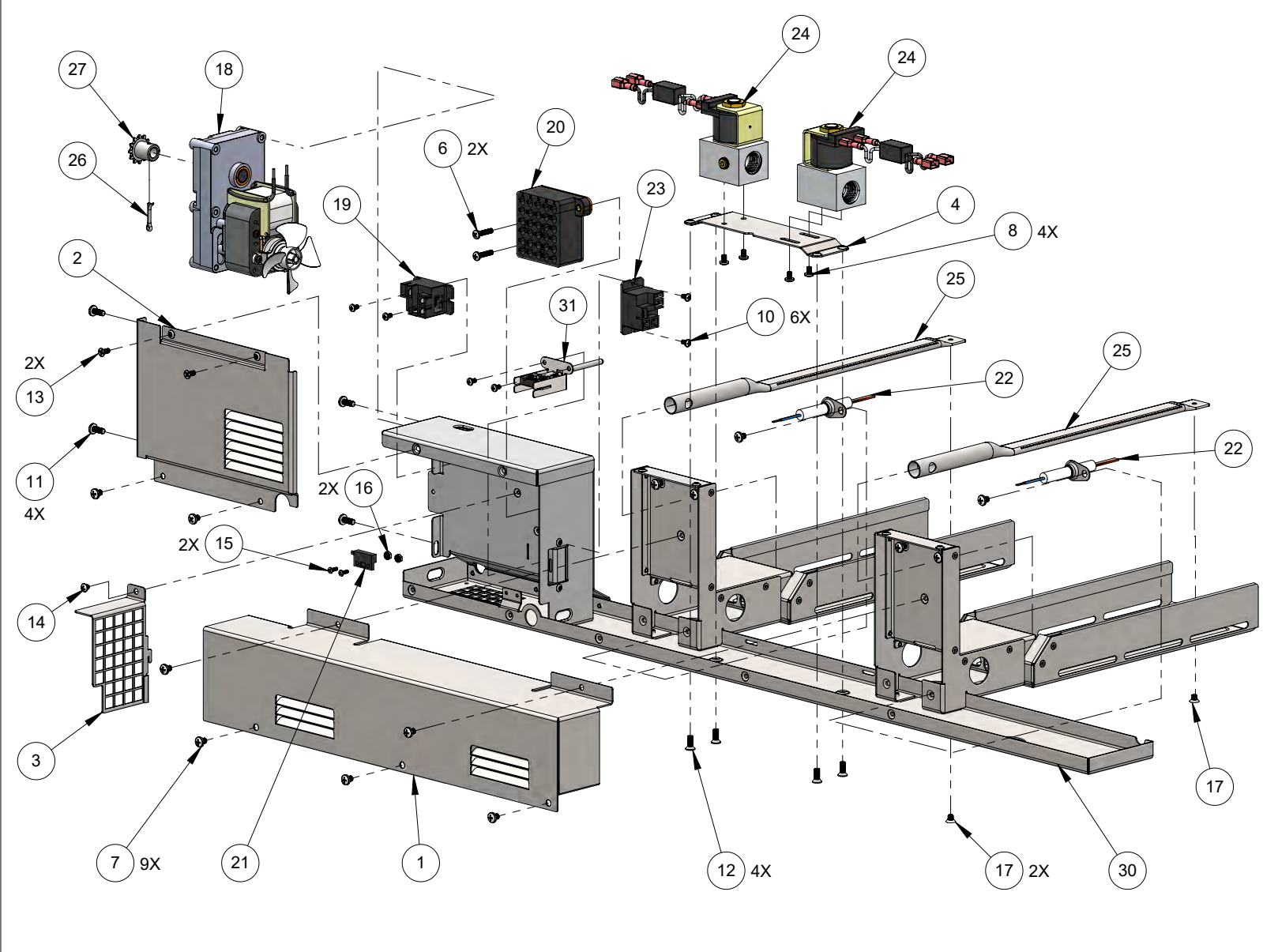
NO.	DESCRIPTION	36" PART #	42" PART #	QTY
1	WASHER, 1/4" - SPRING LOCK - SS	SAME	200-0087	4
2	BOLT 1/4-20 UNC x 3/4 - HEX HEAD - SS	SAME	200-0242	4
3	BARBECUE HOOD HANDLE	290-0440	290-0417	1
4	BUMPER 600°F 1/2" DIA x 5/32" HEAD	SAME	290-0465	2
5	HANDLE SS HANDLE END CAP - LARGE	SAME	290-0475	2
6	FRONT HOOD - WELDED PARTS	510-1641	510-1392	1



BILL OF MATERIAL

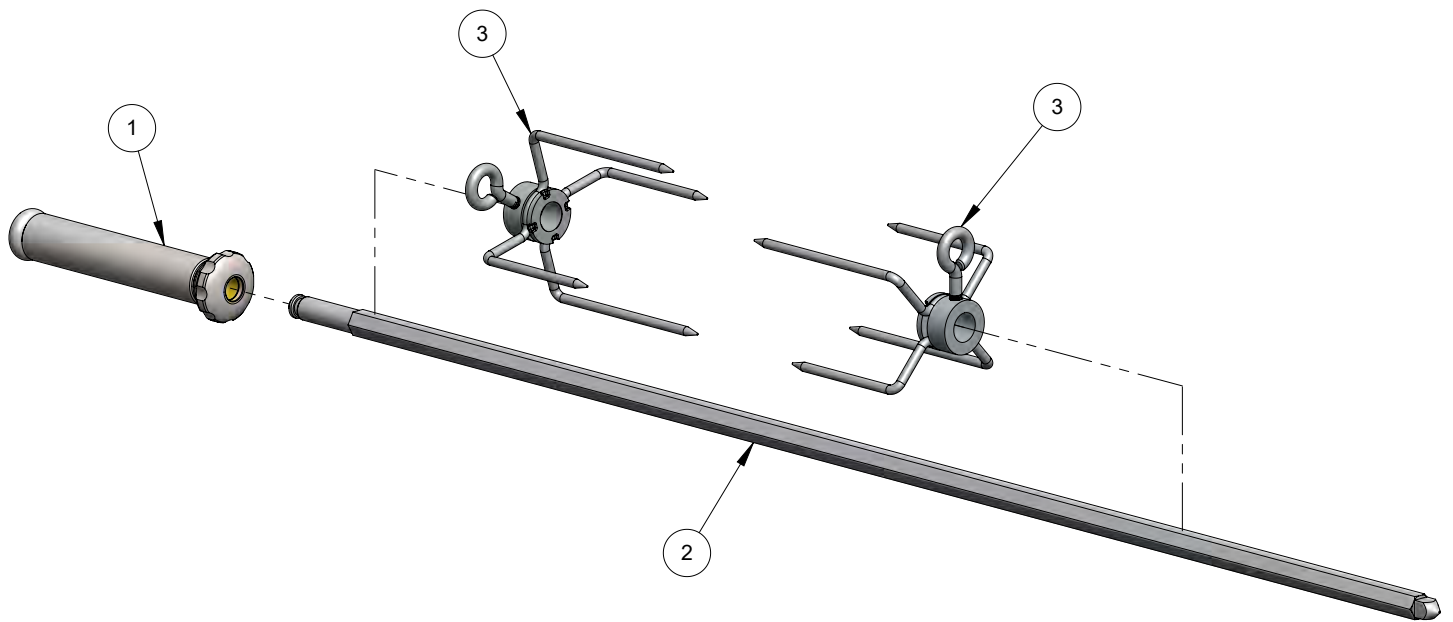
NO.	DESCRIPTION	36" PART #	42" PART #	QTY
1	SOLENOID BOX	100-3893	100-3322	1
2	MOTOR BRACKET - B	SAME	100-3364	1
3	FAN WIRE GUARD	SAME	100-3669	1
4	SOLENOID SUPPORT PLATE	SAME	100-3671	1
5	SCREW 10-32 X 3/4 - PAN HEAD - PHILLIPS	SAME	200-0062	4
6	8-32 X 3/4 - PAN HEAD - PHILIPS SCREW	SAME	200-0079	2
7	10-32 X 1/4 - PAN HEAD - PHILIPS SCREW	SAME	200-0082	9
8	8-32 X 1/4 - PAN HEAD - PHILIPS SCREW	SAME	200-0083	4
9	RIVET, POP, Ø1/8" x .063 - .125 RANGE, SS	SAME	200-0194	6
10	SCREW 6-32 x 1/4 - PAN HEAD CROSS - SS	SAME	200-0199	6
11	SCREW 10-32 X 1/2 - PAN HEAD - PHILLIPS	SAME	200-0267	4
12	SCREW 10-32 x 1/2" - FLAT HEAD 82° - PHILIPS - SS	SAME	200-0326	4
13	SCREW, MACH, 8-32 X 3/8", PH, FLT, UNDERCUT, SS	SAME	200-0349	2
14	SCREW 8-32 x 3/16" - PAN HEAD PHILIPS	SAME	200-0383	1
15	SCREW, MACH, 4-40 x 5/16", PH, PAN, SS	SAME	200-0433	2
16	NUT, KEPS, #4-40 UNF, 304SS	SAME	200-0434	2
17	SCREW 10-32 x 1/4 - FLAT HEAD UNDERCUT	SAME	200-0482	2
18	MOTOR - ROTISSERIE BBQ	SAME	210-0589	1
19	RELAY - SPST-NO - 240 VAC/30A - 12 VDC COIL	SAME	210-0723	1
20	INSULATED TERMINAL BLOCK EE30-140	SAME	210-0732	1
21	NC-SWITCH (WITH MAGNET)	SAME	210-0736	1
22	HOT SURFACE IGNITER	SAME	210-0759	2
23	RELAY - SPST-NO - 240 VAC/30A - 120 VAC COIL	SAME	210-0761	1
24	GAS SOLENOID	SAME	220-0577	2
25	BURNER - SMOKER - AIPG BBQ	SAME	290-0525	2
26	COTTER PIN - 1/8" Ø X 3/4" L - SS	SAME	290-0536	1
27	SPROCKET - MOTOR	SAME	290-0549	1
28	AIPG SMOKER BURNER PRE-ASSEMBLY	SAME	510-1371	1
29	AIPG SMOKER BURNER PRE-ASSEMBLY	SAME	510-1371	1
30	AIPG-42 POWER & GAS CHANNEL ASSEMBLY	510-1651	510-1420	1
31	AIPG REED MAGNET ASSEMBLY	SAME	510-1516	1

NOTE: ELECTRICAL AND PIPING COMPONENTS SHOWN AS ASSEMBLY REFERENCE. ITEMS ARE ALSO SHOWN IN PIPING AND WIRING DIAGRAMS.



BILL OF MATERIAL

NO.	DESCRIPTION	36" PART #	42" PART #	QTY
1	AIPG - ROTISSERIE SPEAR HILT	SAME	510-1419	1
2	ROTISSERIE SPEAR (SPIT ROD)	290-0552	290-0553	1
3	ROTISSERIE FORK	SAME	290-0096	2



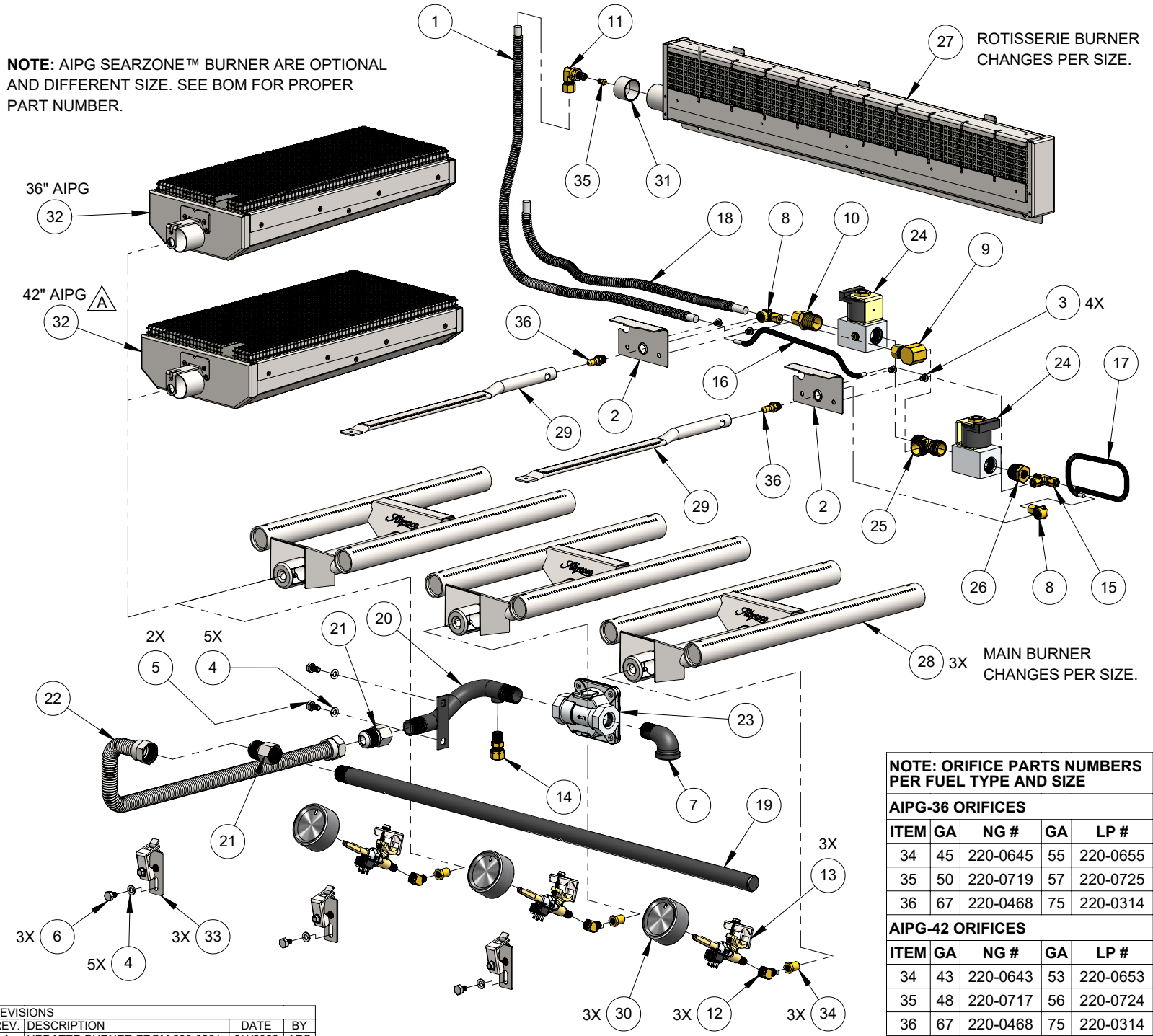
NOTE:

- AIPG-36 HAS ONE SET OF TWO FORKS.
- AIPG-42 HAS TWO SETS OF TWO FORKS

BILL OF MATERIAL				
NO.	DESCRIPTION	36" PART	42" PART	QTY
1	ROTISSERIE GAS LINE - 3/8" Ø X 24" L	SAME	100-0941	1
2	SMOKER BURNER HOUSING COVER	SAME	100-3308	2
3	10-32 X 1/4 - PAN HEAD - PHILIPS SCREW	SAME	200-0082	4
4	WASHER, 1/4" - SPRING LOCK - SS	SAME	200-0087	5
5	BOLT - HEX HEAD 1/4-20 x 1/2" L	SAME	200-0089	2
6	HEX HD MACHINE SCREW 1/4-20 UNC X 3/8" - SS	SAME	200-0220	3
7	ELBOW, STREET, 1/2" NPT X 1/2" NPT-F, IRON	SAME	200-0274	1
8	ELBOW, 1/8"-27 NPT-Female X 3/16" COMP.	SAME	220-0273	2
9	ELBOW 1/2" NPT F x 3/8 COMP.	SAME	220-0304	1
10	COUPLING, 1/2" NPT x 3/8" COMP., BRASS	SAME	220-0427	1
11	ELBOW, 3/8-27 UNS X M6-.75 INT. X 5/16 COMP.	SAME	220-0474	1
12	ELBOW 30° - 3/8-27 UNS MALE X FEMALE	SAME	220-0497	3
13	GAS VALVE ASSEMBLY	SAME	220-0498	3
14	NIPPLE, 1/4" NPT-F x 3/8" COMP., BRASS	SAME	220-0503	1
15	TEE, 3/16 COMP. X 3/16 COMP. X 1/8-27 NPT	SAME	220-0505	1
16	LEFT SMOKER GAS LINE - 3/16" Ø X 12" L	SAME	220-0507	1
17	RIGHT SMOKER GAS LINE - 3/16" Ø X 12" L	SAME	220-0507	1
18	REG TO SOL GAS LINE - 3/8" Ø X 15" L	SAME	220-0508	1

BILL OF MATERIAL				
NO.	DESCRIPTION	36" PART	42" PART	QTY
19	FRONT MANIFOLD	220-0527	220-0512	1
20	AIPG BBQ - REGULATOR MANIFOLD	SAME	220-0513	1
21	NIPPLE - 5/8" Ø X 1/2" FIP	SAME	220-0534	2
22	FITTING - FLEX GAS LINE 5/8 ODF	SAME	220-0539	1
23	REGULATOR GAS - LOW TEMP - 4/10" W.C. CONV.	SAME	220-0555	1
24	GAS SOLENOID	SAME	220-0577	2
25	TEE 1/2 NPT - SHORT LENGTH	SAME	220-0596	1
26	MIPPLE- REDUCER 1/2" NPT M x 1/8"NPT F	SAME	220-0597	1
27	ROTISSERIE BURNER	290-0522	290-0521	1
28	MAIN BURNER (H-BURNER)	290-0858	290-0523	3
29	BURNER - SMOKER - AIPG BBQ	SAME	290-0525	2
30	KNOB ASSEMBLY	SAME	290-0526	3
31	ROTISSERIE INLET COLLAR ASSEMBLY	SAME	290-0738	1
32	AIPG-42 SEARZONE BURNER	290-0814	290-0925	1
33	AIPG MANIFOLD SUPPORT BRACKET	SAME	510-1425	3
34	ORIFICE - MAIN BURNER	SEE NOTE	SEE NOTE	3
35	ORIFICE - ROTISSERIE	SEE NOTE	SEE NOTE	1
36	ORIFICE - SMOKER UNIT	SEE NOTE	SEE NOTE	2

NOTE: AIPG SEARZONE™ BURNER ARE OPTIONAL AND DIFFERENT SIZE. SEE BOM FOR PROPER PART NUMBER.



NOTE: ORIFICE PARTS NUMBERS PER FUEL TYPE AND SIZE

AIPG-36 ORIFICES				
ITEM	GA	NG #	GA	LP #
34	45	220-0645	55	220-0655
35	50	220-0719	57	220-0725
36	67	220-0468	75	220-0314

AIPG-42 ORIFICES				
ITEM	GA	NG #	GA	LP #
34	43	220-0643	53	220-0653
35	48	220-0717	56	220-0724
36	67	220-0468	75	220-0314

REV.	DESCRIPTION	DATE	BY
A	UPDATED BURNER FROM 290-0801	3/4/2026	AEC



THE INFORMATION CONTAINED IN THIS DRAWING IS THE SOLE PROPERTY OF SUPERIOR EQUIPMENT SOLUTIONS INC. ANY REPRODUCTION IN PART OR AS A WHOLE WITHOUT WRITTEN PERMISSION FROM SUPERIOR EQUIPMENT SOLUTIONS, INC. IS PROHIBITED.

DRAWN BY: ADRIAN CRISCI
LAST SAVED: 3/4/2026 8:45:20 AM

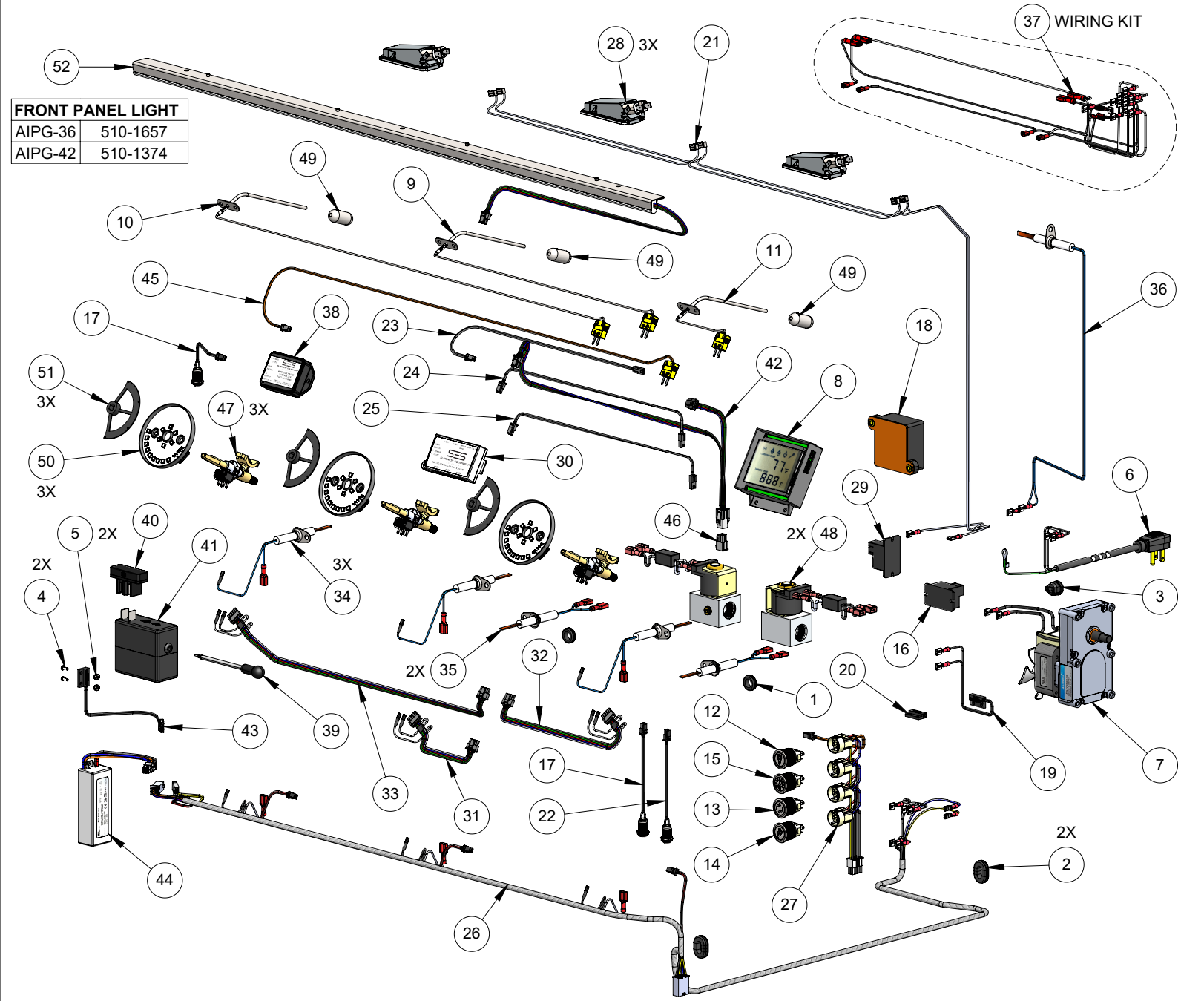
PROJECT TITLE:
AIPG BBQ.

DRAWING TITLE:
PIPING COMPONENTS

DRAWING NO.: 510-1422
SHEET 1 OF 1

BILL OF MATERIAL			
NO.	DESCRIPTION	PART #	QTY
1	GROMMET 9/16" OD, 1/16" MAT'L, 7/16" ID	200-0004	2
2	GROMMET 1/2" Ø - USED IN OBOUND SLOT	200-0005	2
3	STRAIN RELIEF, Ø.625 MOUNT HOLE X .062 THK., NYLON 6/6	200-0009	1
4	SCREW, MACH, 4-40 x 5/16", PH, PAN, SS	200-0433	2
5	NUT, KEPS, #4-40 UNF, 304SS	200-0434	2
6	CABLE 115/120V 10A 18/3 SJTOW - 96"- 90° PLUG NEMA 5-15	210-0475	1
7	MOTOR - ROTISSERIE BBQ	210-0589	1
8	THERMOMETER + CASE ASSEMBLY	210-0700	1
9	THERMOCOUPLE SENSOR	210-0703	1
10	THERMOCOUPLE SENSOR	210-0703	1
11	THERMOCOUPLE SENSOR	210-0703	1
12	SWITCH - LIGHT - ON/OFF	210-0711	1
13	SWITCH - ROTISSERIE MOTOR - ON/OFF	210-0713	1
14	SWITCH - SMOKER - ON/OFF	210-0714	1
15	SWITCH - ROTISSERIE BURNER - ON/OFF	210-0720	1
16	RELAY - SPST-NO - 240 VAC/30A - 12 VDC COIL	210-0723	1
17	BRIGHTNESS / ON / OFF TOGGLE SWITCH	210-0726	2
18	INSULATED TERMINAL BLOCK EE30-140	210-0732	1
19	NC REED SWITCH	210-0736	1
20	REED SWITCH MAGNET	210-0737	1
21	AIPG - LIGHT HARNESS	210-0752	1
22	COLOR CHANGING TOGGLE SWITCH	210-0753	1
23	AIPG SWITCH EXTENSION HARNESS	210-0755	1
24	AIPG SWITCH EXTENSION HARNESS	210-0755	1
25	AIPG SWITCH EXTENSION HARNESS	210-0755	1
26	MAIN FRONT AND BACK HARNESS	210-0757	1
27	AIPG SWITCH HARNESS	210-0758	1

BILL OF MATERIAL			
NO.	DESCRIPTION	PART #	QTY
28	LAMP FIXTURE G9-B / 120 V - 25 W	210-0760	3
29	RELAY - SPST-NO - 240 VAC/30A - 120 VAC COIL	210-0761	1
30	RGB LED CONTROLLER	210-0781	1
31	KNOB LED HARNESS - 5W - 12"	210-0823	1
32	KNOB LED HARNESS - 5W - 12"	210-0823	1
33	KNOB LED HARNESS - 5W - 22"	210-0824	1
34	HOT SURFACE IGNITER FOR H-BURNER	210-0832	3
35	HOT SURFACE IGNITER FOR SMOKER	210-0833	2
36	HOT SURFACE IGNITER FOR ROTISSERIE	210-0834	1
37	AIPG REAR WIRING KIT	210-0853	1
38	WIRELESS CONTROLLER	210-0869	1
39	WIRELESS TEMPERATURE PROBE	210-0870	1
40	WIRELESS PROBE CHARGER RECEPTACLE	210-0871	1
41	WIRELESS PROBE CHARGER	210-0872	1
42	AIPG DISPLAY / CART EXTENSION HARNESS	210-0889	1
43	NO REED SWITCH	210-0899	1
44	LED DRIVER - 12 VDC - 36 W	210-0900	1
45	WIRELESS CONTROLLER HARNESS	210-0903	1
46	2X2 RECEPTACLE (USED AS CAP)	210-0947	1
47	GAS VALVE - AX00B0189	220-0498	3
48	GAS SOLENOID	220-0577	2
49	TC PROBE THERMAL MASS COMPENSATOR	290-0506	3
50	KNOB LED ASSEMBLY	290-0528	3
51	BEZEL - LIGHT GATE	290-0529	3
52	FRONT PANEL LIGHT ASSEMBLY	SEE DWG	1



BILL OF MATERIAL

NO.	DESCRIPTION	36" PART #	42" PART #	QTY
1	ROTISSERIE GLASS PANEL	100-3884	100-3272	1
2	ROTISSERIE GLASS BRACKET	100-3885	100-3273	1
3	ROTISSERIE GLASS PANEL - STIFFNER	100-3886	100-3379	1
4	10-32 X 1/4 - PAN HEAD - PHILIPS SCREW	SAME	200-0082	8
5	NUT, KEPS, #10-32 UNF, 304SS	SAME	200-0238	4
6	ROTISSERIE GLASS - BLACK 26-3/8" x 3-7/8"	290-0856	290-0518	1

