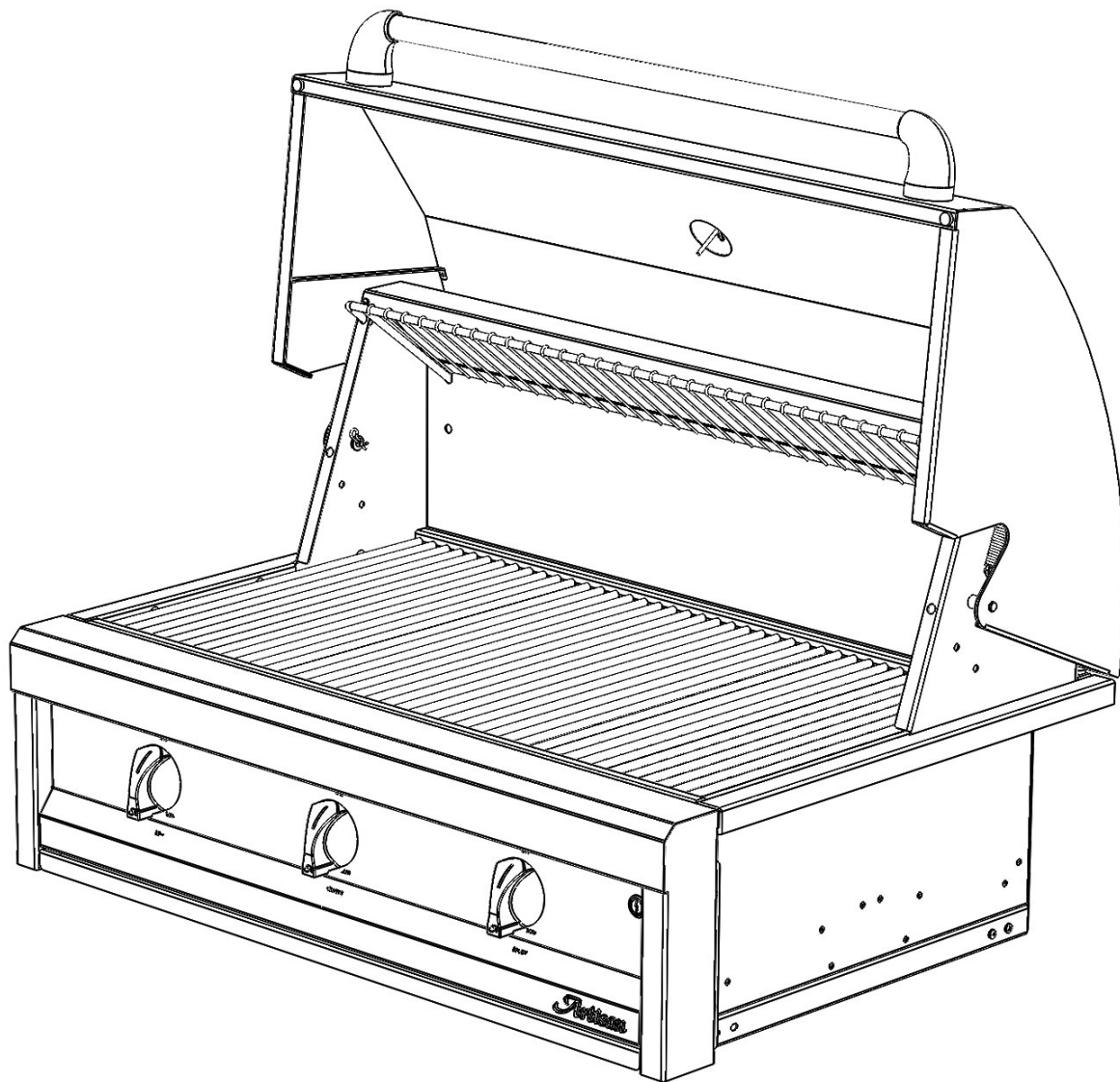
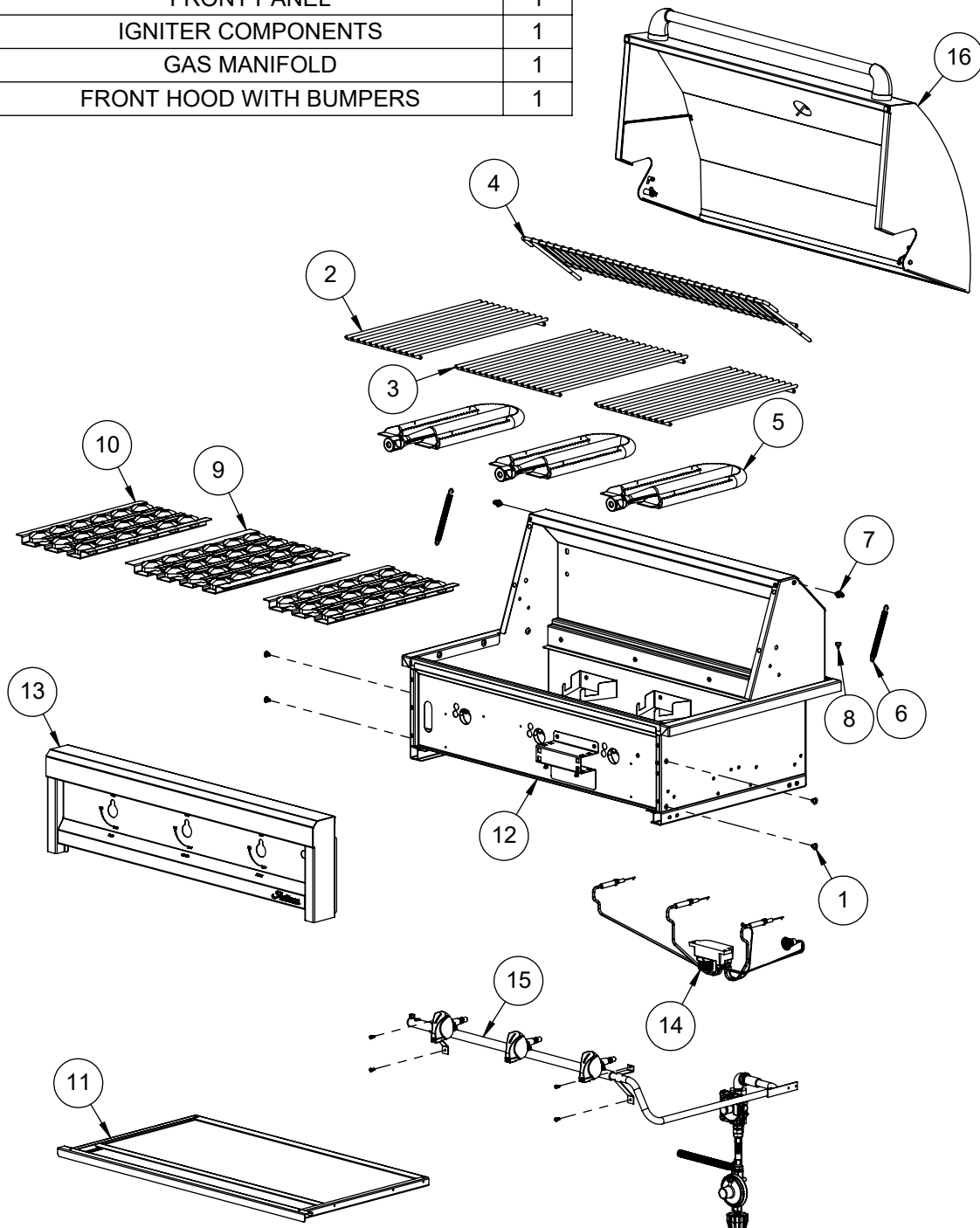


Artisan

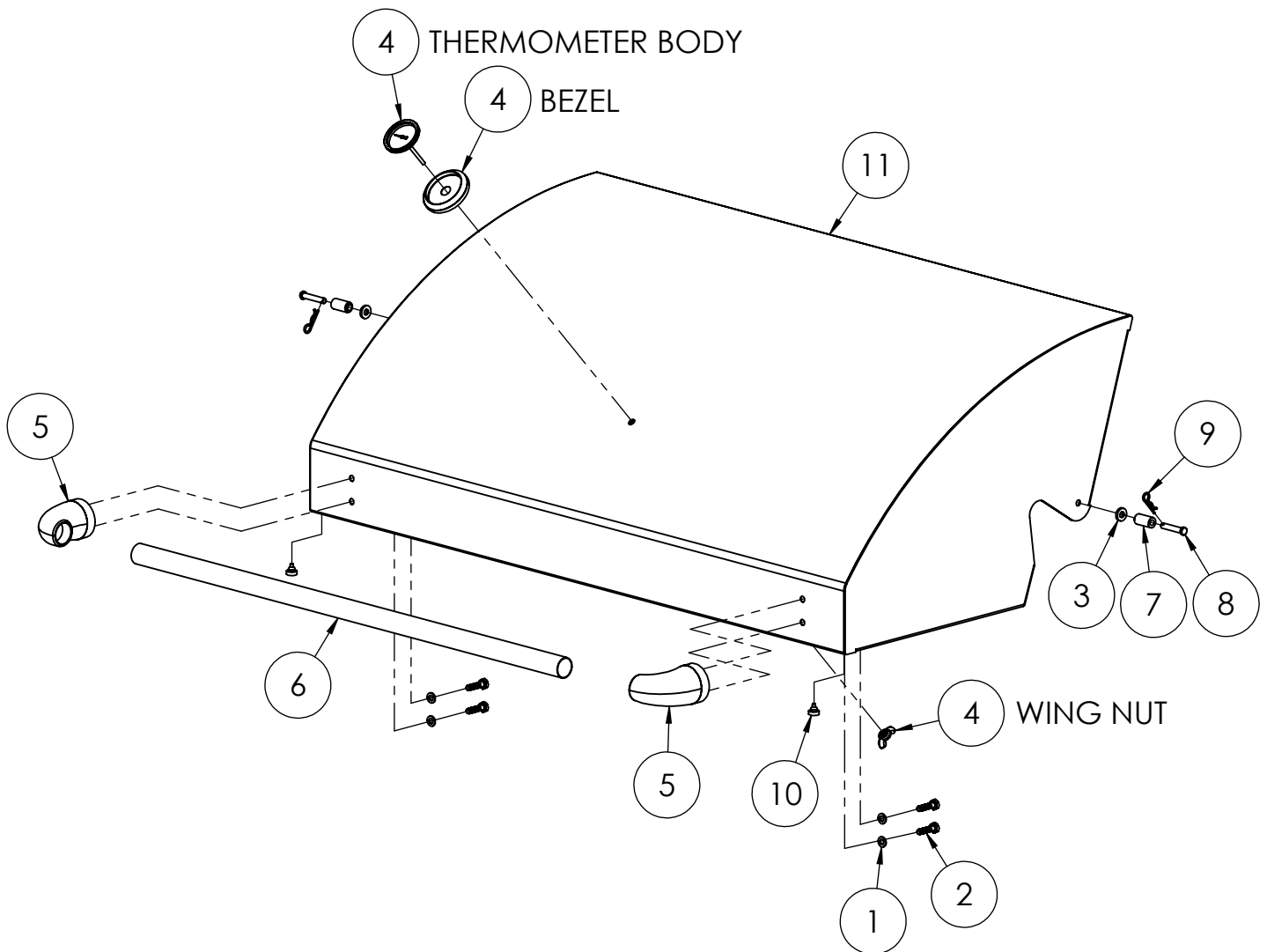


AAEP-36 Parts Manual
BUILT-IN 36" BBQ GRILL WITH THREE BURNERS
Serial # 18-00000 to 25-133999

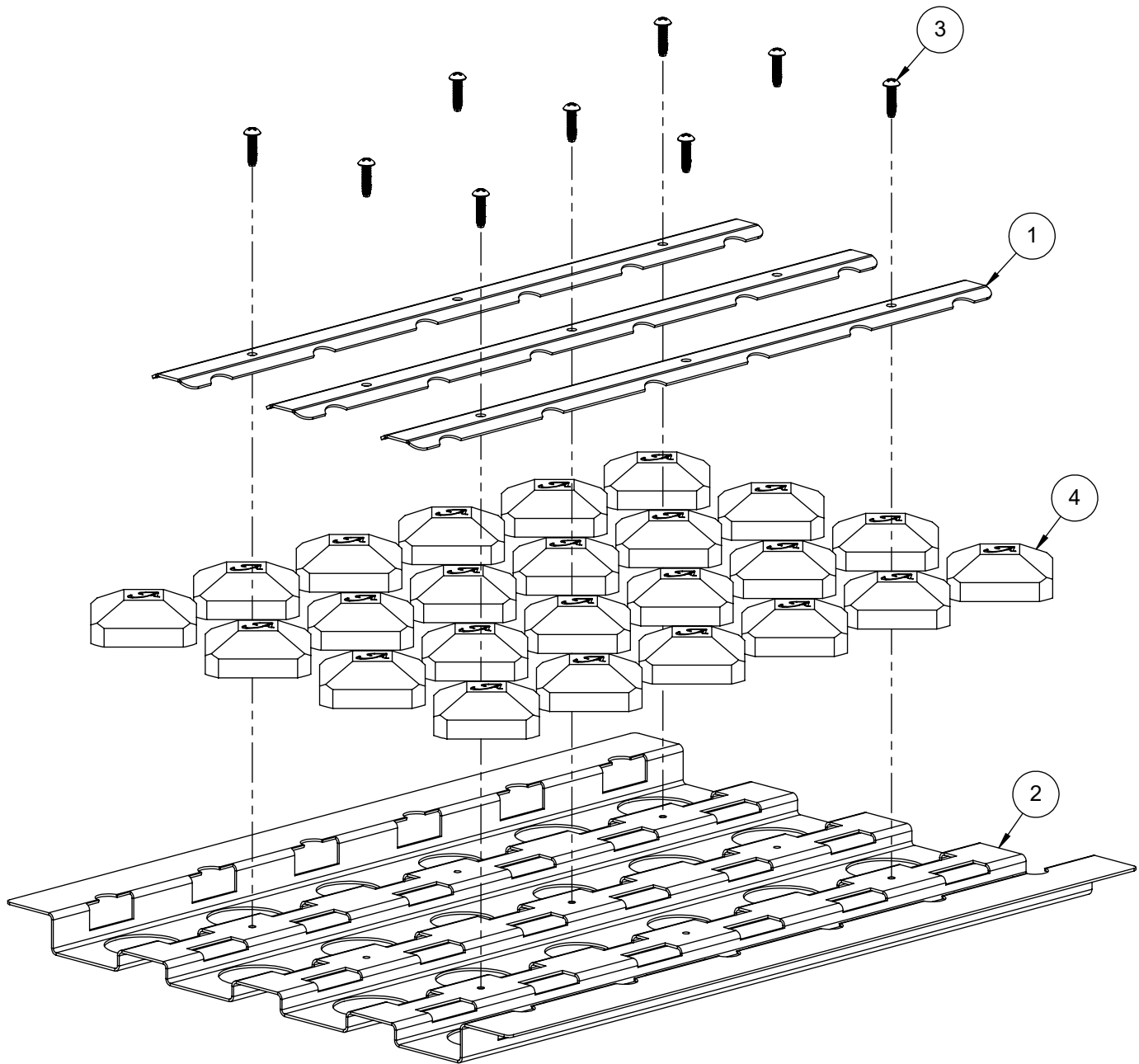
ITEM	PART NUMBER	DESCRIPTION	QTY
1	200-0086	1/4-20 X 3/8 - TRUSS HEAD - PHILIPS SCREW	4
2	290-0323	BBQ GRID - 9.8125" WIDE	2
3	290-0324	BBQ GRID - 13.8125" WIDE	1
4	290-0354	WARMING GRID	1
5	290-0355	U-BURNER	3
6	290-0443	SPRING TEMPERED- .513 OD x 4.875 L	2
7	290-0447	HOOD SPRING LATCH	2
8	290-0465	BUMPER 600°F 1/2" DIA x 5/32" HEAD	2
9	510-1024	BRIQUETTE TRAY ASSEMBLY - 13 1/2"	1
10	510-1025	BRIQUETTE TRAY ASSEMBLY - 9-3/4"	2
11	510-1040	GREASE TRAY ASSEMBLY	1
12	510-1065	BBQ MAIN BODY - SEE PARTS DWG.	1
13	510-1066	FRONT PANEL	1
14	510-1084	IGNITER COMPONENTS	1
15	510-1085	GAS MANIFOLD	1
16	510-1195	FRONT HOOD WITH BUMPERS	1



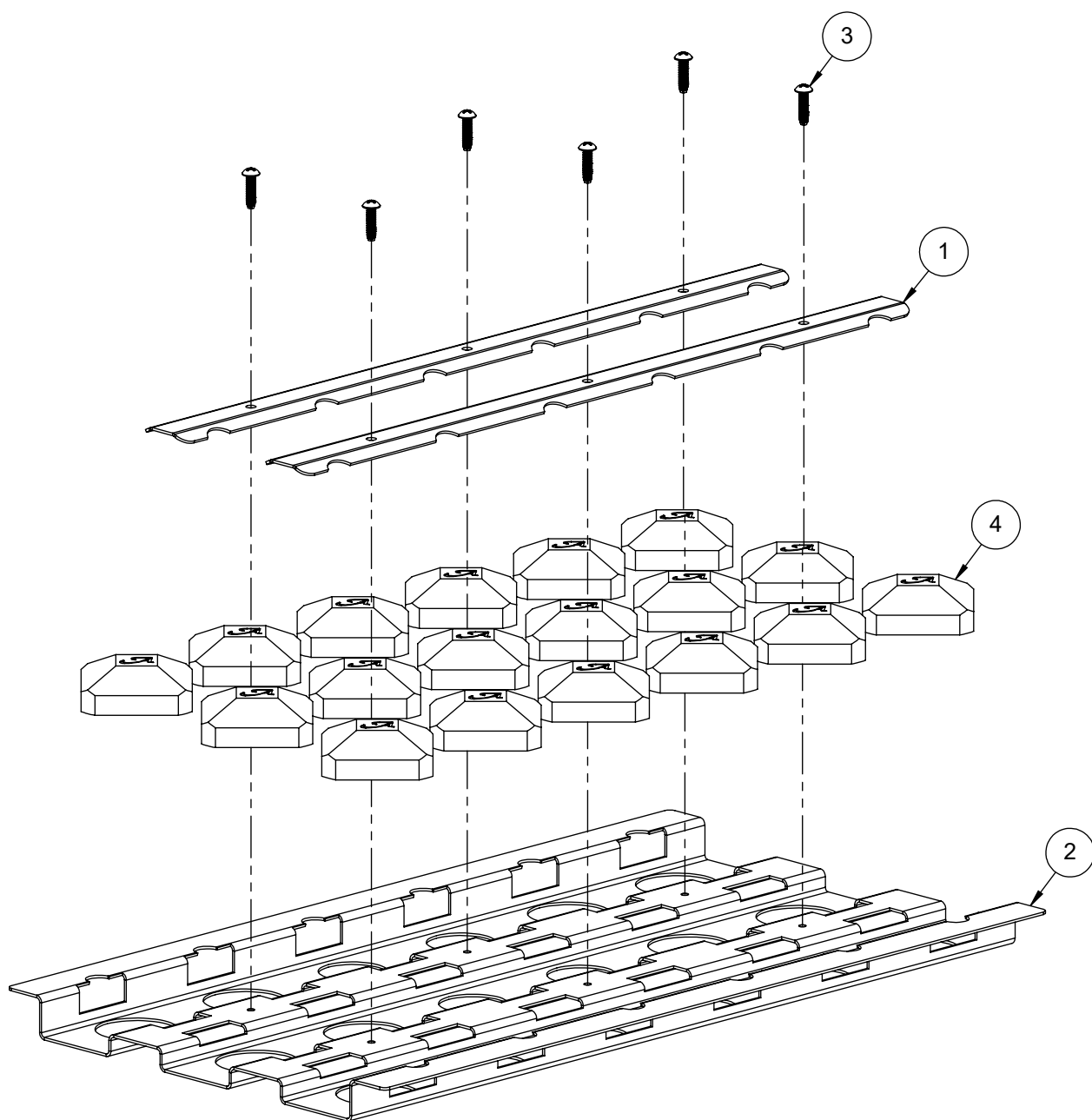
ITEM	PART NUMBER	DESCRIPTION	QTY
1	200-0087	WASHER - 1/4" SPRING LOCK- REGULAR - SS	4
2	200-0091	HH- HD - 1/4-20 x 1 x .75 THREAD	4
3	200-0092	1/4 X 1/8 X 5/8 FLAT WASHER - SPACER	2
4	210-0490	THERMOMETER ASSEMBLY	1
5	290-0063	HANDLE - END CAP ASSEMBLY	2
6	290-0328	36" BBQ - FRONT HOOD HANDLE BAR	1
7	290-0444	SPACER - 1/2" OD x 1/4" ID	2
8	290-0445	CLEVIS PIN - 1/4"Ø x 1-3/8	2
9	290-0448	COTTER PIN - HAIRPIN 1/4" ~ 3/8" Pin Ø x 1-1/4" L x 5/64" WIRE	2
10	290-0465	BUMPER 600°F 1/2" DIA x 5/32" HEAD	2
11	510-1196	FRONT HOOD - WELDED PARTS - W/BUMPER	1



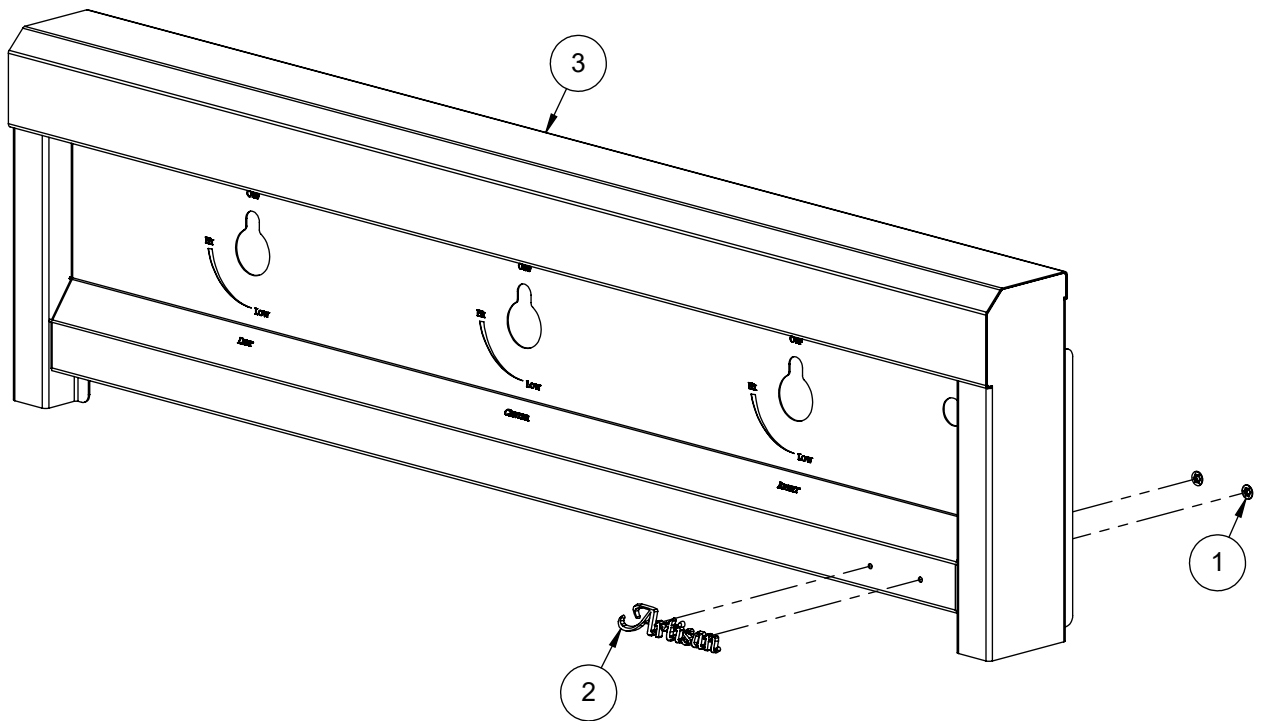
ITEM	PART NUMBER	DESCRIPTION	QTY
1	100-1895	BRIQUETTE LOCK BAR	3
2	100-2668	BRIQUETTE TRAY BASE - 13 1/2" WIDE	1
3	200-0314	SCREW 8-32 x 5/8", PAN HEAD, PHILLIPS THREAD CUTTER TYPE F	9
4	265-0005	CERAMIC BRIQUETTE W/ LOGO	24



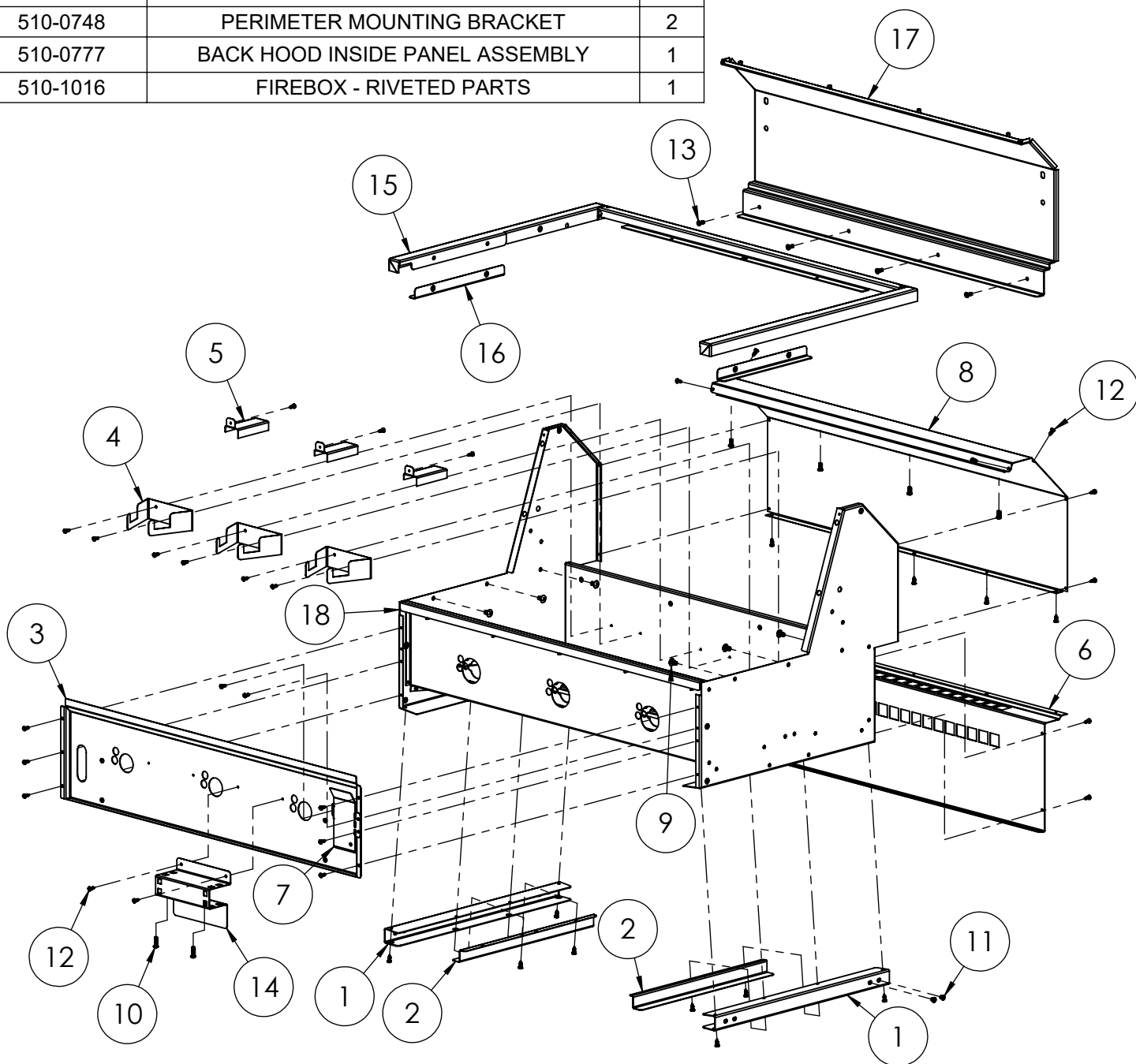
ITEM	PART NUMBER	DESCRIPTION	QTY
1	100-1895	BRIQUETTE LOCK BAR	2
2	100-2669	BRIQUETTE TRAY BASE - 9-5/8" WIDE	1
3	200-0314	SCREW 8-32 x 5/8", PAN HEAD, PHILLIPS THREAD CUTTER TYPE F	6
4	265-0005	CERAMIC BRIQUETTE W/ LOGO	18



ITEM	PART NUMBER	DESCRIPTION	QTY
1	200-0093	WASHER - PUSH LOCK 1/8" ID X 3/8" OD (LOGO)	2
2	290-0356	ARTISAN LOGO	1
3	510-1067	FRONT PANEL - WELDED PARTS	1



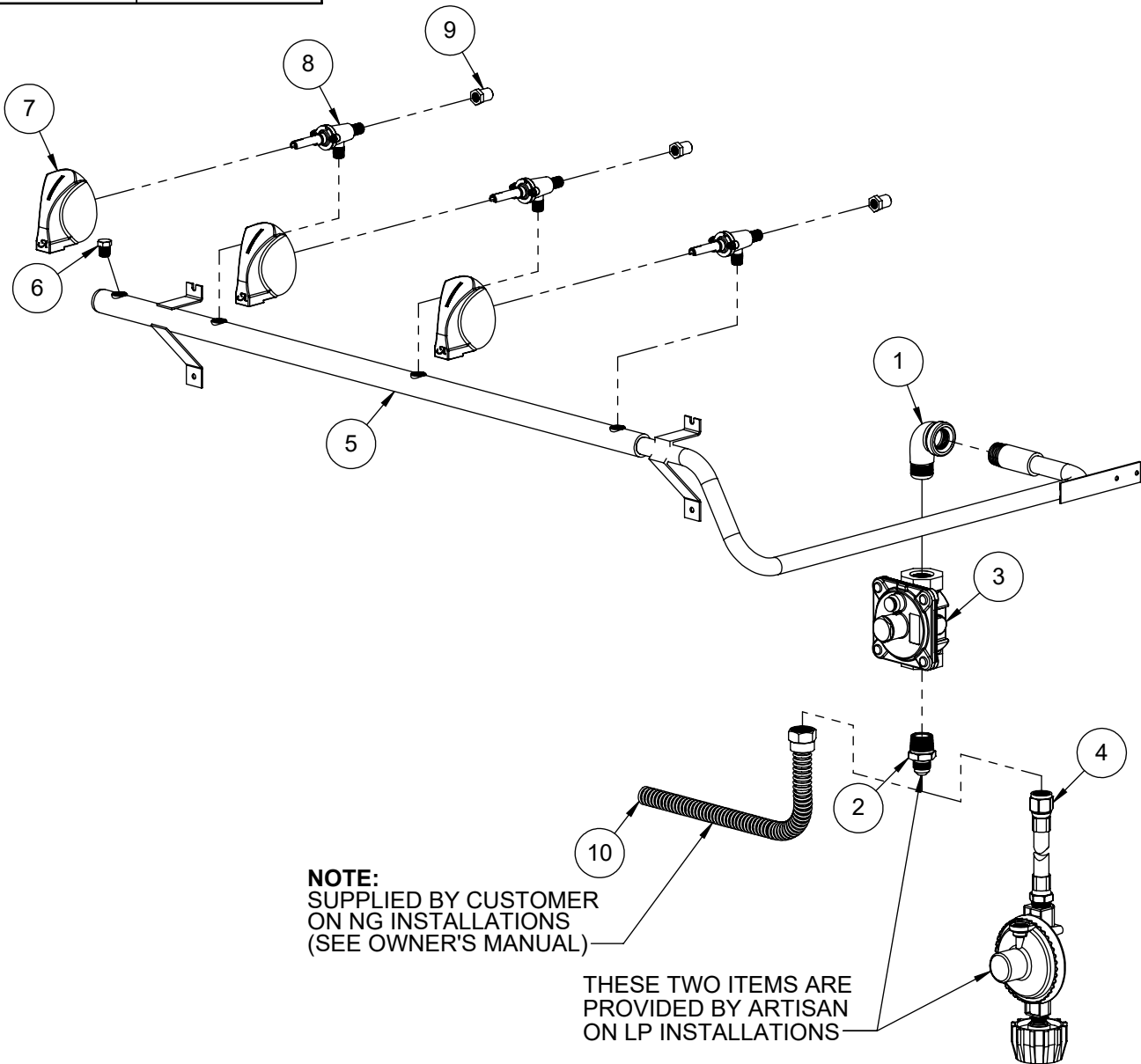
ITEM	PART NUMBER	DESCRIPTION	QTY
1	100-2024	FIREBOX TRAY SLIDE PART-A	2
2	100-2025	FIREBOX TRAY SLIDE PART-B	2
3	100-2372	FIREWALL	1
4	100-2373	BURNER BRACKET	3
5	100-2374	IGNITER COVER - STANDARD	3
6	100-2417	FIREBOX REAR COVER	1
7	100-2666	BUTTONS SHIELD - BRACKET	1
8	100-2742	BACK HOOD - REAR COVER	1
9	200-0057	SCREW 1/4-20 X 1/2 - TRUSS HEAD - PHILLIPS	6
10	200-0062	10-32 X 3/4 - PAN HEAD - PHILLIPS SCREW	2
11	200-0082	10-32 X 1/4 - PAN HEAD - PHILIPS SCREW	2
12	200-0111	SCREW 8-18 X 1/2 - SELF TAP - 410 SS	51
13	200-0267	10-32 X 1/2 - PAN HEAD - PHILLIPS SCREW	8
14	510-0567	IGNITER BRACKET	1
15	510-0742	PERIMETER RING	1
16	510-0748	PERIMETER MOUNTING BRACKET	2
17	510-0777	BACK HOOD INSIDE PANEL ASSEMBLY	1
18	510-1016	FIREBOX - RIVETED PARTS	1



ITEM	PART NUMBER	DESCRIPTION	QTY
1	200-0274	ELBOW 90° - CAST IRON - 1/2" FPT x 1/2" MPT	1
2	220-0275	NIPPLE - 1/2" MPT X 3/8" OD FL	1
3	220-0280	REGULATOR GAS - MAXITROL RV48CL440002	1
4	220-0301	REGULATOR - LP GAS W/36" HOSE - CONN. GREEN	1
5	220-0431	GAS MANIFOLD	1
6	220-0434	PLUG 1/8"x27 NPT - BRASS - HEX HEAD HOLLOW	1
7	290-0030	KNOB BBQ - ALFRESCO "A" LETTER	3
8	290-0320	VALVE - GAS - VARIABLE FLOW - 1/8-27 MPT X 1/8-27 NPTS	3
9	SEE NOTE	ORIFICE - MAIN BURNER - (SEE NOTE FOR SIZING)	3
10	SEE NOTE	1/2" ODF - FLEX SS GAS LINE (BY CUSTOMER)	1

NOTE: ORIFICE OR VALVE ASSEMBLY TO CHANGE ACCORDING TO FUEL SUPPLY: NATURAL GAS OR LIQUID PROPANE

ITEM	NG	LP
	PART #	PART #
9	220-0283	220-0284



Artisan

SUPERIOR EQUIPMENT SOLUTIONS
7039 EAST SLAUSON AVENUE
COMMERCE, CA. 90040

THE INFORMATION CONTAINED IN THIS DRAWING IS THE SOLE PROPERTY OF SUPERIOR EQUIPMENT SOLUTIONS INC. ANY REPRODUCTION IN PART OR AS A WHOLE WITHOUT WRITTEN PERMISSION FROM SUPERIOR EQUIPMENT SOLUTIONS, INC. IS PROHIBITED.

DRAWN BY: N SILCOCK
CREATED: 8/30/2016 2:00:44 PM

PROJECT TITLE:
AAEP-36

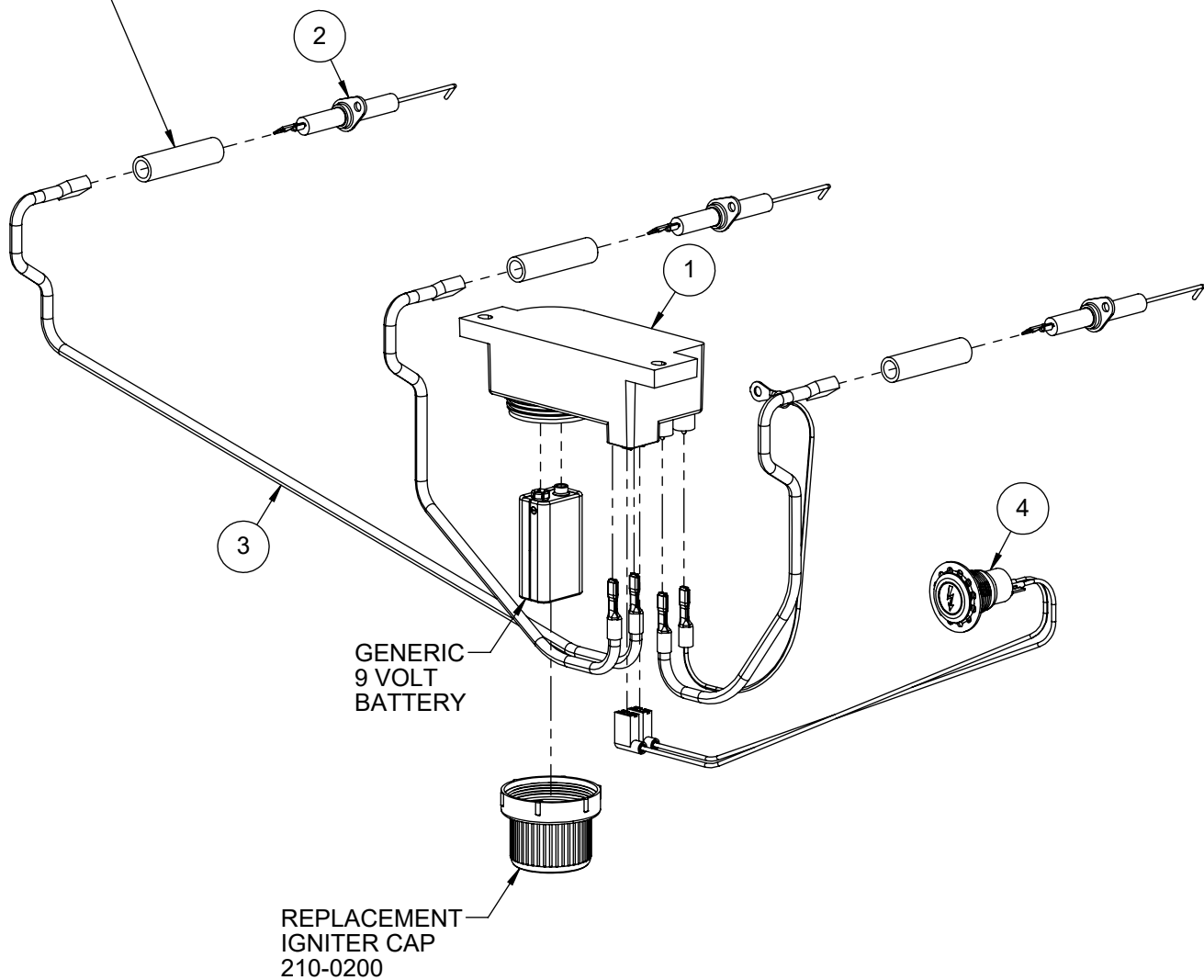
DRAWING TITLE:
GAS MANIFOLD

DRAWING NO.:
510-1085M

SHEET 1 OF 1

ITEM	PART NUMBER	DESCRIPTION	QTY
1	210-0194	IGNITER MODULE - 4 POINTS (WITH CAP)	1
2	210-0491	U-BURNER ELECTRODE TIP	3
3	210-0546	IGNITER WIRE KIT	1
4	210-0586	SWITCH - IGNITION - MOMENTARY [ON]/OFF	1

NOTE: SILICONE INSULATION SLEEVES ARE PART OF
IGNITER WIRE KIT 210-0546 (NOT SOLD SEPARATELY)



Artisan

THE INFORMATION CONTAINED IN THIS DRAWING IS THE
SOLE PROPERTY OF SUPERIOR EQUIPMENT SOLUTIONS
INC. ANY REPRODUCTION IN PART OR AS A WHOLE
WITHOUT WRITTEN PERMISSION FROM SUPERIOR
EQUIPMENT SOLUTIONS, INC. IS PROHIBITED.

PROJECT TITLE:

AAEP-32

DRAWING NO.:

510-1084M

DRAWING TITLE:

IGNITER COMPONENTS

DRAWN BY: N SILCOCK

CREATED: 8/24/2016 9:29:36 AM

SHEET 1 OF 1

SUPERIOR EQUIPMENT SOLUTIONS
7039 EAST SLAUSON AVENUE
COMMERCE, CA. 90040