

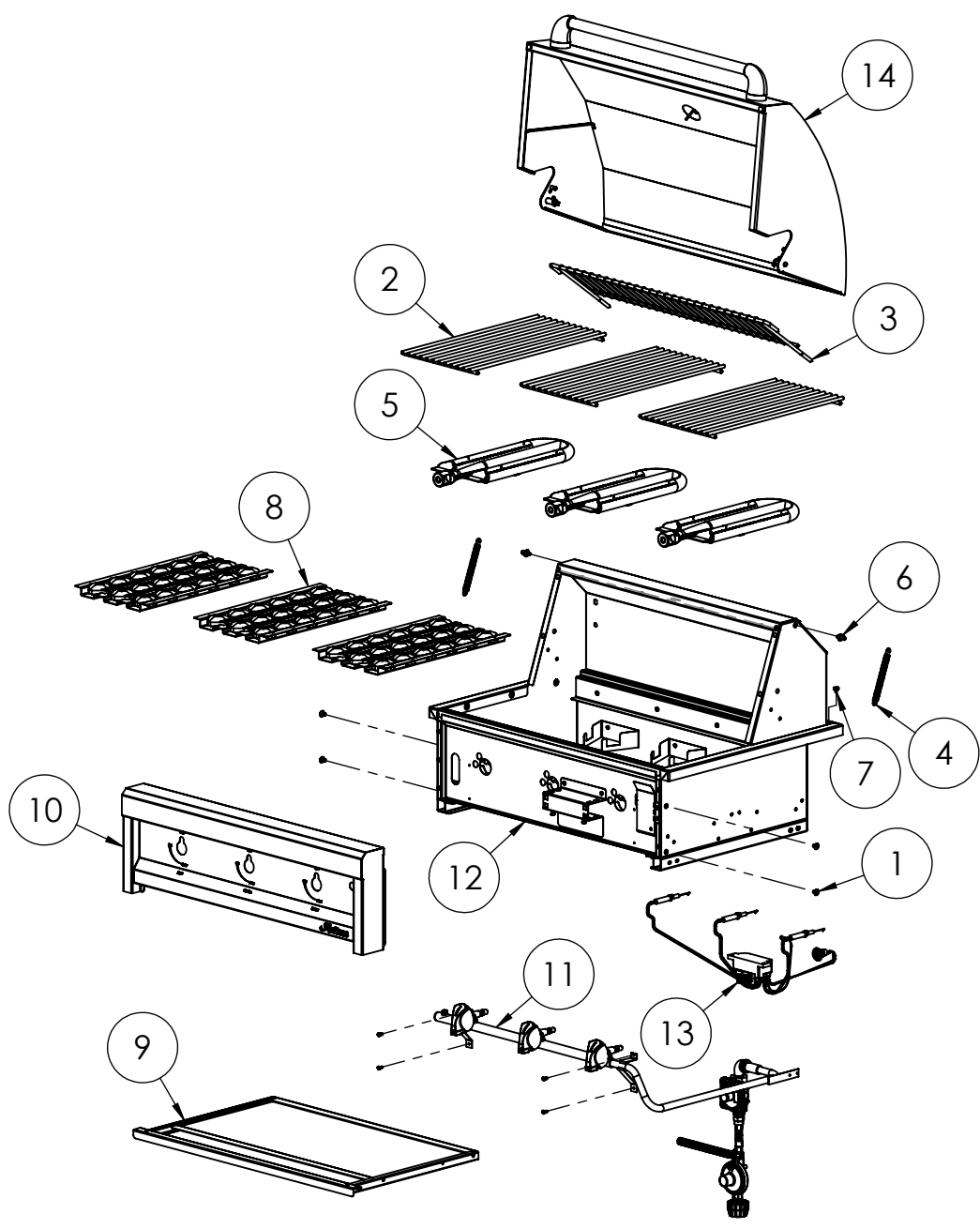
Artisan™

Professional Grills by Alfresco

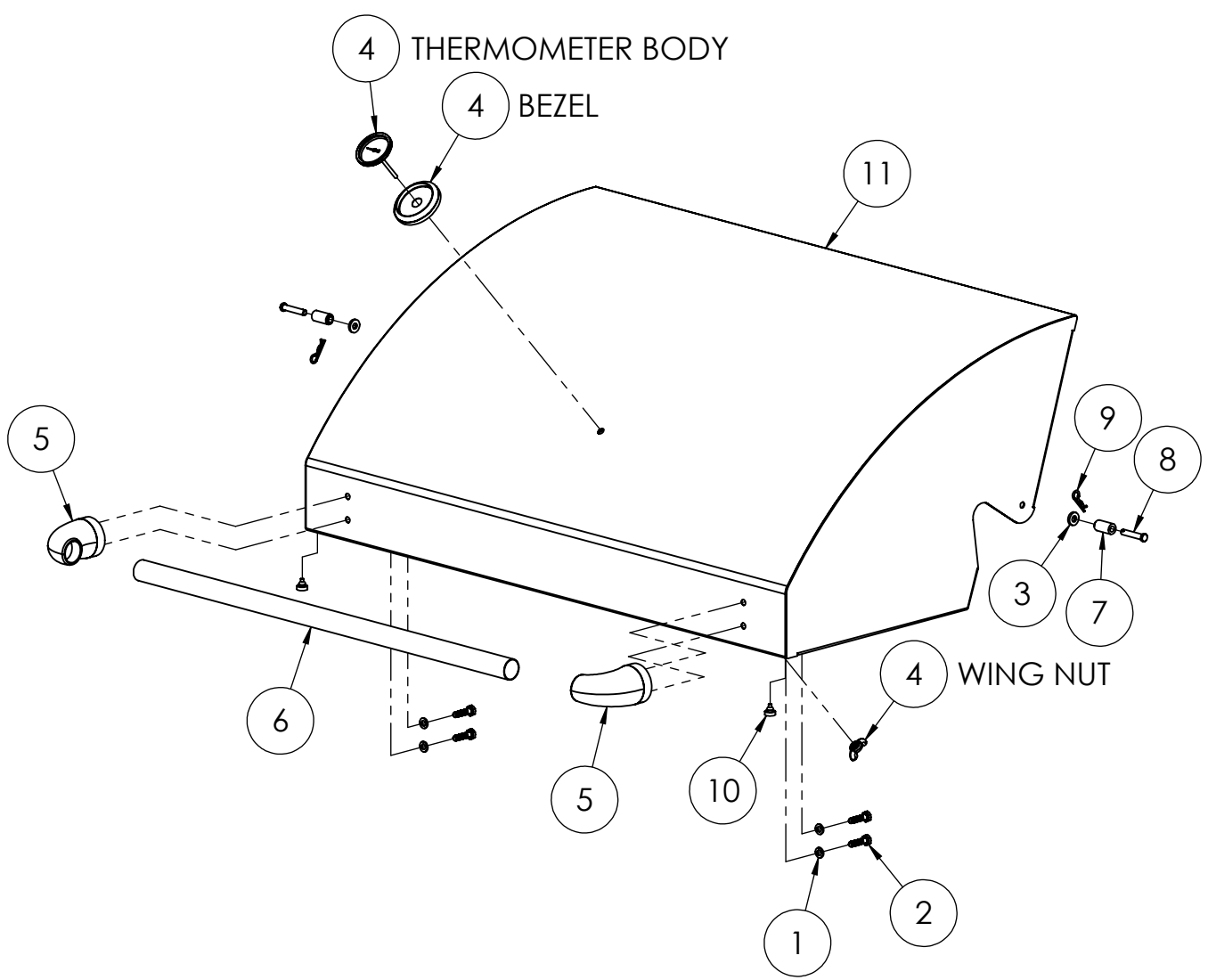


PARTS MANUAL
AAEP-32 MODELS
SN 25-134000 FORWARD

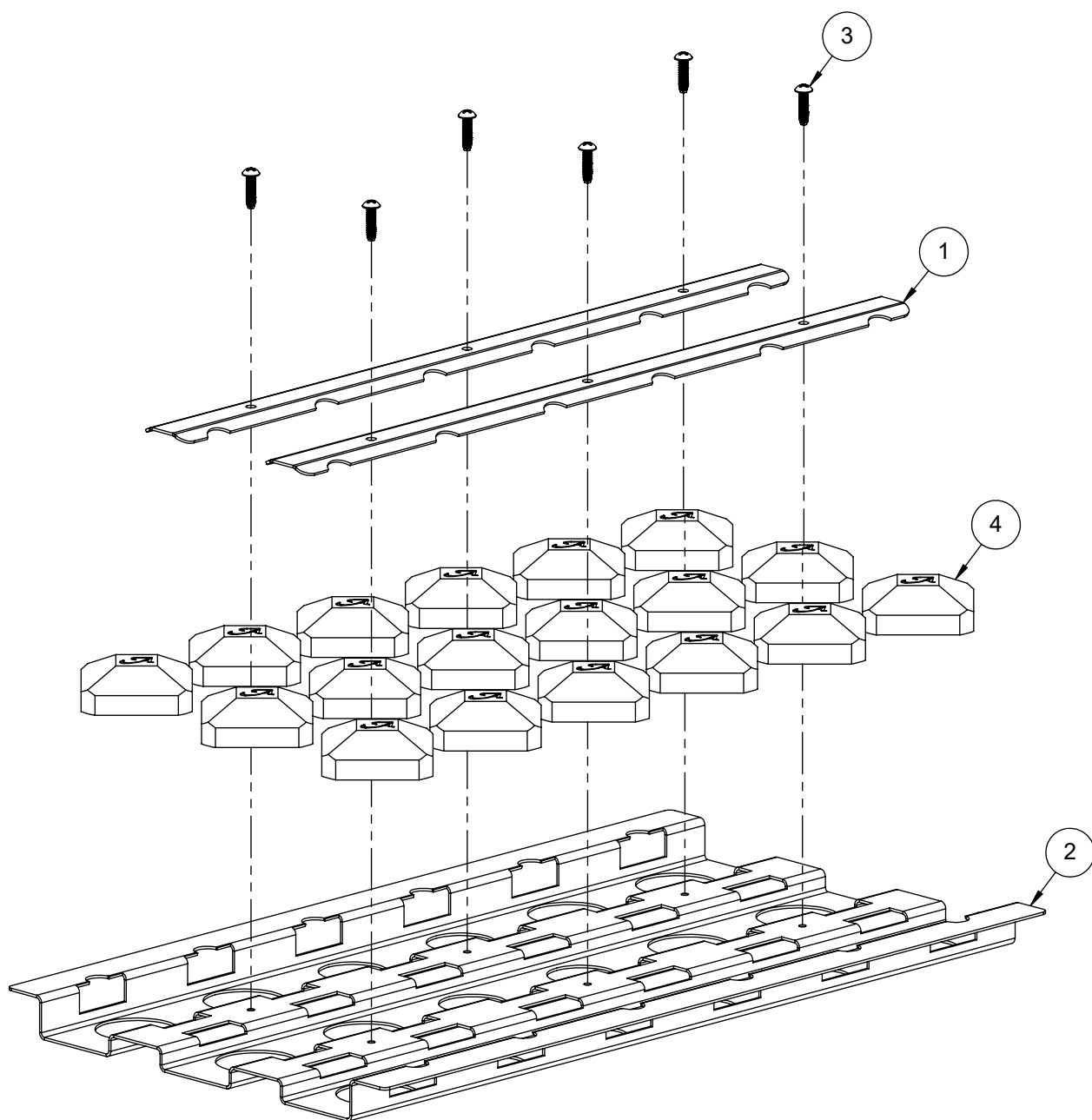
ITEM	PART NUMBER	DESCRIPTION	QTY
1	200-0086	1/4-20 X 3/8 - TRUSS HEAD - PHILIPS SCREW	4
2	290-0323	BBQ GRID - 9.8125" WIDE	3
3	290-0360	WARMING GRID	1
4	290-0443	SPRING TEMPERED- .513 OD x 4.875 L	2
5	290-0446	U-BURNER	3
6	290-0447	HOOD SPRING LATCH	2
7	290-0465	BUMPER 600°F 1/2" DIA x 5/32" HEAD	2
8	510-1025	BRIQUETTE TRAY ASSEMBLY - 9-3/4"	3
9	510-1029	GREASE TRAY ASSEMBLY	1
10	510-1033	FRONT PANEL	1
11	510-1082	GAS MANIFOLD	1
12	510-1083	BBQ MAIN BODY	1
13	510-1084	IGNITER COMPONENTS	1
14	510-1197	FRONT HOOD WITH BUMPERS	1



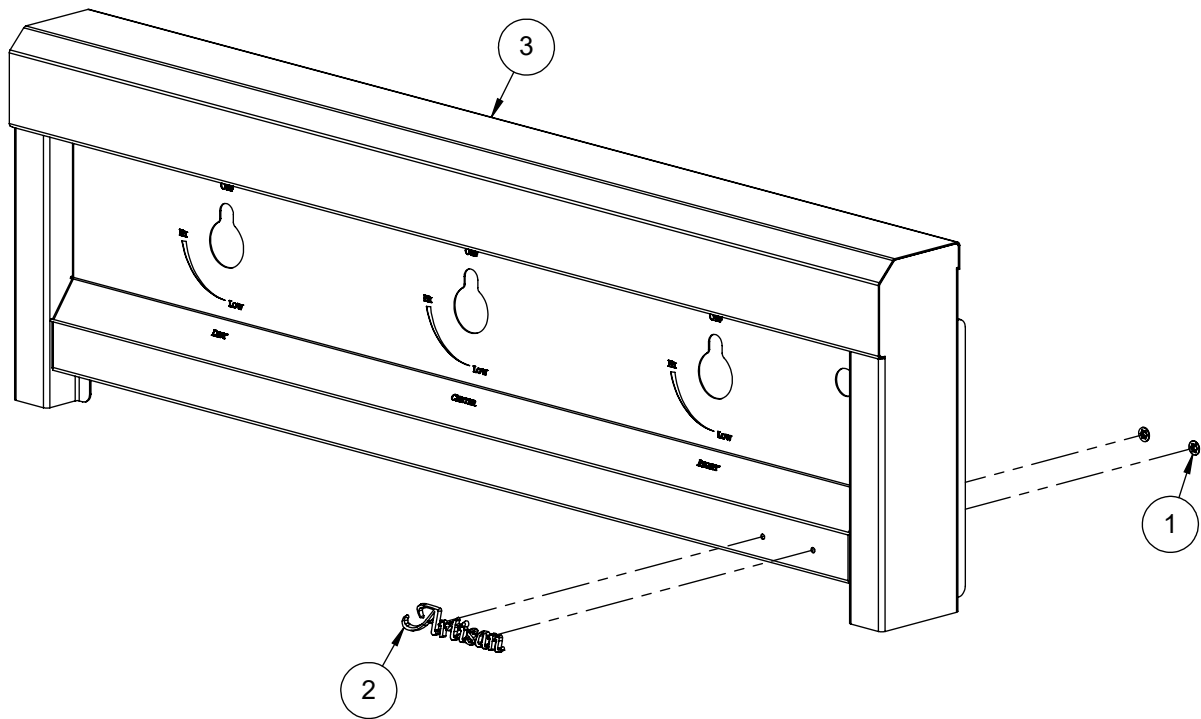
ITEM	PART NUMBER	DESCRIPTION	QTY
1	200-0087	WASHER - 1/4" SPRING LOCK- REGULAR - SS	4
2	200-0091	HH- HD - 1/4-20 x 1 x .75 THREAD	4
3	200-0092	1/4 X 1/8 X 5/8 FLAT WASHER - SPACER	2
4	210-0490	THERMOMETER ASSEMBLY	1
5	290-0063	HANDLE - END CAP ASSEMBLY	2
6	290-0316	32" BBQ FRONT HOOD HANDLE BAR	1
7	290-0444	SPACER - 1/2" OD x 1/4" ID	2
8	290-0445	CLEVIS PIN - 1/4"Ø x 1-3/8	2
9	290-0448	COTTER PIN - HAIRPIN 1/4" ~ 3/8" Pin Ø x 1-1/4" L x 5/64" WIRE	2
10	290-0465	BUMPER 600°F 1/2" DIA x 5/32" HEAD	2
11	510-1198	FRONT HOOD - WELDED PARTS - W/BUMPER	1



ITEM	PART NUMBER	DESCRIPTION	QTY
1	100-1895	BRIQUETTE LOCK BAR	2
2	100-2669	BRIQUETTE TRAY BASE - 9-5/8" WIDE	1
3	200-0314	SCREW 8-32 x 5/8", PAN HEAD, PHILLIPS THREAD CUTTER TYPE F	6
4	265-0005	CERAMIC BRIQUETTE W/ LOGO	18



ITEM	PART NUMBER	DESCRIPTION	QTY
1	200-0093	WASHER - PUSH LOCK 1/8" ID X 3/8" OD (LOGO)	2
2	290-0356	ARTISAN LOGO	1
3	510-1034	FRONT PANEL - WELDED PARTS	1



BILL OF MATERIAL

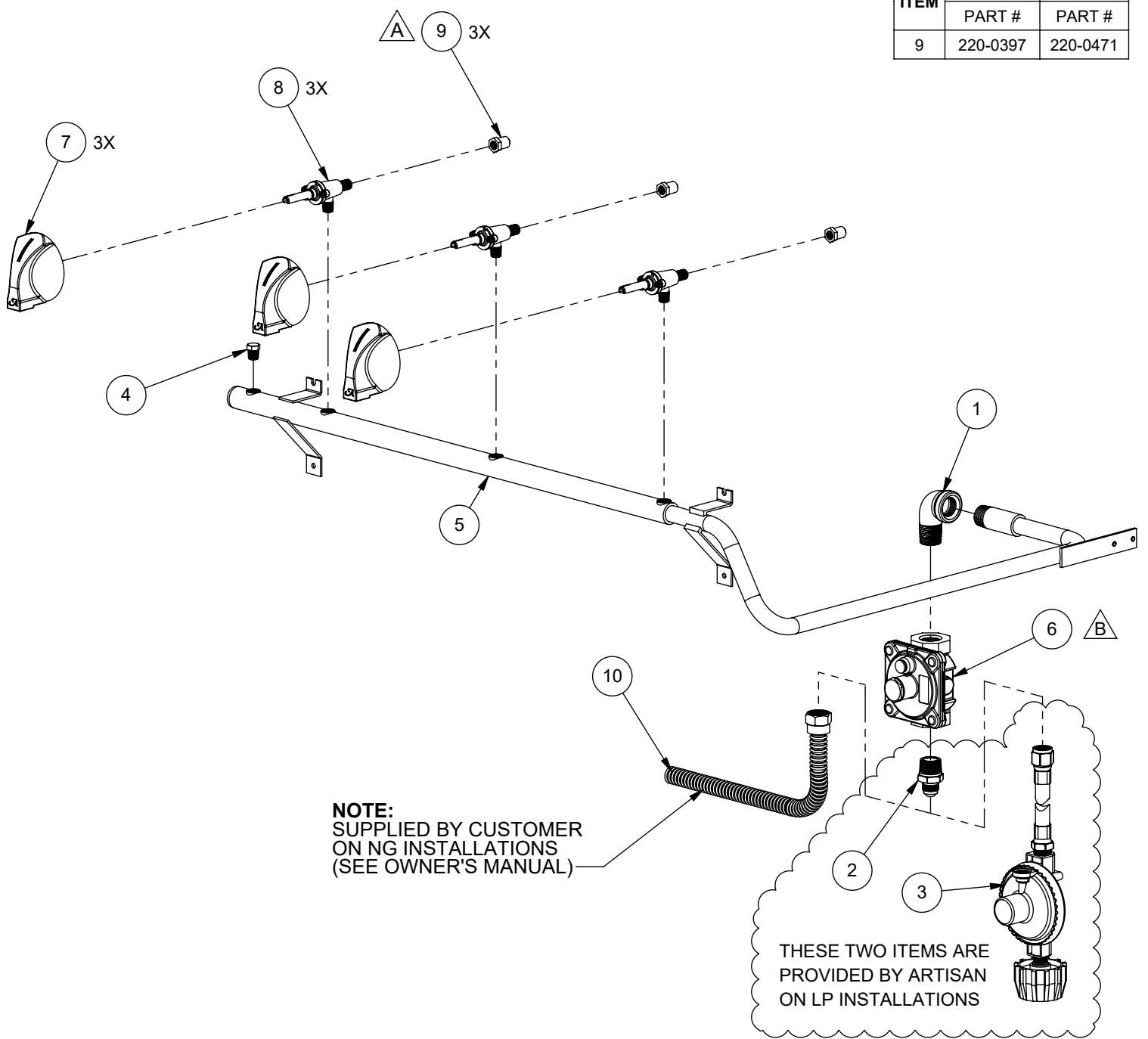
NO.	PART #	DESCRIPTION	QTY
1	200-0274	ELBOW, STREET, 1/2" NPT X 1/2" NPT-F, BLACK IRON	1
2	220-0275	NIPPLE, 1/2" NPT X 3/8" OD 45° FLARE, BRASS	1
3	220-0301	REGULATOR - SINGLE STAGE- LP GAS W/36" HOSE - GREEN	1
4	220-0434	PLUG, 1/8" NPT, HEX HEAD HOLLOW, BRASS	1
5	220-0469	ARTP-32 GAS MANIFOLD	1
6	220-0555	REGULATOR GAS - LOW TEMP - 4/10" W.C. CONV.	1
7	290-0030	GAS KNOB WITH "A" LOGO	3
8	290-0320	GAS VALVE - 1/8-27 MPT X 1/8-27 NPTS	3
9	SEE NOTE	ORIFICE - MAIN BURNER	3
10	SEE NOTE	1/2" ODF - FLEX SS GAS LINE (BY CUSTOMER)	1

REVISIONS

REV.	DESCRIPTION	DATE	BY
A	CORRECTED ORIFICE NUMBERS	9/23/2021	AEC
B	UPDATED TO LOW TEMP AND ASSOCIATED COMPONENTS	3/30/2026	AEC

NOTE: ORIFICE OR VALVE ASSEMBLY TO CHANGE ACCORDING TO FUEL TYPE: NATURAL GAS OR LIQUID PROPANE

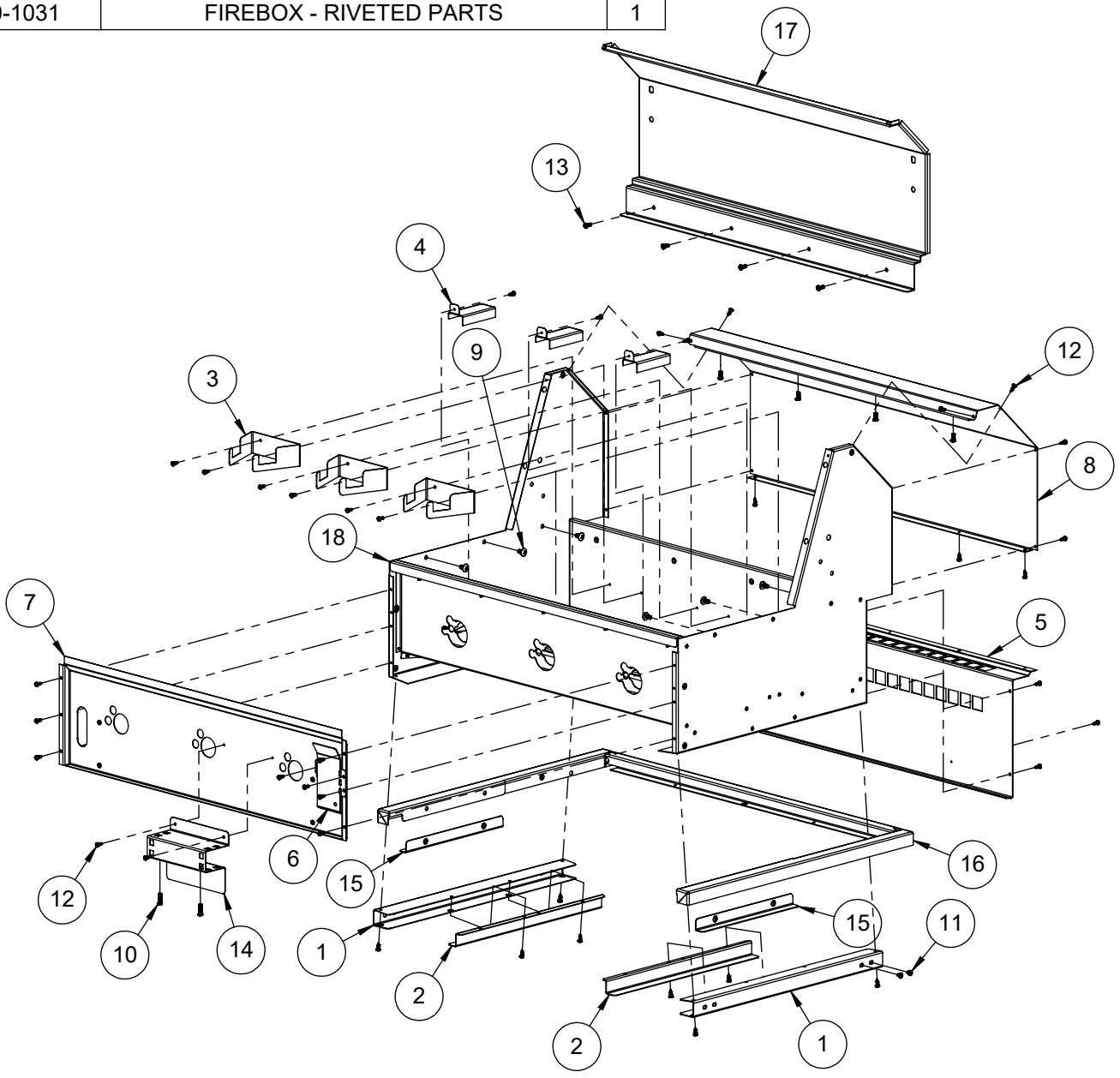
ITEM	NG	LP
	PART #	PART #
9	220-0397	220-0471



NOTE:
SUPPLIED BY CUSTOMER
ON NG INSTALLATIONS
(SEE OWNER'S MANUAL)

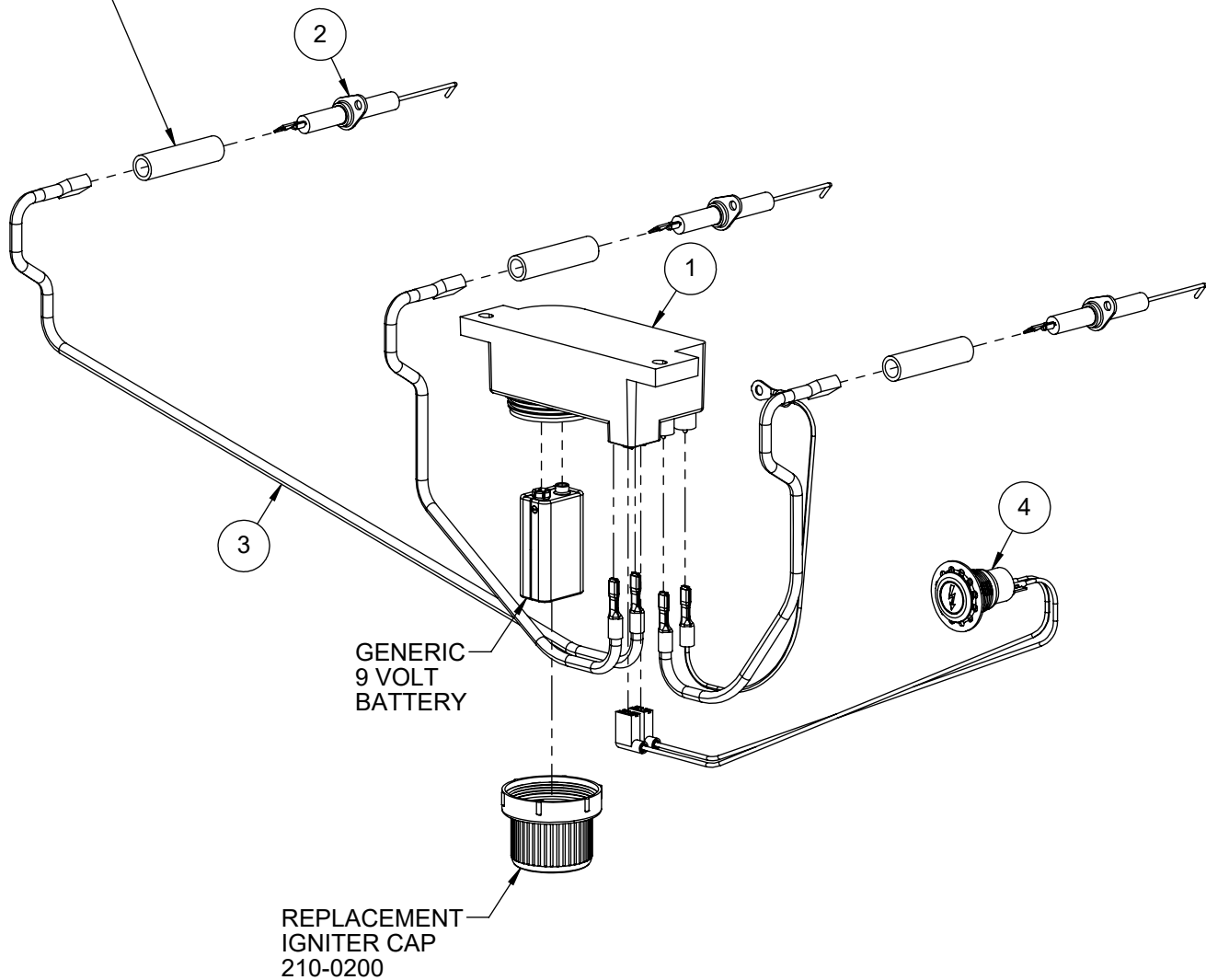
THESE TWO ITEMS ARE
PROVIDED BY ARTISAN
ON LP INSTALLATIONS

ITEM	PART NUMBER	DESCRIPTION	QTY
1	100-2024	FIREBOX TRAY SLIDE PART-A	2
2	100-2025	FIREBOX TRAY SLIDE PART-B	2
3	100-2373	BURNER BRACKET	3
4	100-2374	IGNITER COVER - STANDARD	3
5	100-2421	FIREBOX REAR COVER	1
6	100-2666	BUTTONS SHIELD - BRACKET	1
7	100-2675	FIREWALL	1
8	100-2703	BACK HOOD - REAR COVER	1
9	200-0057	SCREW 1/4-20 X 1/2 - TRUSS HEAD - PHILLIPS	6
10	200-0062	10-32 X 3/4 - PAN HEAD - PHILLIPS SCREW	2
11	200-0082	10-32 X 1/4 - PAN HEAD - PHILIPS SCREW	2
12	200-0111	SCREW 8-18 X 1/2 - SELF TAP - 410 SS	53
13	200-0267	10-32 X 1/2 - PAN HEAD - PHILLIPS SCREW	8
14	510-0567	IGNITER BRACKET	1
15	510-0748	PERIMETER MOUNTING BRACKET	2
16	510-0752	PERIMETER RING	1
17	510-0781	BACK HOOD INSIDE PANEL	1
18	510-1031	FIREBOX - RIVETED PARTS	1



ITEM	PART NUMBER	DESCRIPTION	QTY
1	210-0194	IGNITER MODULE - 4 POINTS (WITH CAP)	1
2	210-0491	U-BURNER ELECTRODE TIP	3
3	210-0546	IGNITER WIRE KIT	1
4	210-0586	SWITCH - IGNITION - MOMENTARY [ON]/OFF	1

NOTE: SILICONE INSULATION SLEEVES ARE PART OF IGNITER WIRE KIT 210-0546 (NOT SOLD SEPARATELY)



Artisan[™]
Professional Grills by Alfresco