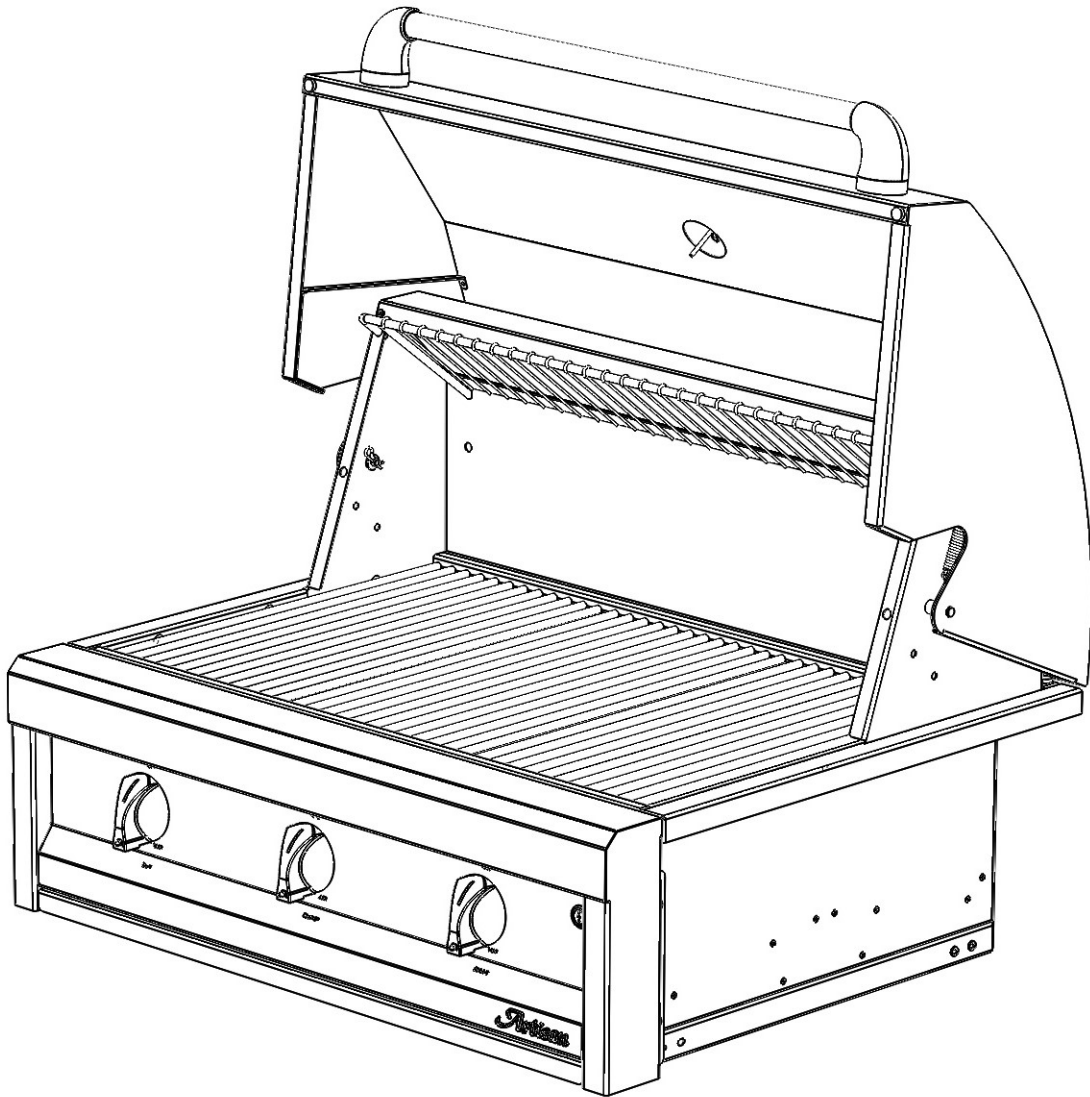
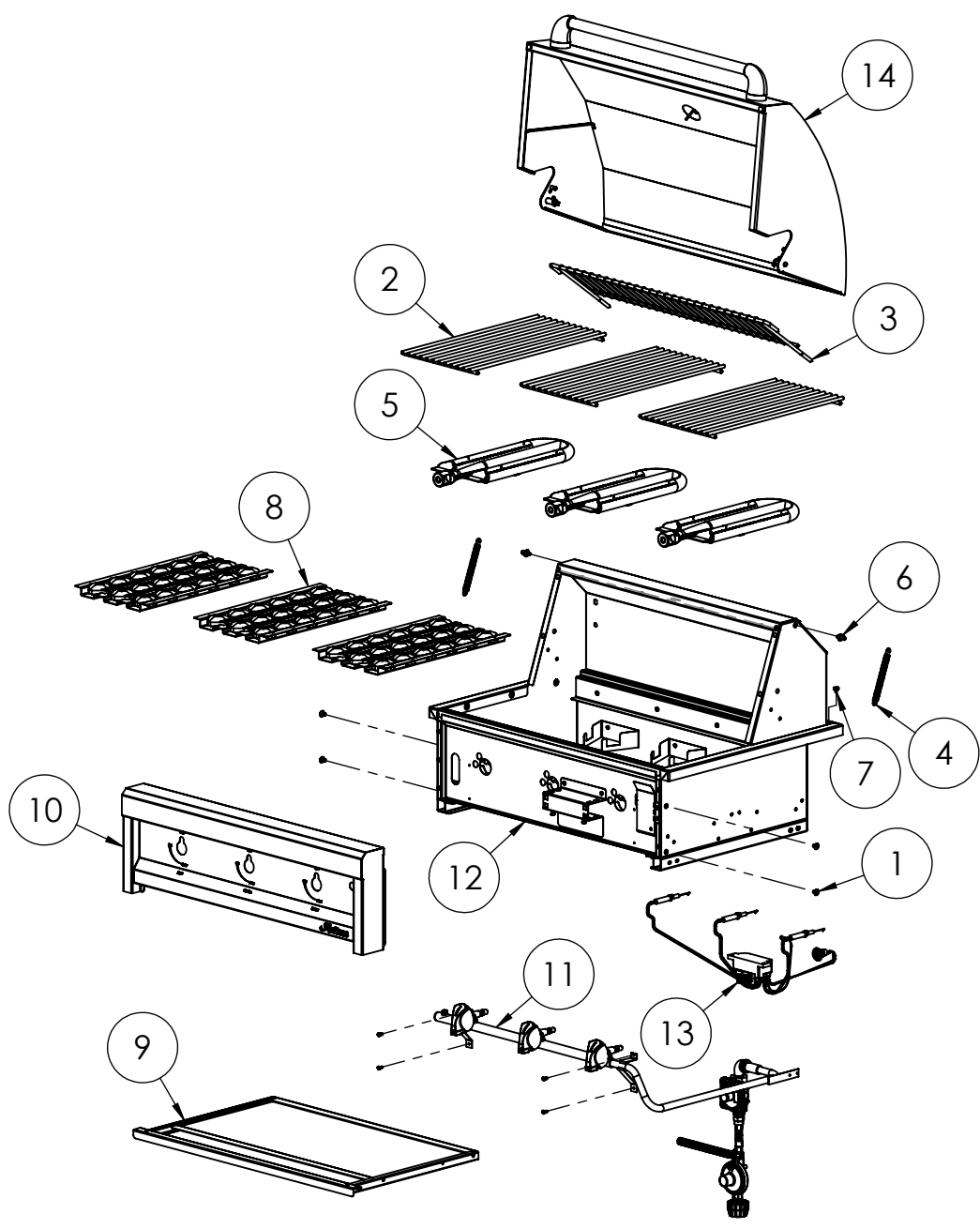


Artisan

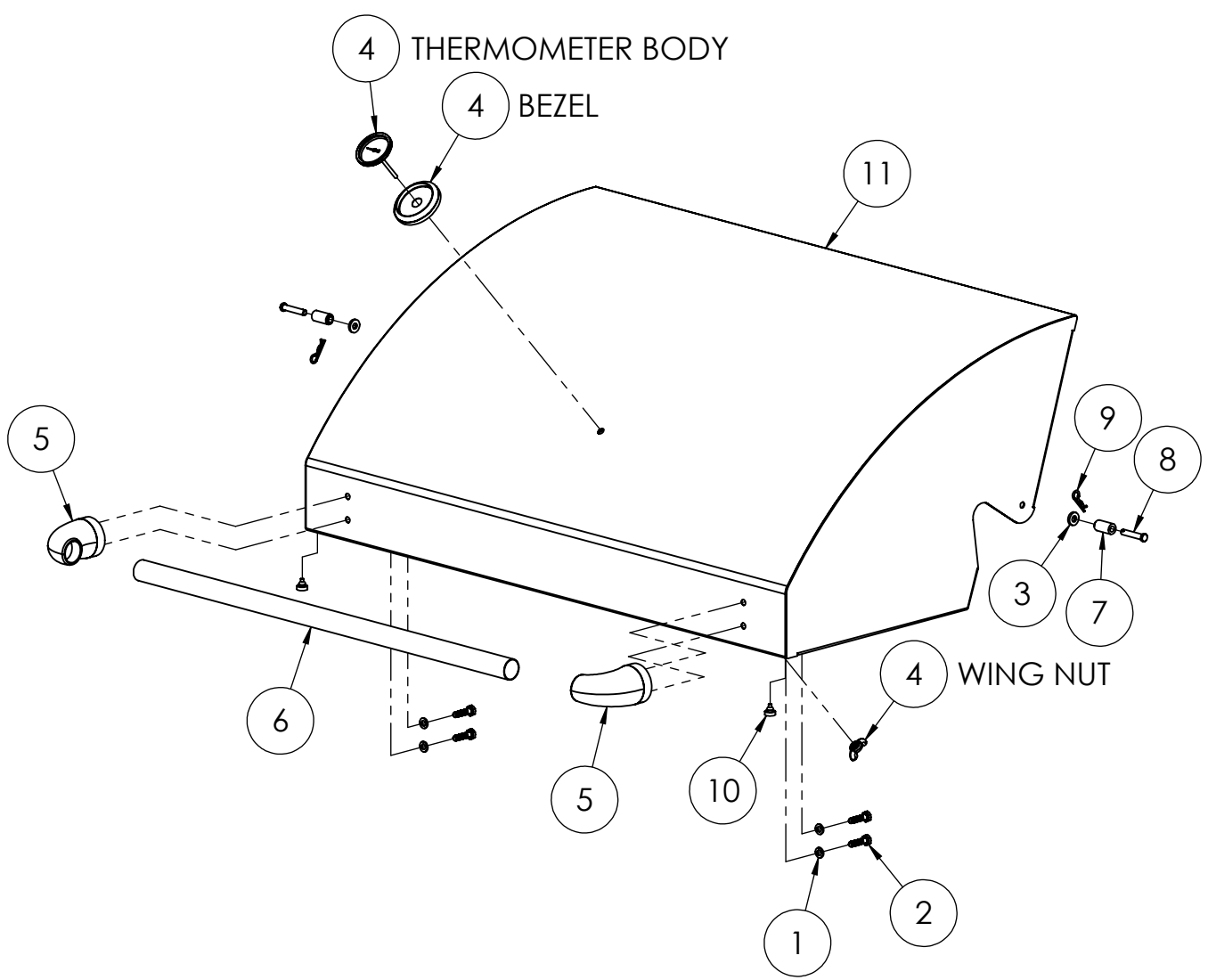


AAEP-32 Parts Manual
BUILT-IN 32" BBQ GRILL WITH THREE BURNERS
Serial # 18-00000 to 25-133999

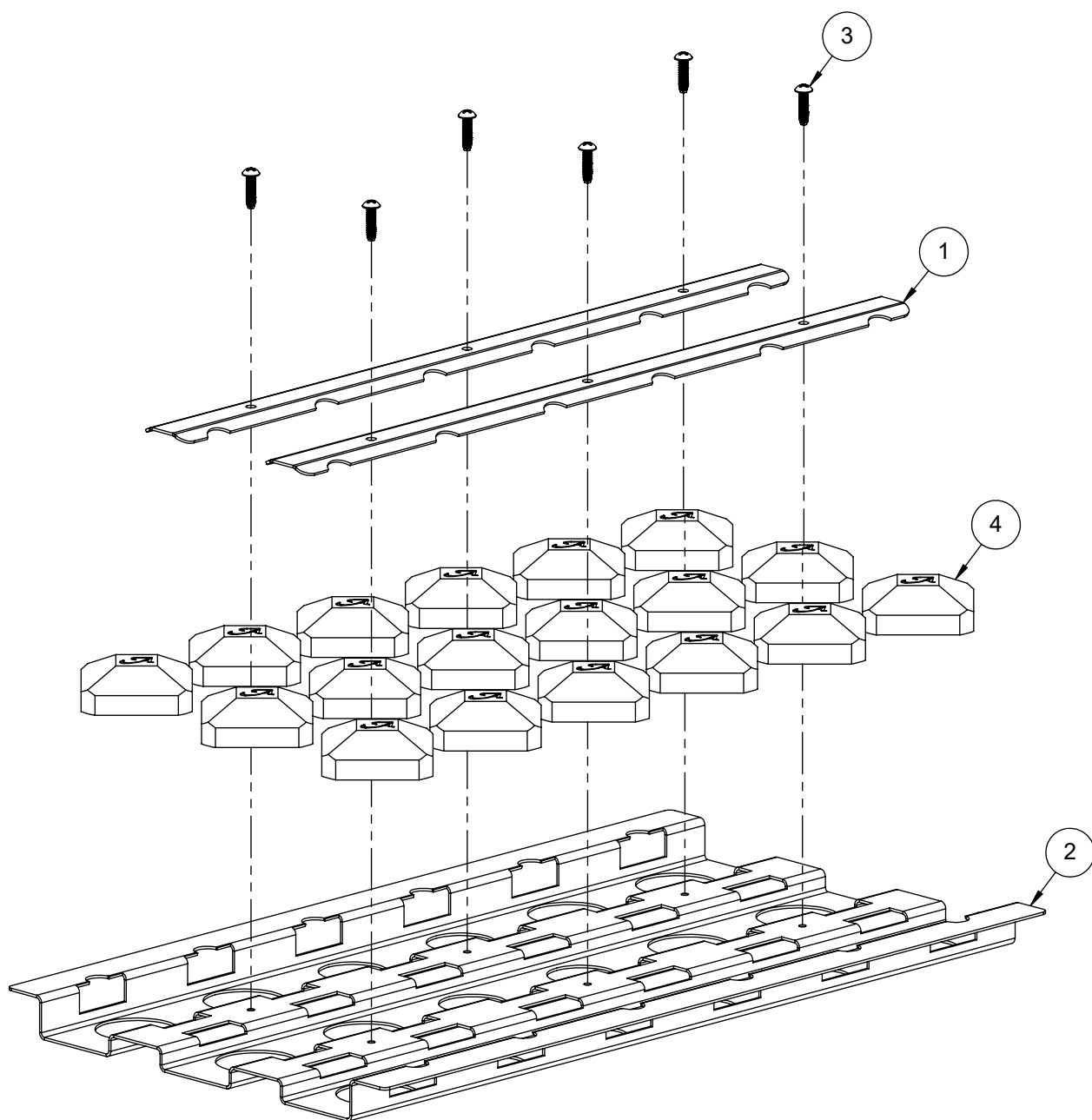
ITEM	PART NUMBER	DESCRIPTION	QTY
1	200-0086	1/4-20 X 3/8 - TRUSS HEAD - PHILIPS SCREW	4
2	290-0323	BBQ GRID - 9.8125" WIDE	3
3	290-0360	WARMING GRID	1
4	290-0443	SPRING TEMPERED- .513 OD x 4.875 L	2
5	290-0446	U-BURNER	3
6	290-0447	HOOD SPRING LATCH	2
7	290-0465	BUMPER 600°F 1/2" DIA x 5/32" HEAD	2
8	510-1025	BRIQUETTE TRAY ASSEMBLY - 9-3/4"	3
9	510-1029	GREASE TRAY ASSEMBLY	1
10	510-1033	FRONT PANEL	1
11	510-1082	GAS MANIFOLD	1
12	510-1083	BBQ MAIN BODY	1
13	510-1084	IGNITER COMPONENTS	1
14	510-1197	FRONT HOOD WITH BUMPERS	1



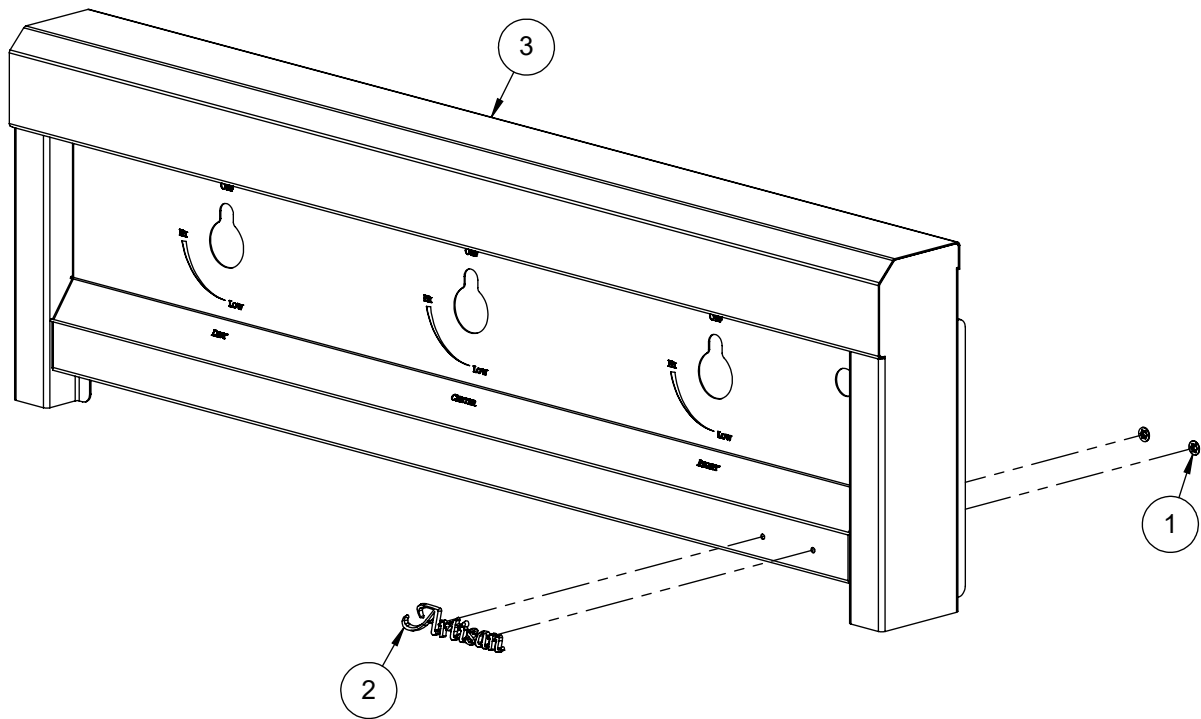
ITEM	PART NUMBER	DESCRIPTION	QTY
1	200-0087	WASHER - 1/4" SPRING LOCK- REGULAR - SS	4
2	200-0091	HH- HD - 1/4-20 x 1 x .75 THREAD	4
3	200-0092	1/4 X 1/8 X 5/8 FLAT WASHER - SPACER	2
4	210-0490	THERMOMETER ASSEMBLY	1
5	290-0063	HANDLE - END CAP ASSEMBLY	2
6	290-0316	32" BBQ FRONT HOOD HANDLE BAR	1
7	290-0444	SPACER - 1/2" OD x 1/4" ID	2
8	290-0445	CLEVIS PIN - 1/4"Ø x 1-3/8	2
9	290-0448	COTTER PIN - HAIRPIN 1/4" ~ 3/8" Pin Ø x 1-1/4" L x 5/64" WIRE	2
10	290-0465	BUMPER 600°F 1/2" DIA x 5/32" HEAD	2
11	510-1198	FRONT HOOD - WELDED PARTS - W/BUMPER	1




ITEM	PART NUMBER	DESCRIPTION	QTY
1	100-1895	BRIQUETTE LOCK BAR	2
2	100-2669	BRIQUETTE TRAY BASE - 9-5/8" WIDE	1
3	200-0314	SCREW 8-32 x 5/8", PAN HEAD, PHILLIPS THREAD CUTTER TYPE F	6
4	265-0005	CERAMIC BRIQUETTE W/ LOGO	18

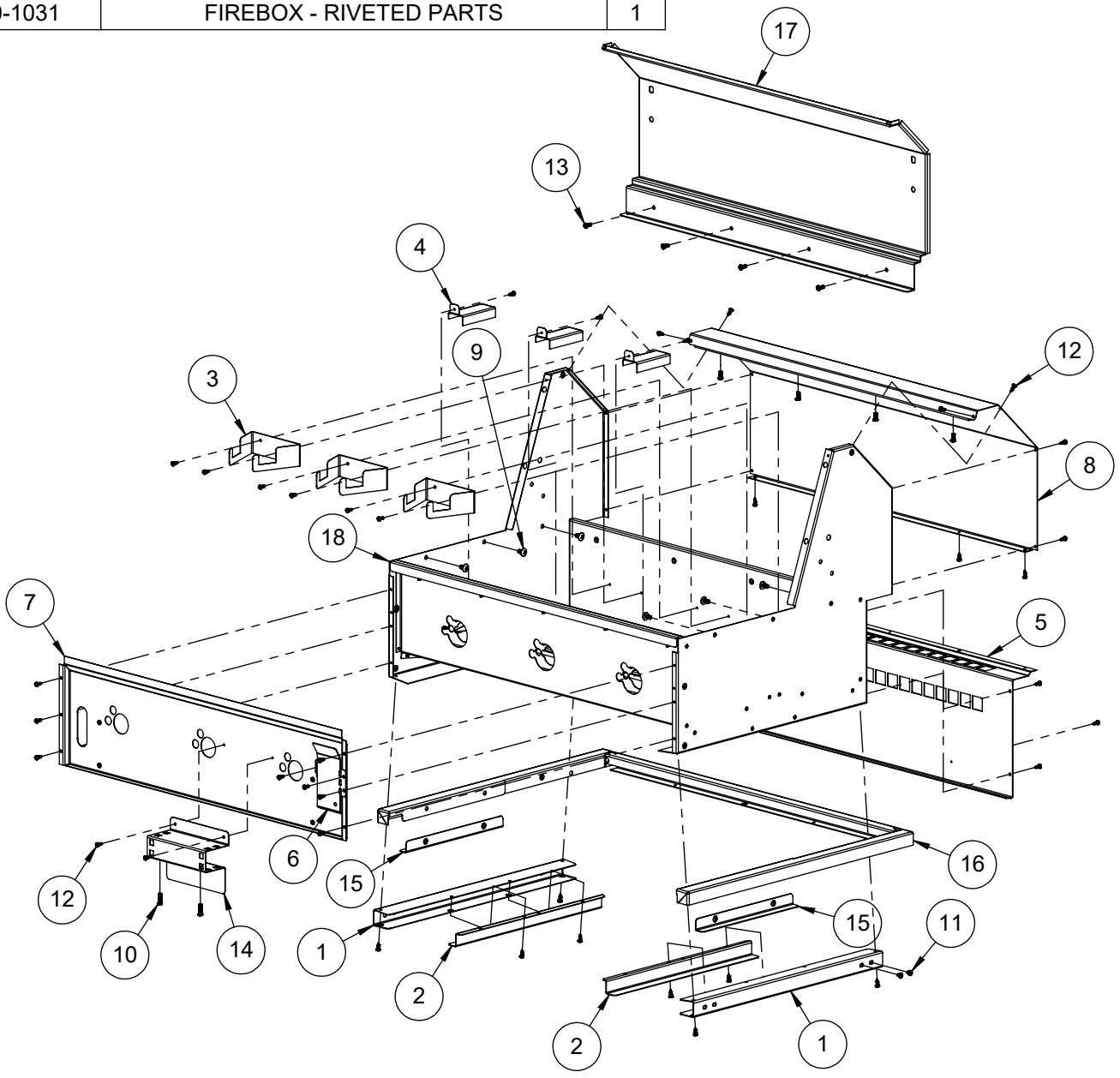


ITEM	PART NUMBER	DESCRIPTION	QTY
1	200-0093	WASHER - PUSH LOCK 1/8" ID X 3/8" OD (LOGO)	2
2	290-0356	ARTISAN LOGO	1
3	510-1034	FRONT PANEL - WELDED PARTS	1



 SUPERIOR EQUIPMENT SOLUTIONS 7039 EAST SLAUSON AVENUE COMMERCE, CA. 90040	THE INFORMATION CONTAINED IN THIS DRAWING IS THE SOLE PROPERTY OF SUPERIOR EQUIPMENT SOLUTIONS INC. ANY REPRODUCTION IN PART OR AS A WHOLE WITHOUT WRITTEN PERMISSION FROM SUPERIOR EQUIPMENT SOLUTIONS, INC. IS PROHIBITED.	PROJECT TITLE: AAEP-32	DRAWING NO.: 510-1033M
	DRAWN BY: N SILCOCK CREATED: 8/23/2016 2:20:55 PM	DRAWING TITLE: FRONT PANEL	SHEET 1 OF 1

ITEM	PART NUMBER	DESCRIPTION	QTY
1	100-2024	FIREBOX TRAY SLIDE PART-A	2
2	100-2025	FIREBOX TRAY SLIDE PART-B	2
3	100-2373	BURNER BRACKET	3
4	100-2374	IGNITER COVER - STANDARD	3
5	100-2421	FIREBOX REAR COVER	1
6	100-2666	BUTTONS SHIELD - BRACKET	1
7	100-2675	FIREWALL	1
8	100-2703	BACK HOOD - REAR COVER	1
9	200-0057	SCREW 1/4-20 X 1/2 - TRUSS HEAD - PHILLIPS	6
10	200-0062	10-32 X 3/4 - PAN HEAD - PHILLIPS SCREW	2
11	200-0082	10-32 X 1/4 - PAN HEAD - PHILIPS SCREW	2
12	200-0111	SCREW 8-18 X 1/2 - SELF TAP - 410 SS	53
13	200-0267	10-32 X 1/2 - PAN HEAD - PHILLIPS SCREW	8
14	510-0567	IGNITER BRACKET	1
15	510-0748	PERIMETER MOUNTING BRACKET	2
16	510-0752	PERIMETER RING	1
17	510-0781	BACK HOOD INSIDE PANEL	1
18	510-1031	FIREBOX - RIVETED PARTS	1



ITEM	PART NUMBER	DESCRIPTION	QTY
1	210-0194	IGNITER MODULE - 4 POINTS (WITH CAP)	1
2	210-0491	U-BURNER ELECTRODE TIP	3
3	210-0546	IGNITER WIRE KIT	1
4	210-0586	SWITCH - IGNITION - MOMENTARY [ON]/OFF	1

NOTE: SILICONE INSULATION SLEEVES ARE PART OF
IGNITER WIRE KIT 210-0546 (NOT SOLD SEPARATELY)

