

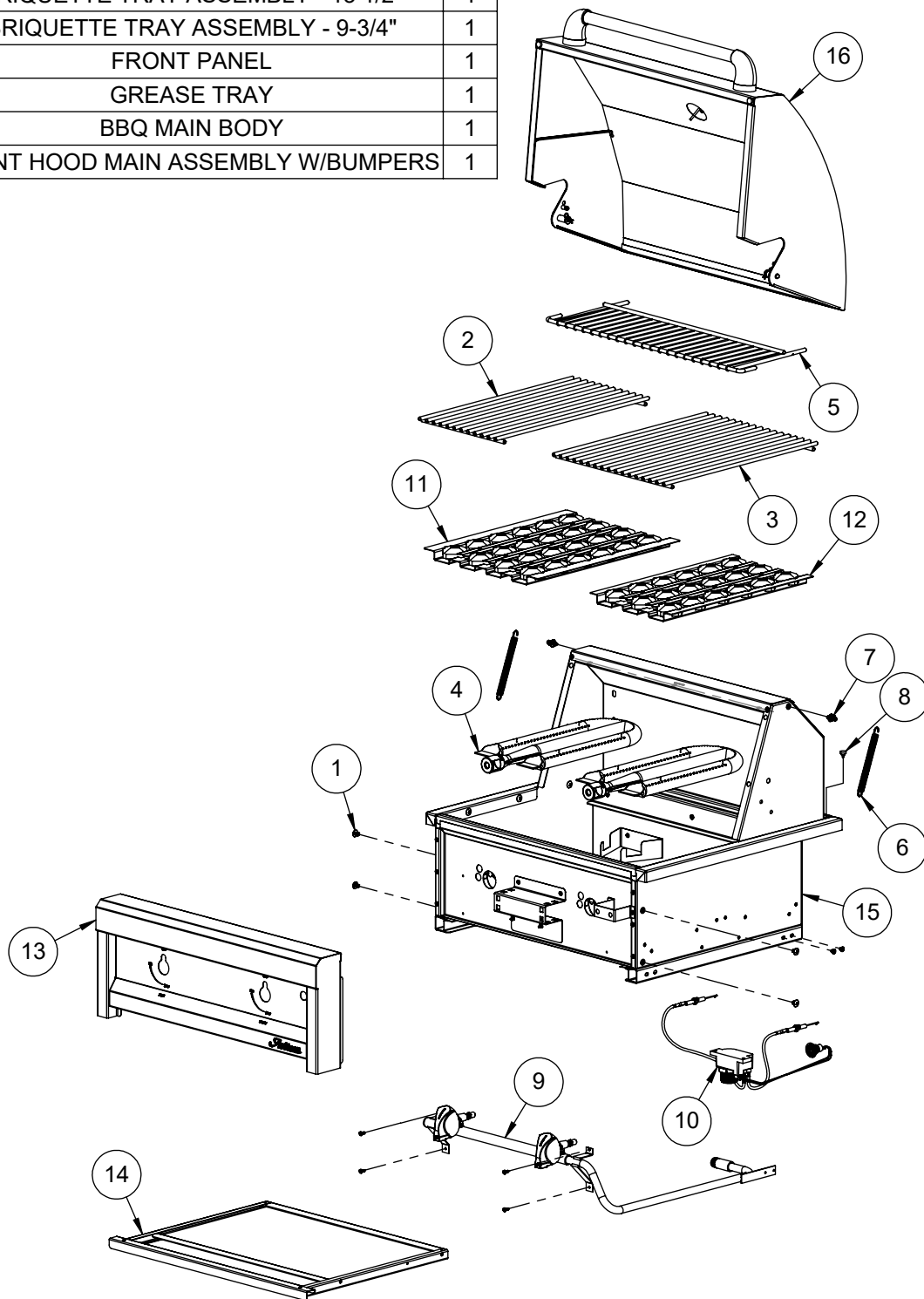
Artisan™

Professional Grills by Alfresco

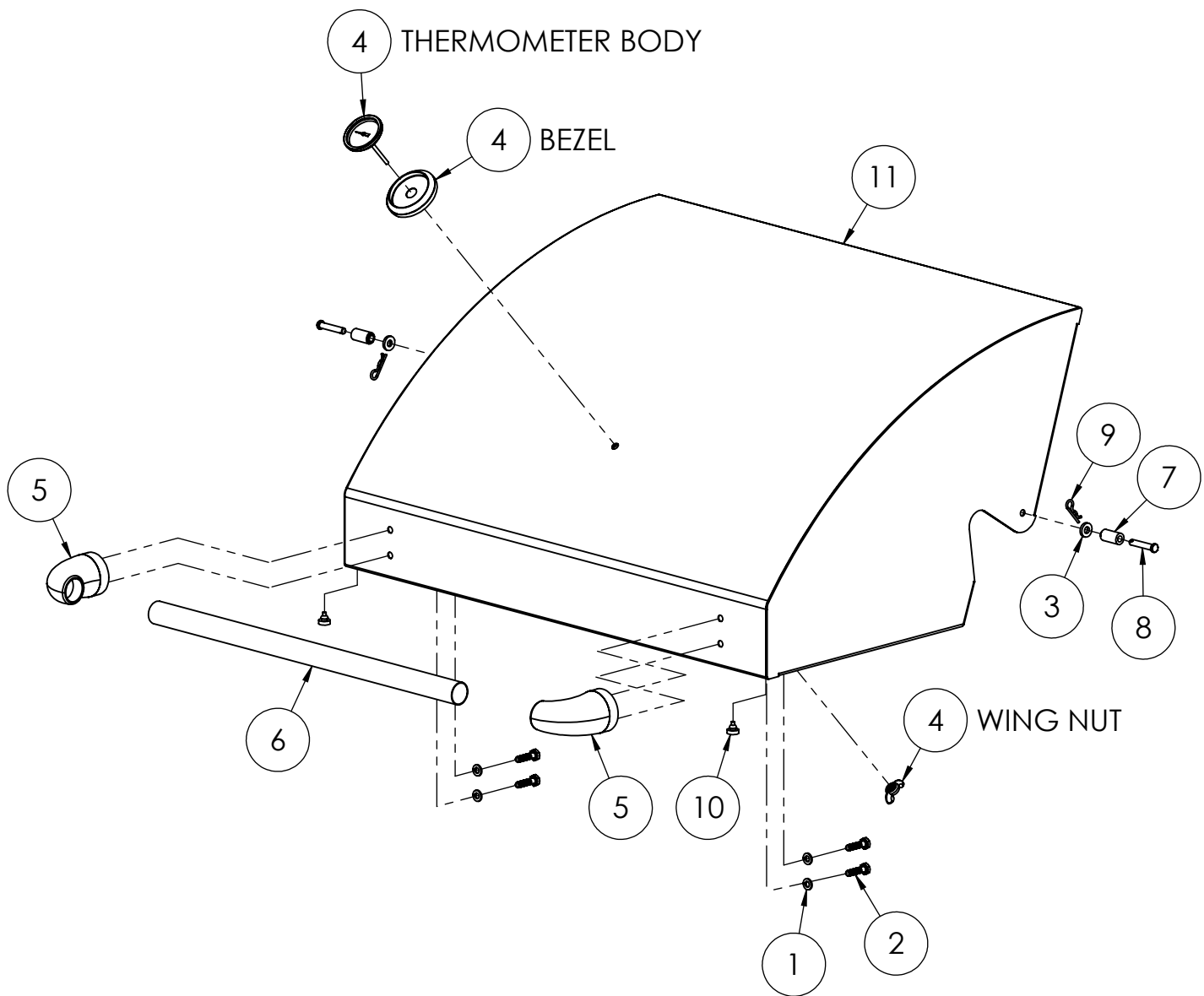


PARTS MANUAL
AAEP-26 MODELS
SN 25-134000 FORWARD

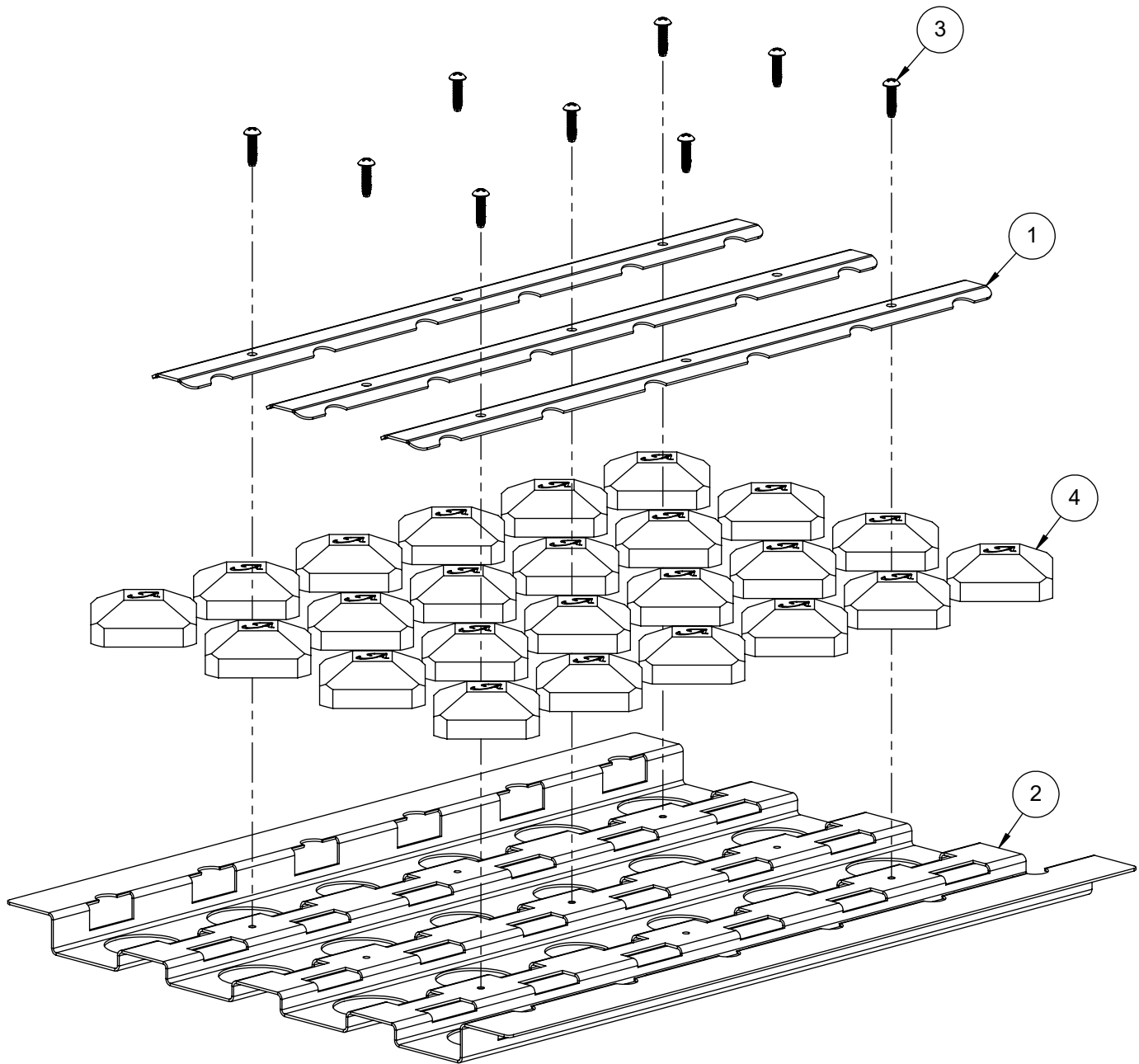
ITEM	PART NUMBER	DESCRIPTION	QTY
1	200-0086	1/4-20 X 3/8 - TRUSS HEAD - PHILIPS SCREW	4
2	290-0323	BBQ GRID - 9.8125" WIDE	1
3	290-0324	BBQ GRID - 13.8125" WIDE	1
4	290-0355	U-BURNER	2
5	290-0361	WARMING GRID	1
6	290-0443	SPRING TEMPERED- .513 OD x 4.875 L	2
7	290-0447	HOOD SPRING LATCH	2
8	290-0465	BUMPER 600°F 1/2" DIA x 5/32" HEAD	2
9	510-0845	GAS MANIFOLD	1
10	510-0846	IGNITER COMPONENTS	1
11	510-1024	BRIQUETTE TRAY ASSEMBLY - 13 1/2"	1
12	510-1025	BRIQUETTE TRAY ASSEMBLY - 9-3/4"	1
13	510-1035	FRONT PANEL	1
14	510-1039	GREASE TRAY	1
15	510-1043	BBQ MAIN BODY	1
16	510-1199	FRONT HOOD MAIN ASSEMBLY W/BUMPERS	1



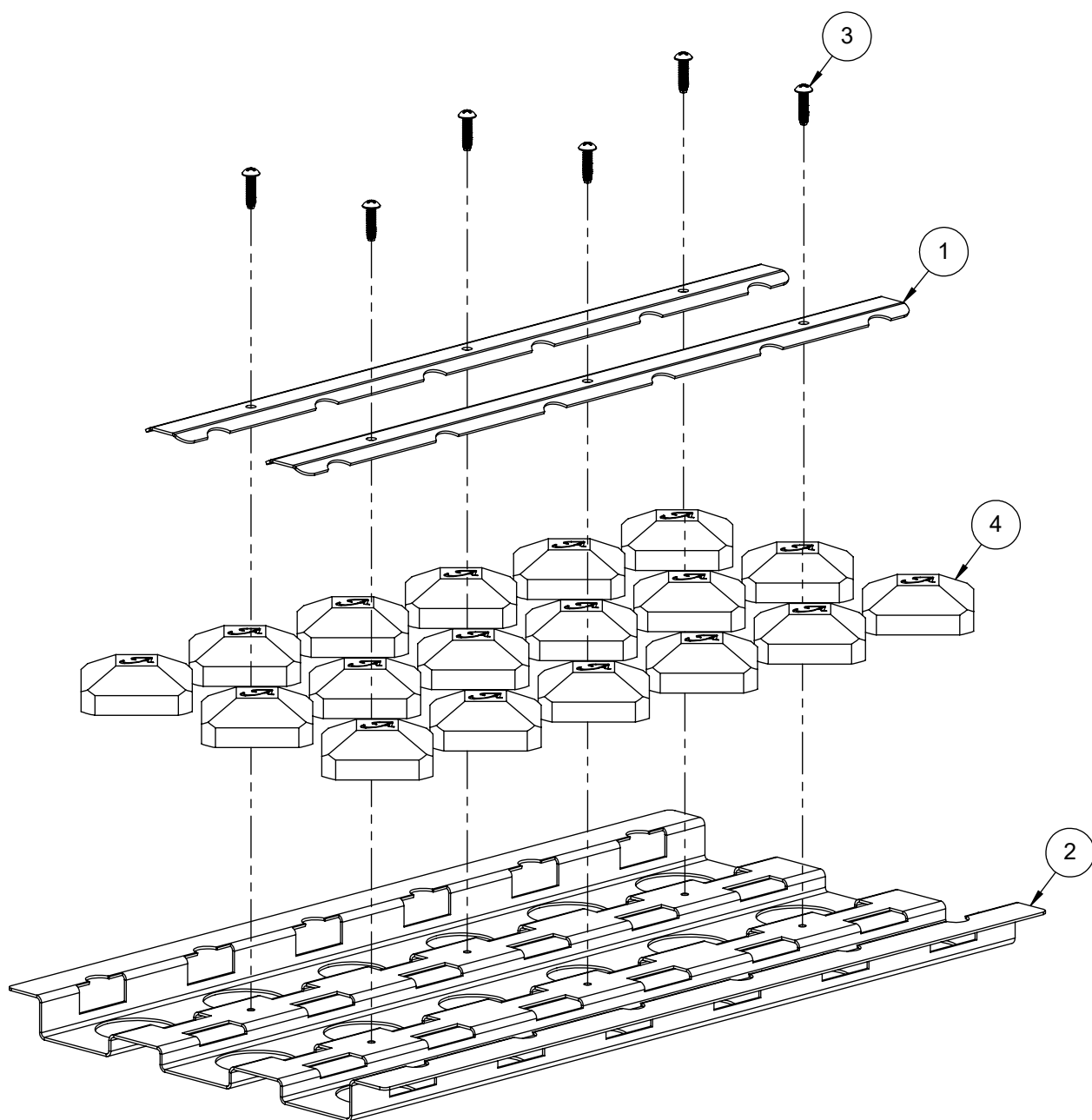
ITEM	PART NUMBER	DESCRIPTION	QTY
1	200-0087	WASHER - 1/4" SPRING LOCK- REGULAR - SS	4
2	200-0091	HH- HD - 1/4-20 x 1 x .75 THREAD	4
3	200-0092	1/4 X 1/8 X 5/8 FLAT WASHER - SPACER	2
4	210-0490	THERMOMETER ASSEMBLY	1
5	290-0063	HANDLE - END CAP ASSEMBLY	2
6	290-0326	26" BBQ - FRONT HOOD HANDLE BAR	1
7	290-0444	SPACER - 1/2" OD x 1/4" ID	2
8	290-0445	CLEVIS PIN - 1/4"Ø x 1-3/8	2
9	290-0448	COTTER PIN - HAIRPIN 1/4" ~ 3/8" Pin Ø x 1-1/4" L x 5/64" WIRE	2
10	290-0465	BUMPER 600°F 1/2" DIA x 5/32" HEAD	2
11	510-1200	FRONT HOOD - WELDED PARTS - W/BUMPER	1



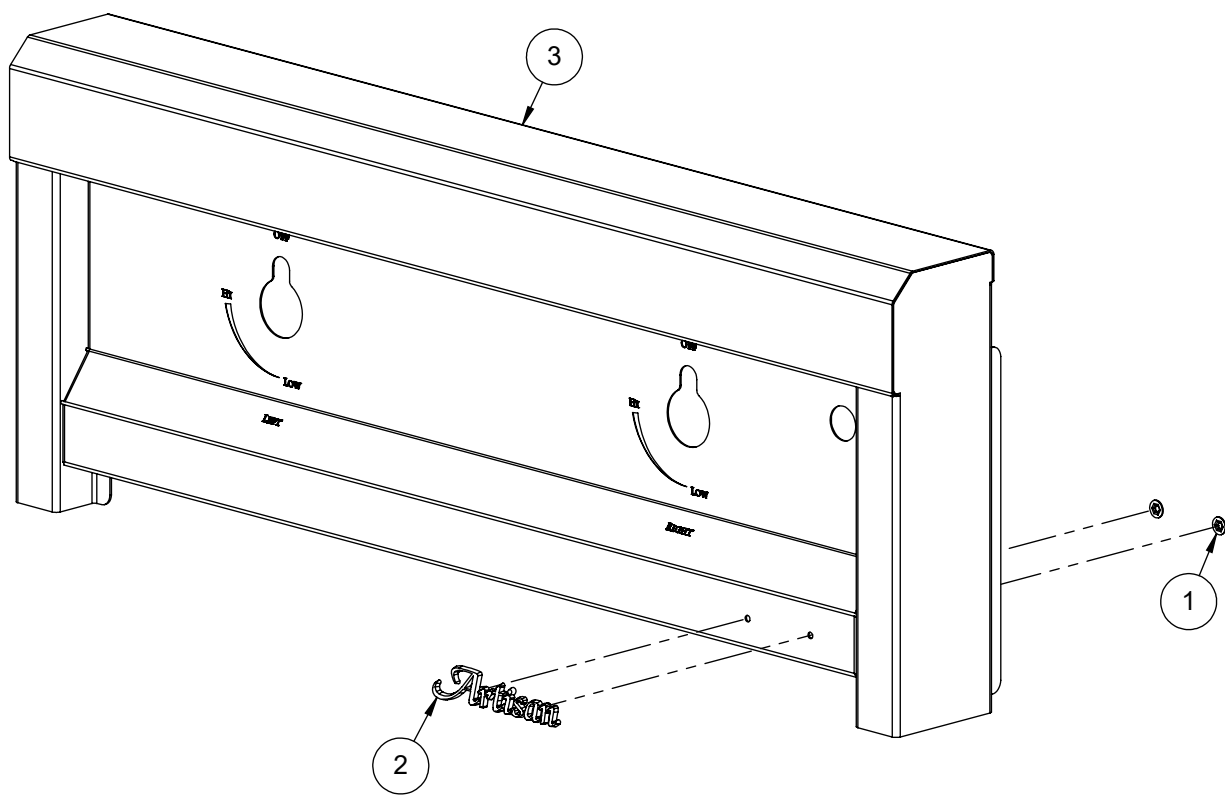
ITEM	PART NUMBER	DESCRIPTION	QTY
1	100-1895	BRIQUETTE LOCK BAR	3
2	100-2668	BRIQUETTE TRAY BASE - 13 1/2" WIDE	1
3	200-0314	SCREW 8-32 x 5/8", PAN HEAD, PHILLIPS THREAD CUTTER TYPE F	9
4	265-0005	CERAMIC BRIQUETTE W/ LOGO	24



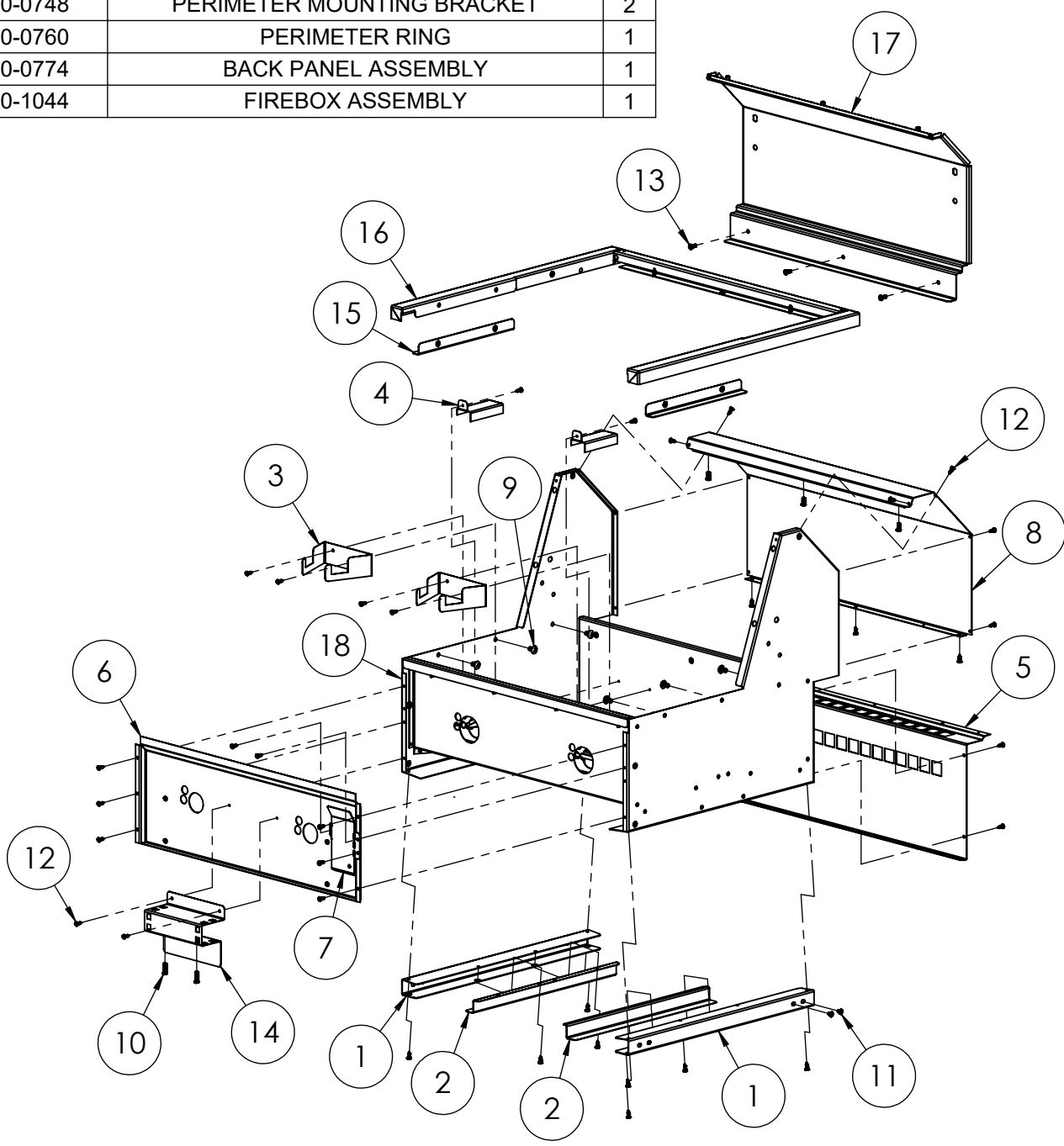
ITEM	PART NUMBER	DESCRIPTION	QTY
1	100-1895	BRIQUETTE LOCK BAR	2
2	100-2669	BRIQUETTE TRAY BASE - 9-5/8" WIDE	1
3	200-0314	SCREW 8-32 x 5/8", PAN HEAD, PHILLIPS THREAD CUTTER TYPE F	6
4	265-0005	CERAMIC BRIQUETTE W/ LOGO	18



ITEM	PART NUMBER	DESCRIPTION	QTY
1	200-0093	WASHER - PUSH LOCK 1/8" ID X 3/8" OD (LOGO)	2
2	290-0356	ARTISAN LOGO	1
3	510-1036	FRONT PANEL ASSEMBLY - WELDED PARTS	1



ITEM	PART NUMBER	DESCRIPTION	QTY
1	100-2024	FIREBOX TRAY SLIDE PART-A	2
2	100-2025	FIREBOX TRAY SLIDE PART-B	2
3	100-2373	BURNER BRACKET	2
4	100-2374	IGNITER COVER - STANDARD	2
5	100-2412	FIREBOX REAR COVER	1
6	100-2413	FIREWALL	1
7	100-2666	BUTTONS SHIELD - BRACKET	1
8	100-2702	BACK HOOD - REAR COVER	1
9	200-0057	SCREW 1/4-20 X 1/2 - TRUSS HEAD - PHILLIPS	6
10	200-0062	10-32 X 3/4 - PAN HEAD - PHILLIPS SCREW	2
11	200-0082	10-32 X 1/4 - PAN HEAD - PHILIPS SCREW	2
12	200-0111	SCREW 8-18 X 1/2 - SELF TAP - 410 SS	49
13	200-0267	10-32 X 1/2 - PAN HEAD - PHILLIPS SCREW	6
14	510-0567	IGNITER BRACKET	1
15	510-0748	PERIMETER MOUNTING BRACKET	2
16	510-0760	PERIMETER RING	1
17	510-0774	BACK PANEL ASSEMBLY	1
18	510-1044	FIREBOX ASSEMBLY	1

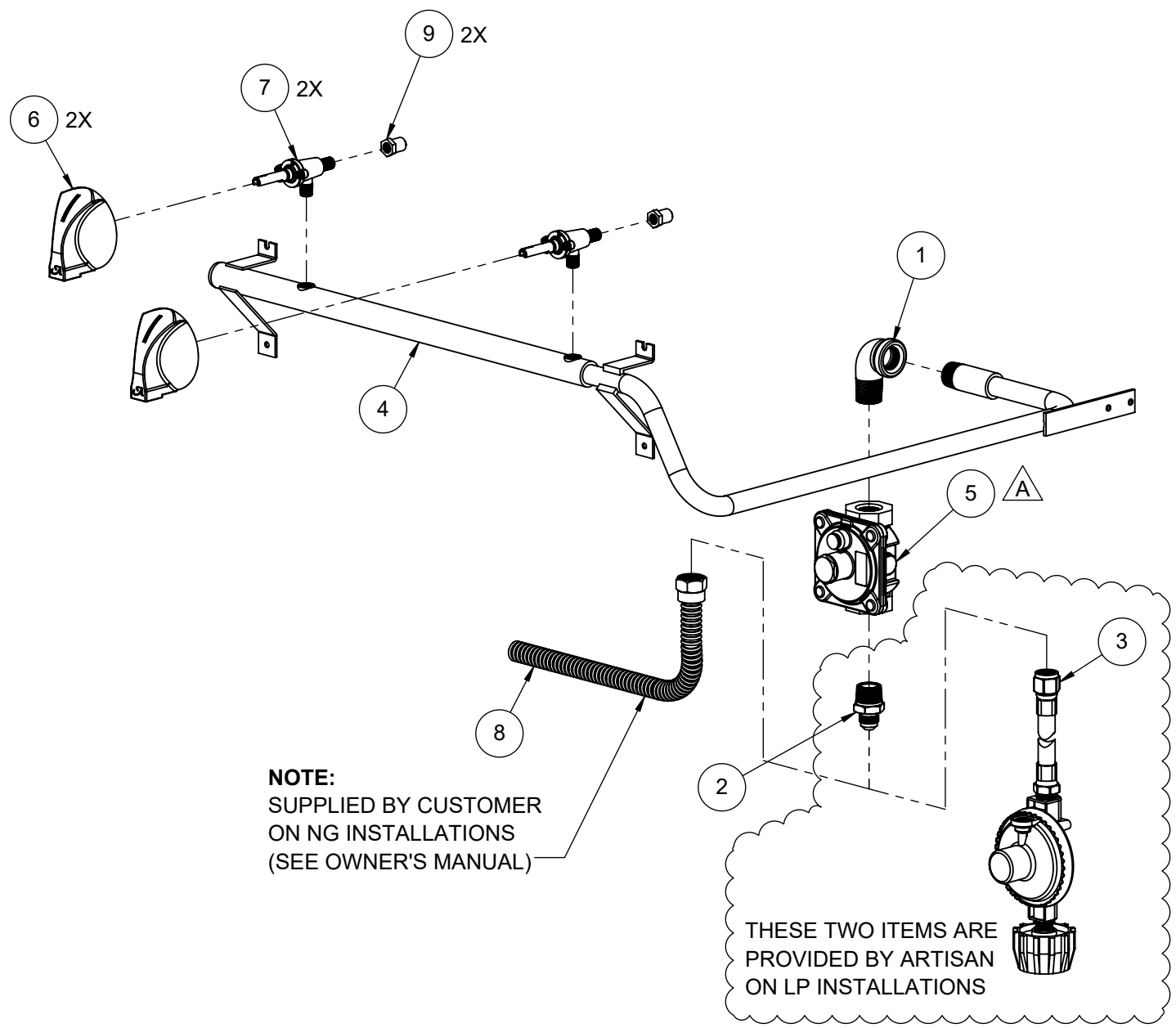


BILL OF MATERIAL

NO.	PART #	DESCRIPTION	QTY
1	200-0274	ELBOW, STREET, 1/2" NPT X 1/2" NPT-F, BLACK IRON	1
2	220-0275	NIPPLE, 1/2" NPT X 3/8" OD 45° FLARE, BRASS	1
3	220-0301	REGULATOR - SINGLE STAGE- LP GAS W/36" HOSE - GREEN	1
4	220-0433	GAS MANIFOLD ART2/AAE-26	1
5	220-0555	REGULATOR GAS - LOW TEMP - 4/10" W.C. CONV.	1
6	290-0030	GAS KNOB WITH "A" LOGO	2
7	290-0320	GAS VALVE - 1/8-27 MPT X 1/8-27 NPTS	2
8	SEE NOTE	1/2" ODF - FLEX SS GAS LINE (BY CUSTOMER)	1
9	SEE NOTE	ORIFICE - MAIN BURNER	2

NOTE: ORIFICE OR VALVE ASSEMBLY TO CHANGE ACCORDING TO FUEL TYPE: NATURAL GAS OR LIQUID PROPANE

ITEM	NG PART #	LP PART #
9	220-0645	220-0472



REVISIONS			
REV.	DESCRIPTION	DATE	BY
A	UPDATED TO LOW TEMP AND ASSOCIATED COMPONENTS	3/9/2026	AEC

Artisan
SUPERIOR EQUIPMENT SOLUTIONS
7039 EAST SLAUSON AVENUE
COMMERCE, CA. 90040

THE INFORMATION CONTAINED IN THIS DRAWING IS THE SOLE PROPERTY OF SUPERIOR EQUIPMENT SOLUTIONS INC. ANY REPRODUCTION IN PART OR AS A WHOLE WITHOUT WRITTEN PERMISSION FROM SUPERIOR EQUIPMENT SOLUTIONS, INC. IS PROHIBITED.

DRAWN BY: N SILCOCK
CREATED: 6/7/2018 3:08:35 PM

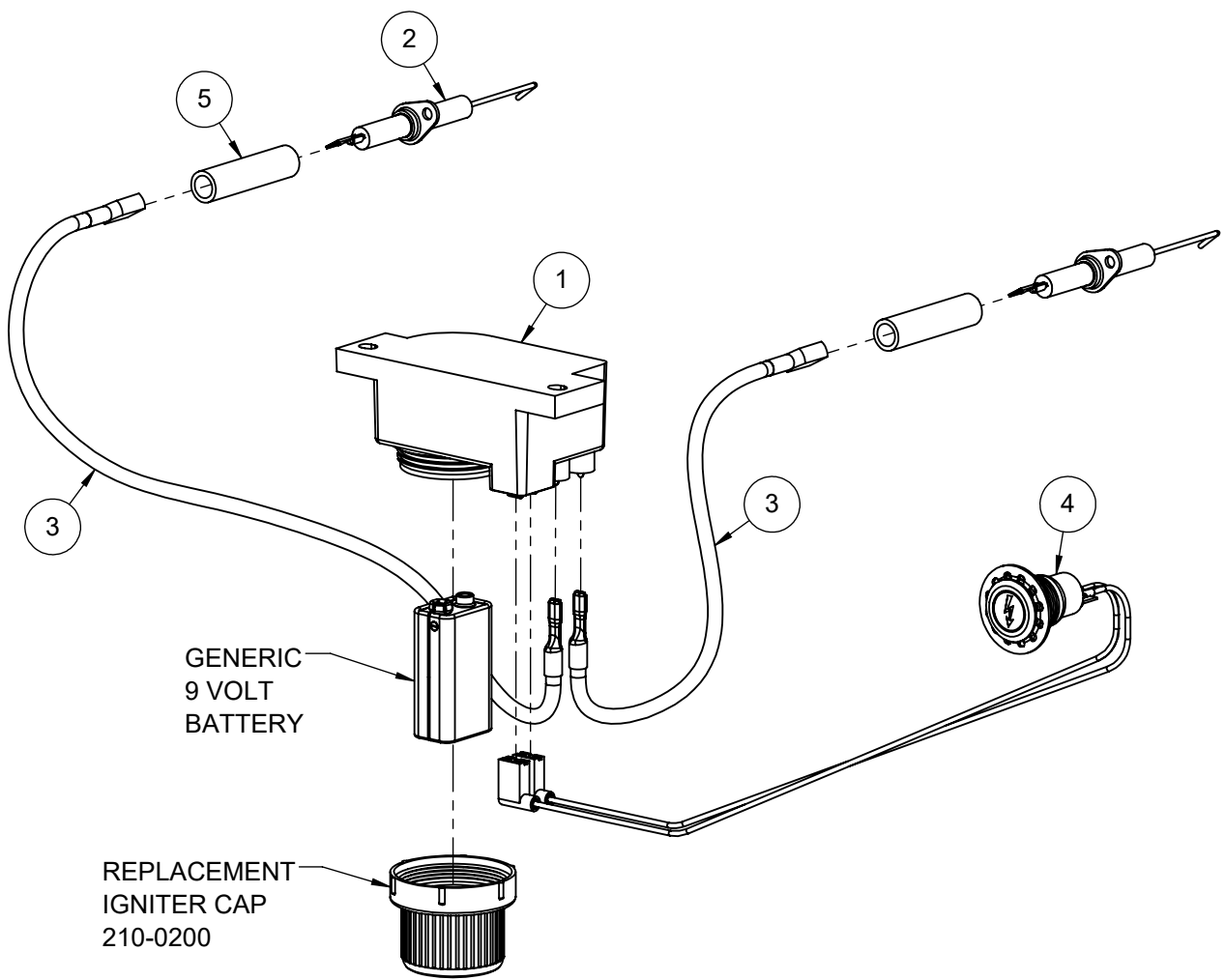
PROJECT TITLE:
AAE-26 & AAEP-26

DRAWING TITLE:
GAS MANIFOLD

DRAWING NO.:
510-0845M

SHEET 1 OF 1

ITEM	PART NUMBER	DESCRIPTION	QTY
1	210-0195	IGNITER MODULE - 2 POINTS (WITH CAP)	1
2	210-0491	U-BURNER ELECTRODE TIP	2
3	210-0540	IGNITER WIRE KIT	1
4	210-0586	SWITCH - IGNITION - MOMENTARY [ON]/OFF	1
5	SEE NOTE	INSULATION SLEEVE - SILICONE 7/16" OD x 5/16" ID x 1-3/4" L	2



NOTE:
 ITEM **(5)** IS INCLUDED IN IGNITER KIT 210-0540 (ITEMS ARE NOT SOLD SEPARATELY)

Artisan[™]
Professional Grills by Alfresco