

TM

# Alfresco<sup>TM</sup>

Open Air Culinary Systems

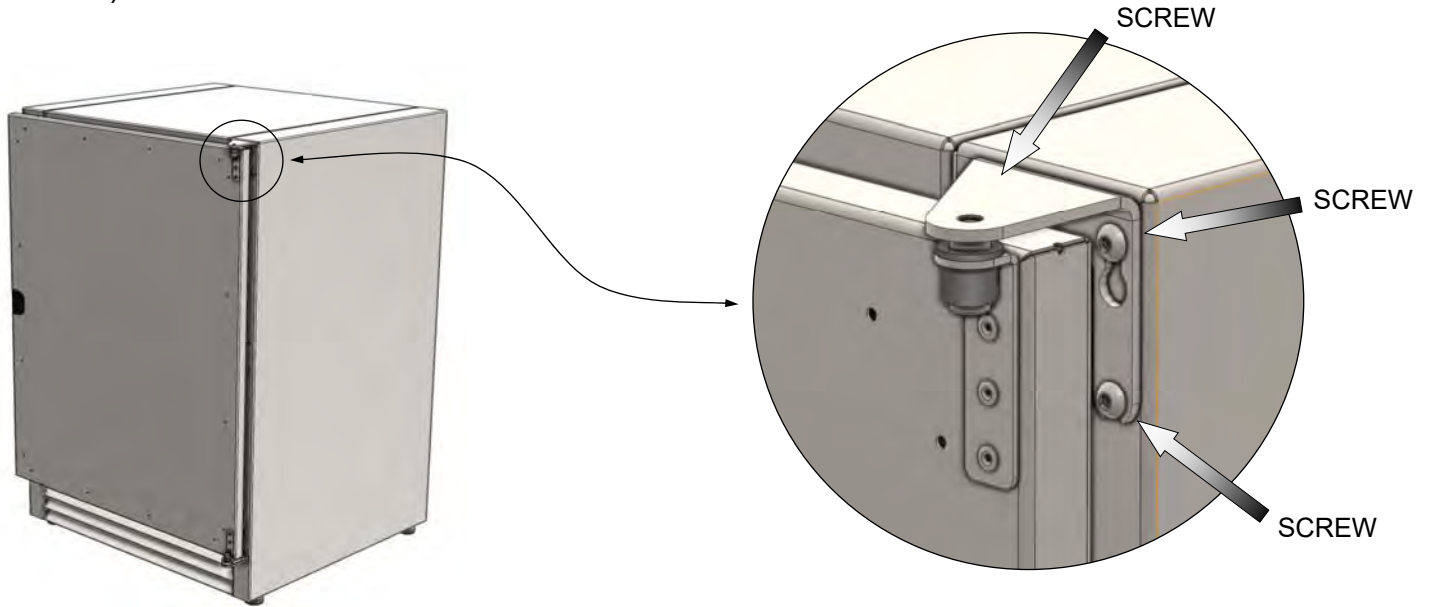


**AR REFRIGERATORS**  
**SOLID OVERLAY DOORS**

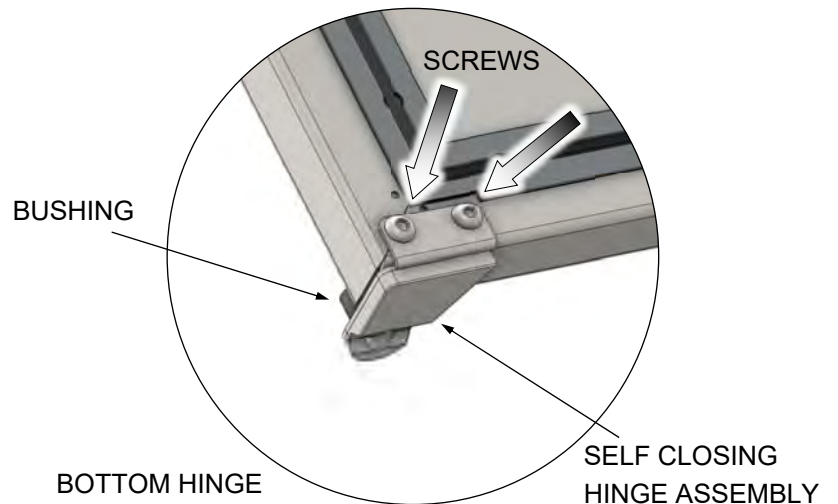
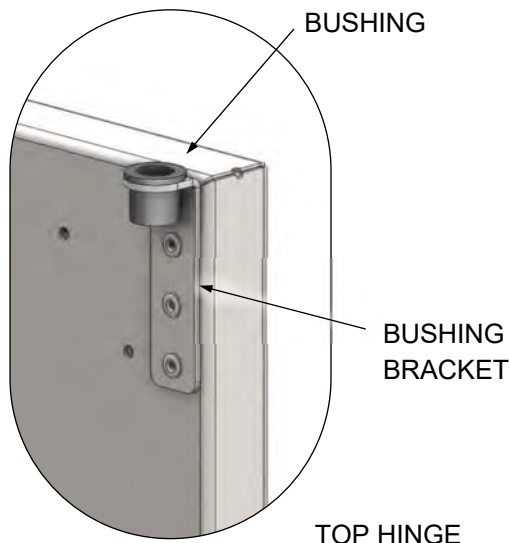
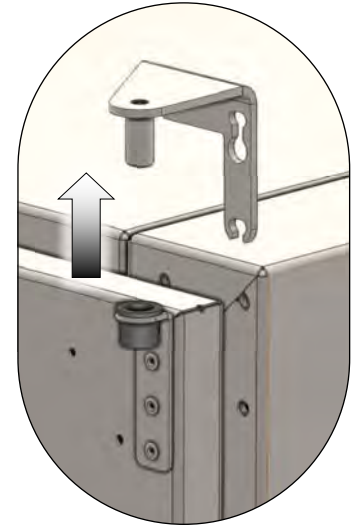
### DOOR REMOVAL:

1. Begin by removing the existing door from the unit.

This can be done by removing the (3) 10-32 screws from the top hinge (located either left or right of the unit).



2. Once the top hinge is removed, the entire door can be lifted out of the unit along with the top hinge.
3. The door is quite heavy, please use assistance if needed.
4. Remove the top hinge bushing (slides out) from the door's bushing support bracket.
5. Remove the self closing hinge assembly (2) 10-32 screws at the bottom of the door
6. Remove the bottom bushing from the door's support bracket.

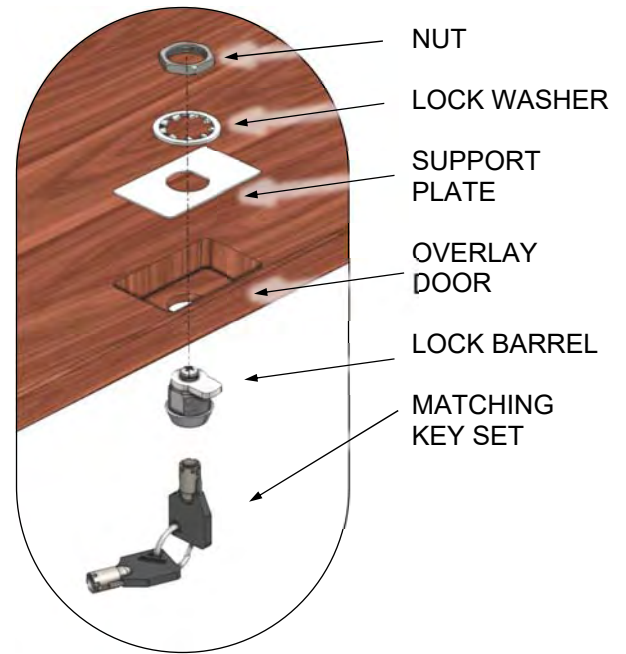


7. Remove the magnetic gasket from the door carefully pulling it out of the door plastic gasket track.



8. Install the overlay door lock mechanism 510-1624 on the face of the overlay door. (If the door does not have a lock system, skip this step). Use the proper template for the lock location:

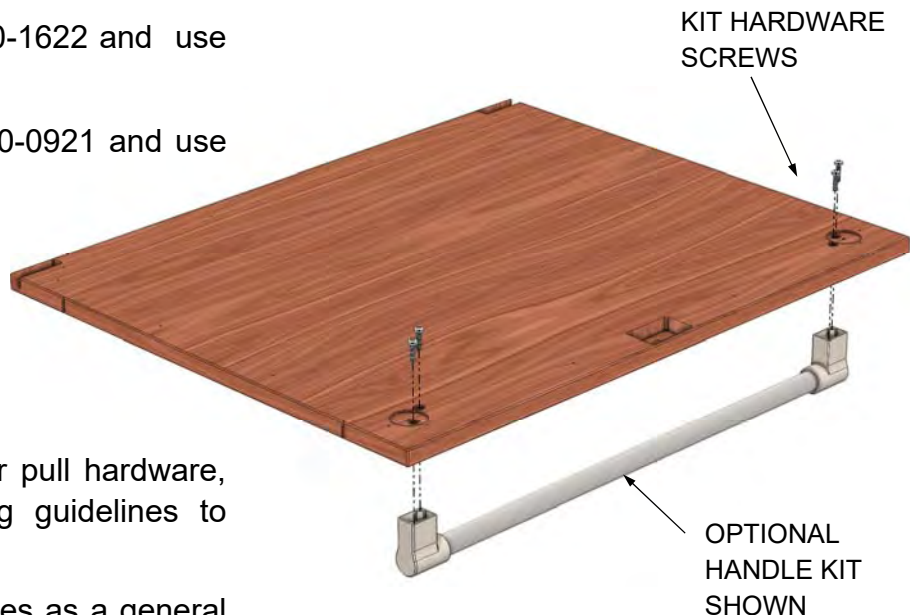
- Template 100-3807 for AR-24 units or
- Template 100-3822 for AR-28 units.



9. Install the door handles onto the face of the overlay door material.

If you are using the OPTIONAL Alfresco Overlay handle kit, use the proper pattern for the handle mounting location

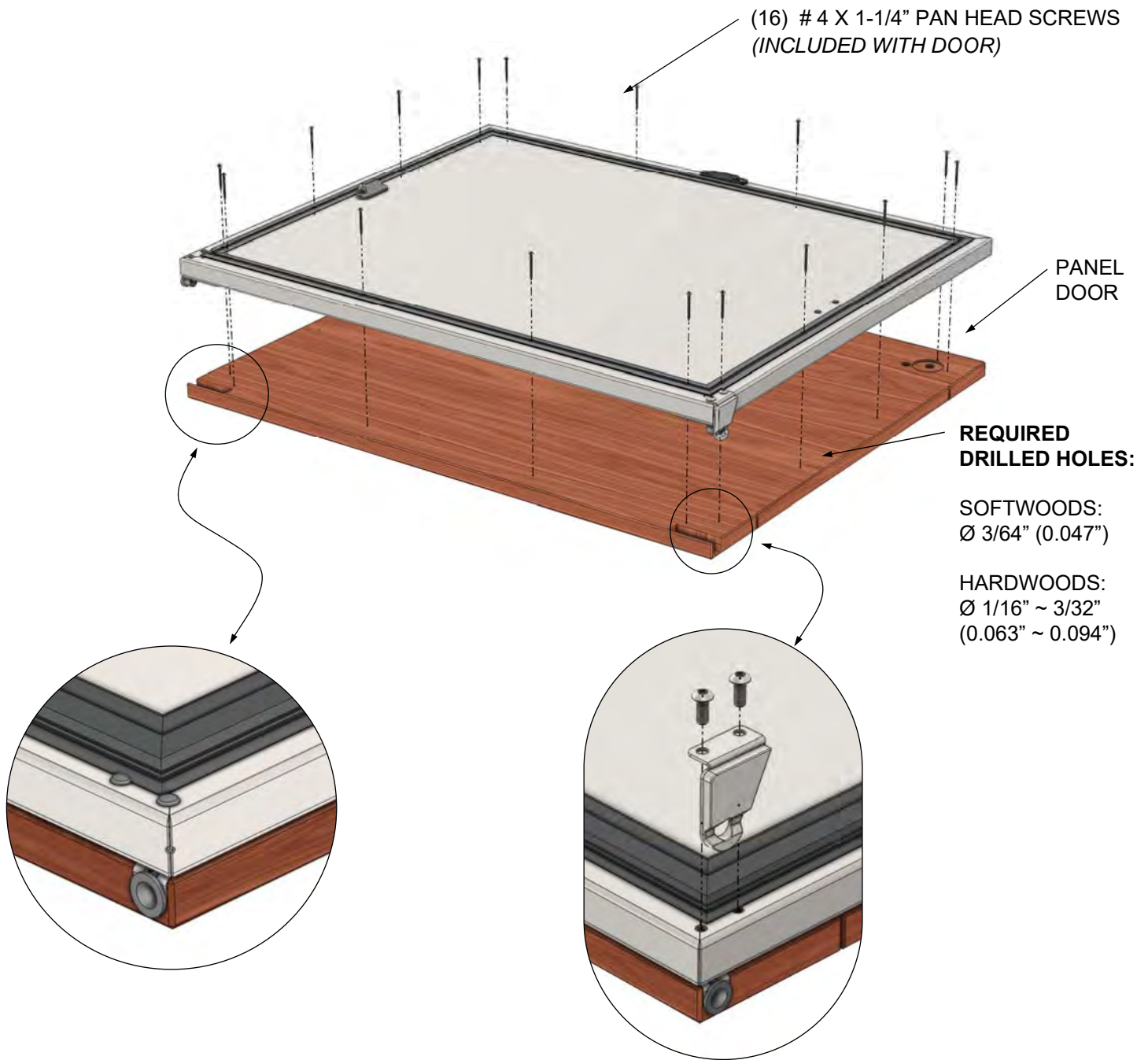
- AR-24 units use handle kit 510-1622 and use Template 100-3807
- AR-28 units use handle kit 510-0921 and use Template 100-3822



If you are using your own handle or pull hardware, install it according to your existing guidelines to match other cabinets.

Follow the above mentioned templates as a general guide to drill the necessary holes for the specific hardware you will be using.

10. Turn over the stainless door so the inside face is on the top.
11. Install the stainless door by centering it over the overlay door from all sides.
12. Press firmly into place (with clamping tools if required) and fasten the stainless door onto the overlay with the provided (16) # 4 x 1-1/4" screws.



13. Install the top bushing into the overlay and into now concealed bushing bracket. (push in)
14. Install the bottom bushing into the overlay. (push in)
15. Reinstall the self locking hinge assembly (2 screws)

#### **INSTALLATION:**

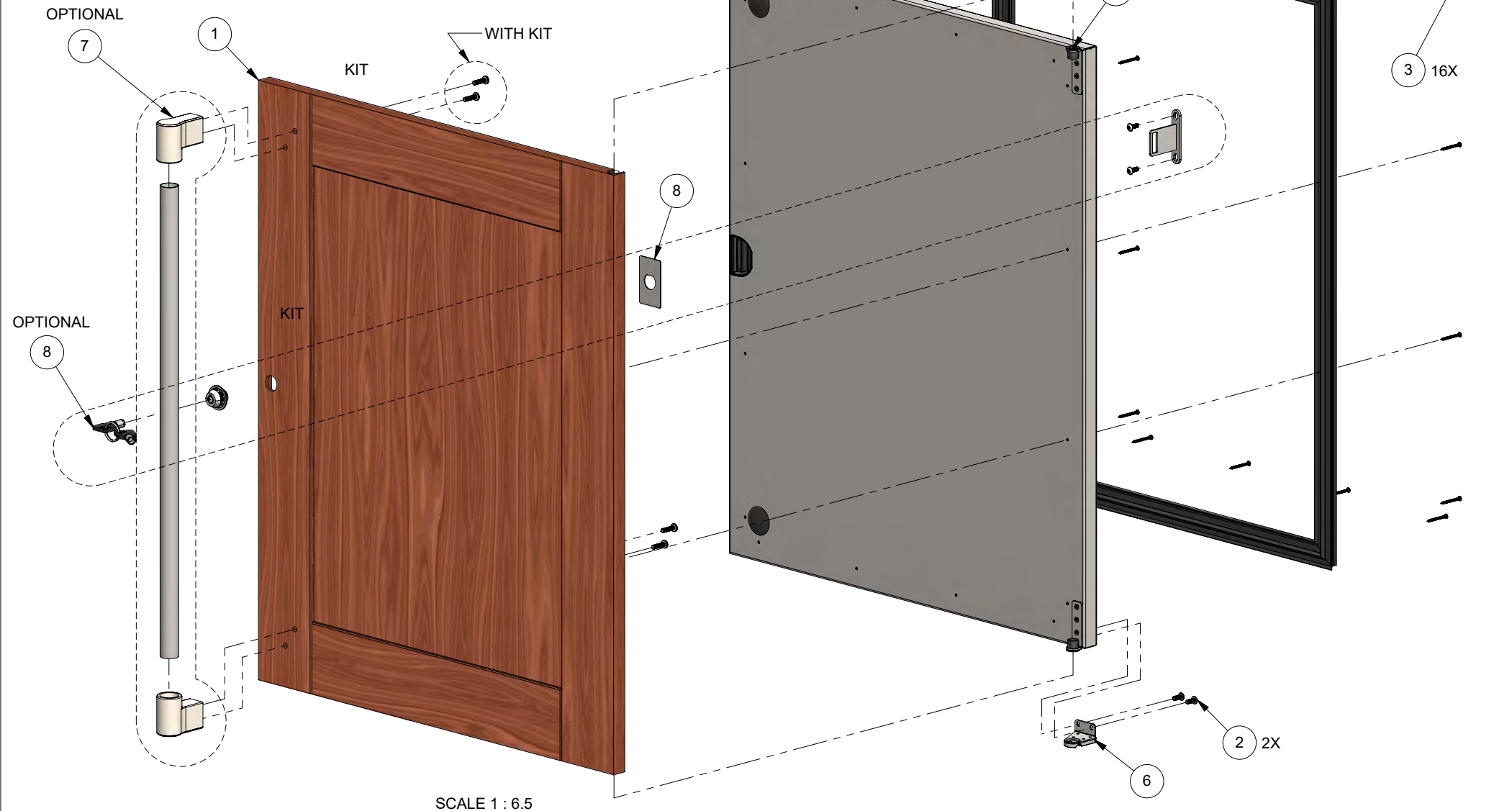
16. Finish by re-installing the magnetic gasket and re-installing the door on the AR refrigerator as shown in reverse of the steps 1,2 and 7. Verify the door alignment and adjust as necessary using the hinge screws at the top and bottom.



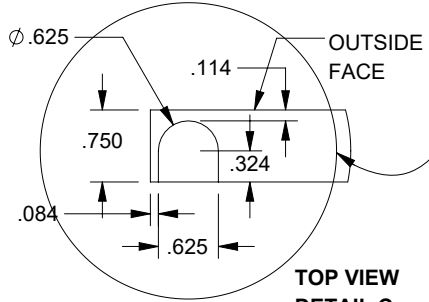


**BILL OF MATERIAL**

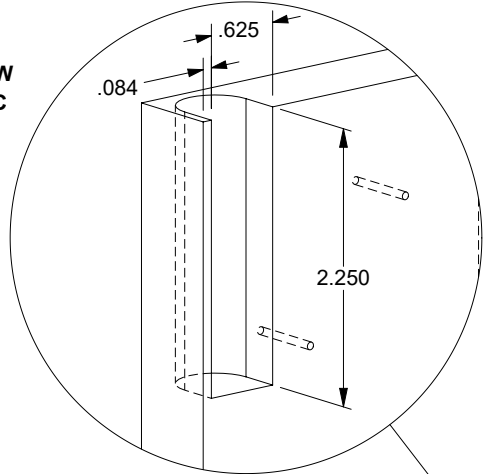
NO.	PART #	DESCRIPTION	QTY
1	100-3807	AR-24 SAMPLE WOOD PANEL - BY CUSTOMER	1
2	200-0497	SCREW 10-32 X 1/2" - 1/8" HEX SOCKET - BUTTON HEAD	2
3	200-0501	SCREW # 4 x 1-1/4" - PAN HEAD # 1 PHILIPS - 18-8 SS	16
4	290-0569	AR-24 MAGNETIC GASKET	1
5	290-0644	FLANGED BUSHING - MDS-NYLON 6 - 3/8"Øx1/2"x5/8"x1/16"	2
6	510-1581	BOTTOM HINGE- DOOR ASSEMBLY - RIGHT SIDE	1
7	510-1622	AR-24 OVERLAY HANDLE KIT	1
8	510-1624	AR-24 & AR-28 OVERLAY DOOR LOCK KIT	1
9	510-1625	AR-24 OVERLAY FOAMED DOOR ASSEMBLY	1



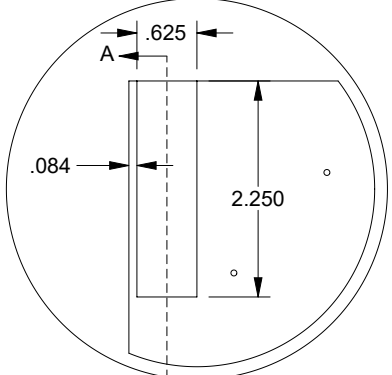
SCALE 1 : 6.5



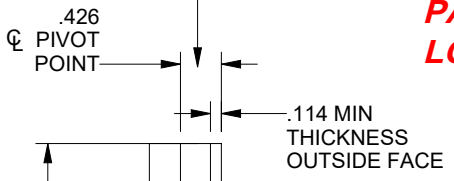
**TOP VIEW  
DETAIL C  
HINGE**



**DETAIL C  
SCALE 1 : 1.5  
HINGE**



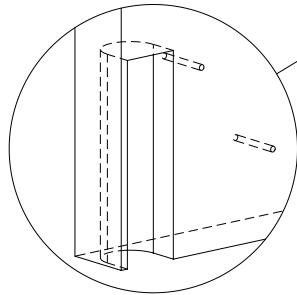
**BACK VIEW  
DETAIL C  
HINGE**



**PROFILE VIEW  
DETAIL C  
HINGE**

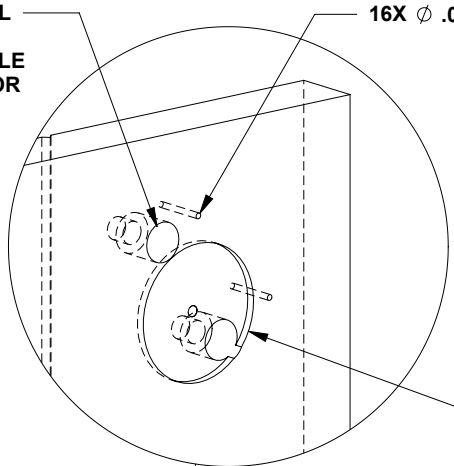
**SECTION A-A  
SCALE 1 : 2**

**NOTE: SEE PAGE 2 OF 2 FOR  
PANEL SIZING AND HOLE  
LOCATIONS**



**DETAIL D  
MIRROR OF  
OPPOSITE  
SIDE ON  
DETAIL C  
SCALE 1 : 2**

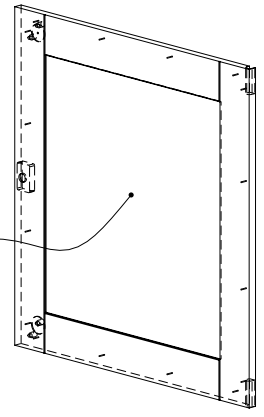
**4X Ø .250 THRU ALL  
SUGGESTED HANDLE  
SCREWS HOLES FOR  
AR-24 HANDLE KIT  
510-1622**



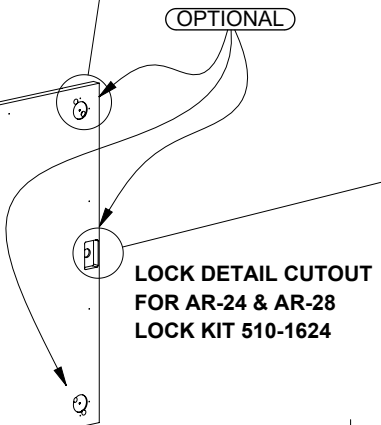
**DETAIL A  
SCALE 1 : 2  
HANDLE**

**PANEL OR SOLID  
DOOR FINISH**

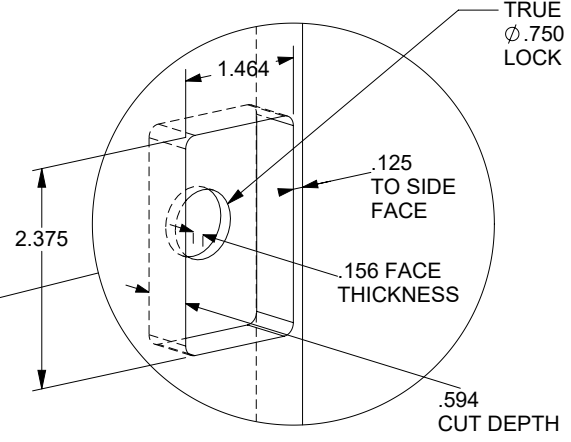
**2X □ Ø 1.500 .094  
FOAMING HOLE CAP  
CLEARANCE**



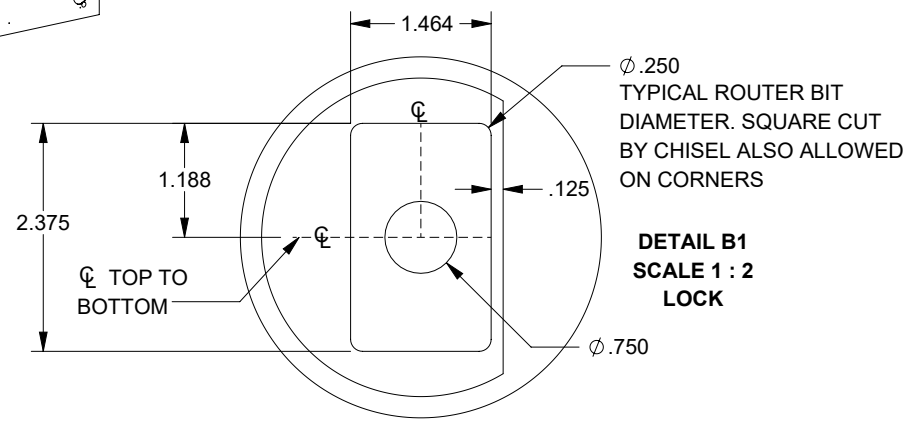
**SCALE 1 : 16**



**LOCK DETAIL CUTOUT  
FOR AR-24 & AR-28  
LOCK KIT 510-1624**

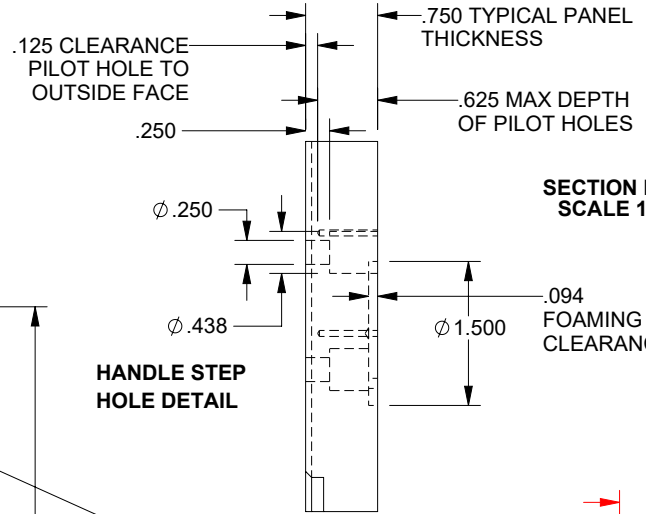
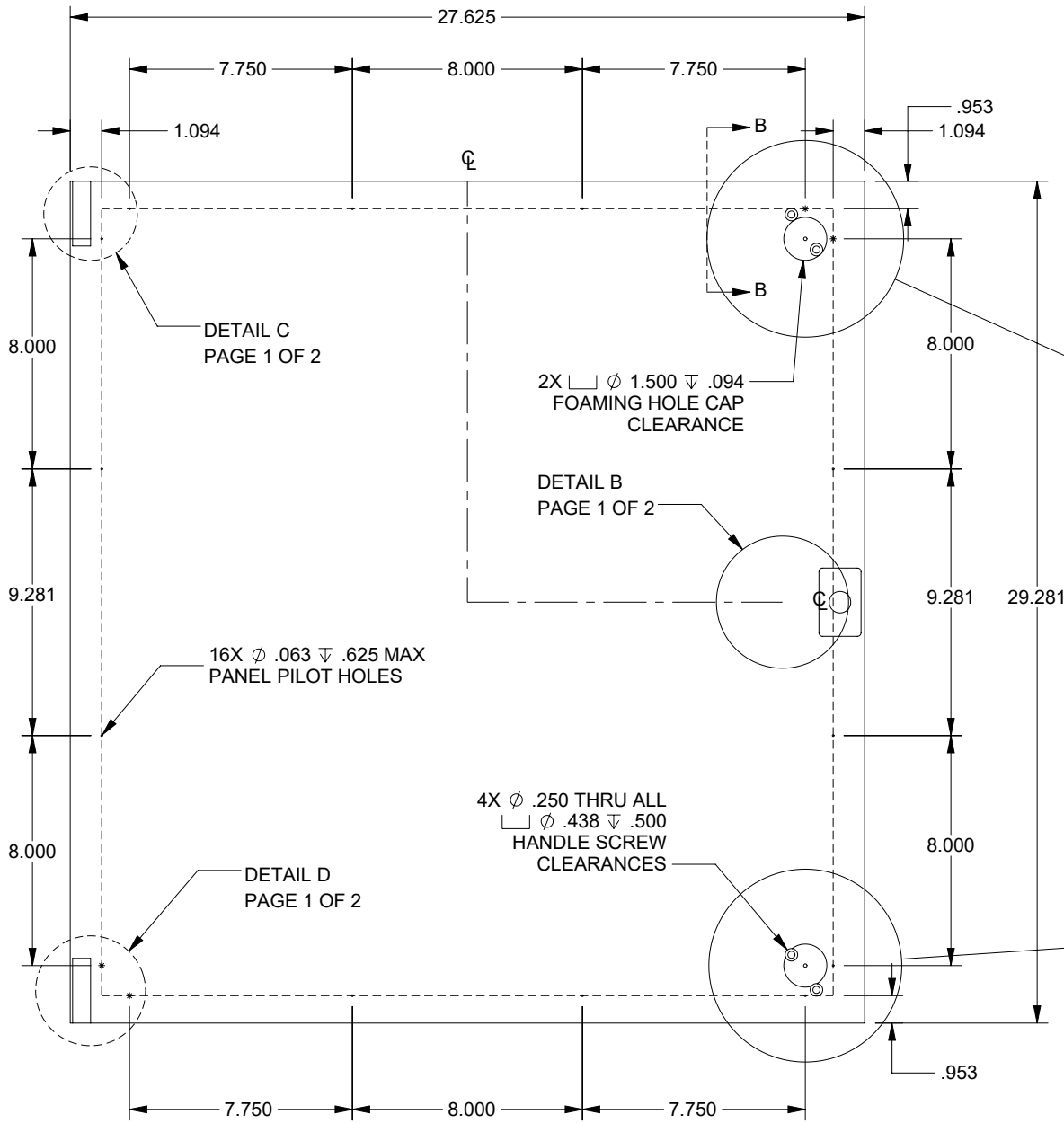


**DETAIL B  
SCALE 1 : 2  
OPTIONAL LOCK**

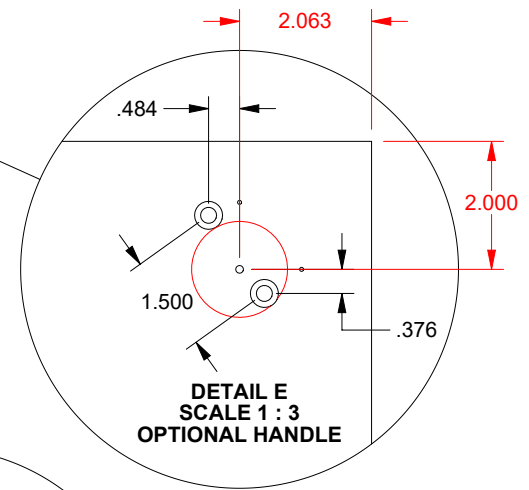


**DETAIL B1  
SCALE 1 : 2  
LOCK**

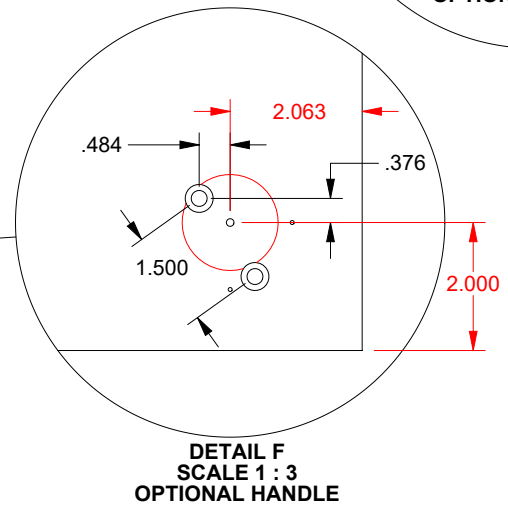
# SOLID PANEL BACK VIEW



**NOTE:**  
FOR POCKET OR STEP TYPE HOLES WITH FLAT BOTTOMS YOU MUST ONLY USE FORSTNER TYPE BITS

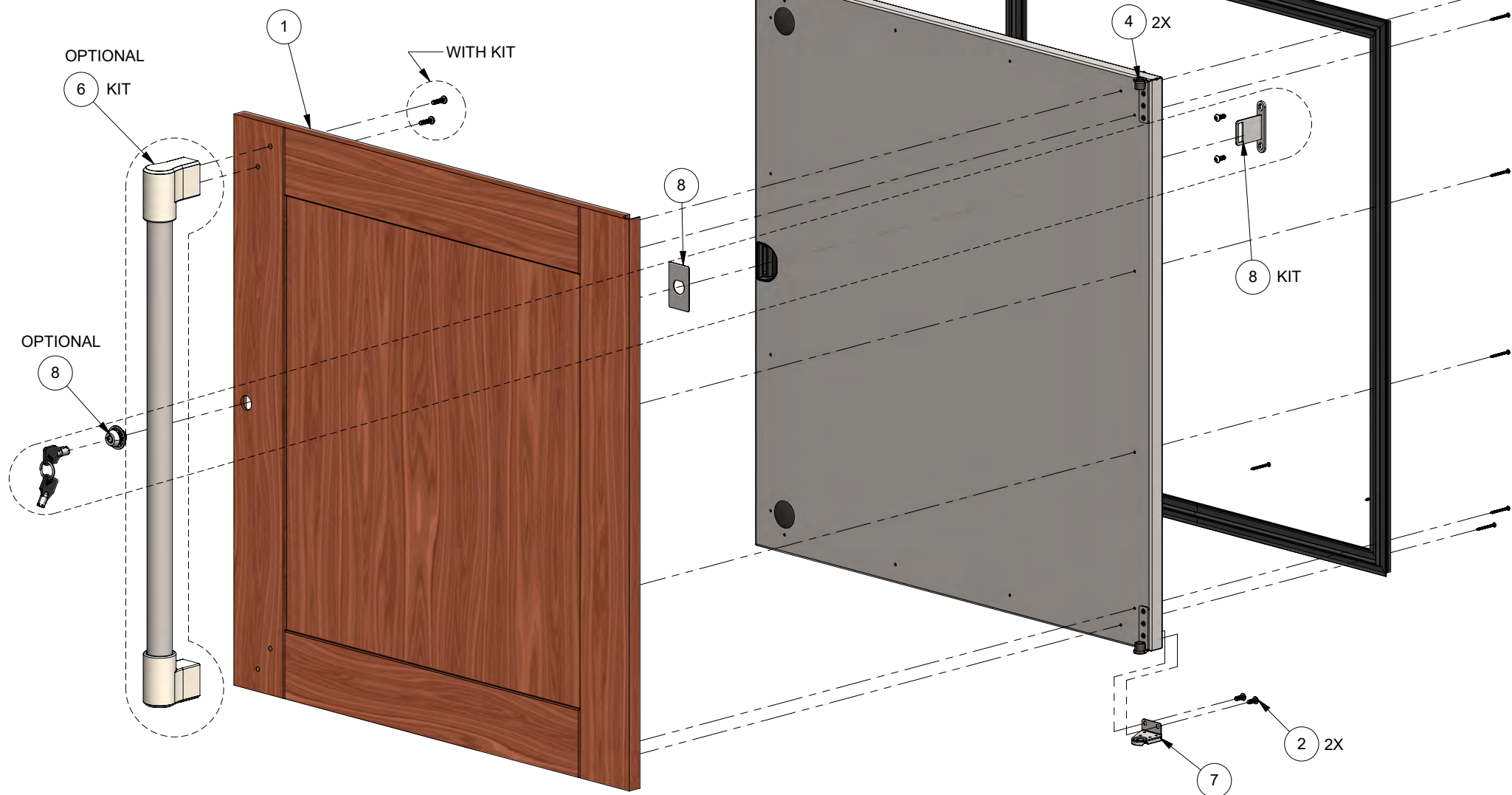


**NOTE:** HANDLE SCREW LOCATIONS ARE ONLY APPLICABLE TO AR-28 HANDLE KIT 510-0921



**BILL OF MATERIAL**

NO.	PART #	DESCRIPTION	QTY
1	100-3822	AR-28 SAMPLE WOOD PANEL - BY CUSTOMER	1
2	200-0497	SCREW 10-32 X 1/2" - 1/8" HEX SOCKET - BUTTON HEAD	2
3	200-0501	SCREW # 4 x 1-1/4" - PAN HEAD # 1 PHILIPS - 18-8 SS	16
4	290-0644	FLANGED BUSHING - MDS-NYLON 6 - 3/8"Øx1/2"x5/8"x1/16"	2
5	290-0729	GASKET, DOOR, MAGNETIC, AR-28	1
6	510-0921	AR-28 / BBQ / RANGE HANDLE	1
7	510-1581	BOTTOM HINGE- DOOR ASSEMBLY - RIGHT SIDE	1
8	510-1624	AR-24 & AR-28 OVERLAY DOOR LOCK KIT	1
9	510-1626	AR-28 OVERLAY FOAMED DOOR ASSEMBLY	1



SCALE 1 : 7