

42" LUXURY GRILL

ALFRESCOGRILLS.COM

42" LUXURY GRILL FEATURES

Three 18-SR stainless steel high-performance Accufire™ main burners

Integrated Mega-Drive™ rotisserie system with dual infrared burners

Signature Taste™ integrated smoking system with dedicated burner and drawer for wood chunks

770 sq. in. actual grilling area

3-position warming rack stores up out of the way when rotissing

Dual integrated high-intensity halogen work lights

User-friendly push-button ignition with sealed 110v AC power source

Optional standard cart, refrigerated base, infrared Sear Zone™

Available in LP or Natural Gas



Built-in Model



Standard Cart



Refrigerated Cart



Insulated Jacket

AVAILABLE MODELS

Built-in Models:

ALXE-42 – 42" Built-in Grill, 3 Burner, Rotis, Smoker

ALXE-42SZ – 42" Built-in Grill, 2 Burner, Rotis, Smoker, SearZone™

Cart Models:

ALXE-42C – 42" Cart Grill, 3 Burner, Rotis, Smoker, Double Door Cart

ALXE-42CD – 42" Cart Grill, 3 Burner, Rotis, Smoker, Deluxe Cart with 1 Door and 2 Drawers

ALXE-42SZC – 42" Cart Grill, 2 Burner, Rotis, Smoker, Sear Zone™ Double Door Cart

ALXE-42SZCD – 42" Cart Grill, 2 Burner, Rotis, Smoker, Sear Zone™ Deluxe Cart with 1 Door and 2 Drawers

ALXE-42R – 42" Refrigerated Cart Grill, 3 Burner, Rotis, Smoker, 1 Door and 2 Drawers are Refrigerated

ALXE-42SZR – 42" Refrigerated Cart Grill, 2 Burner, Rotis, Smoker, SearZone™, 1 Door and 2 Drawers are Refrigerated

GRILL ACCESSORIES - ALFRESCO OFFERS THE INDUSTRY'S LARGEST SELECTION OF GRILL-TRANSFORMING OPTIONS



STEAMER /FRYER / PASTA COOKER
Drops into any Alfresco grill to blanch, steam, fry, or boil. Model: AG-SF



SOLID FUEL INSERT
Transform your Alfresco gas grill into a wood-source cooking system. Model: SFI-POD



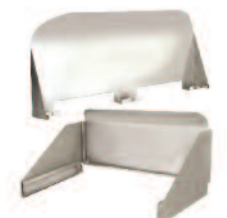
INDIRECT ROASTING POD
Turn your grill into an amazing roasting oven with the indirect roasting pod. AIC-POD



COMMERCIAL GRIDDLE
For teppanyaki, fajitas, and breakfast. Side Burner Model: AGSB-G, Grill Model: AGSQ-G



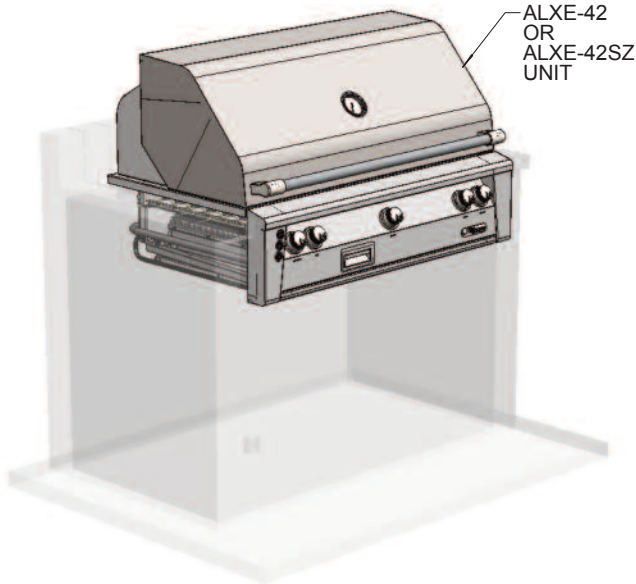
DUAL SIDE BURNER
Features two burners each rated for 20,000 BTUs, and easily attaches to any Alfresco cart model grill for added cooking versatility. AXESB-2C (Cart)



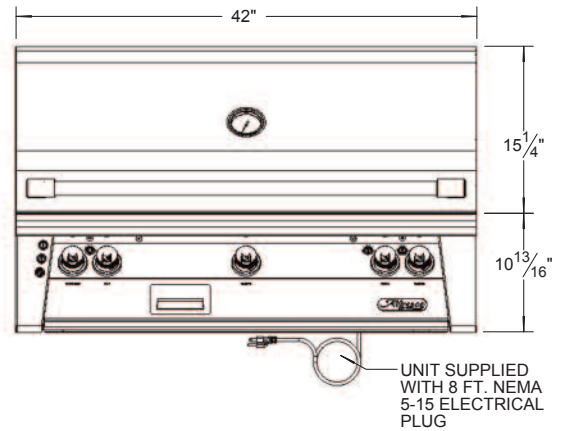
WIND GUARDS
For windy exposed environments that may affect cooking performance and consistency. AWS-56 (Built-in), AWS-56C (Cart)



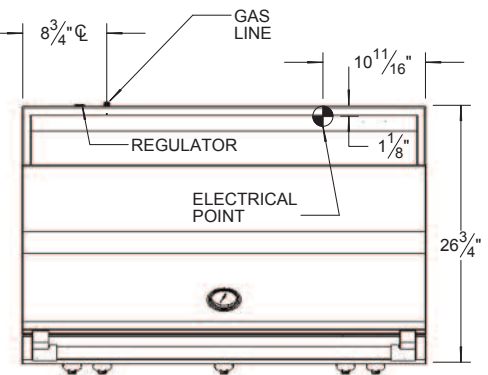
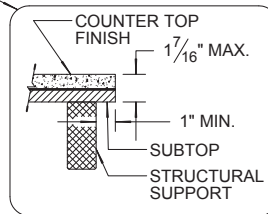
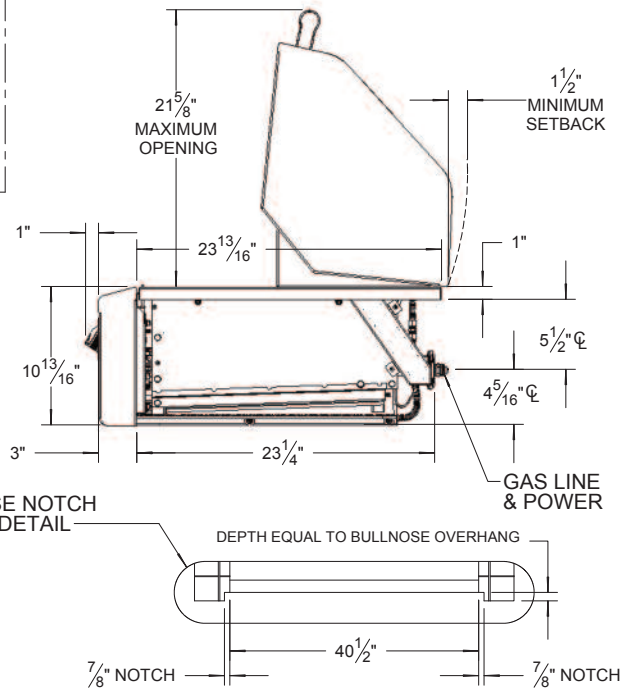
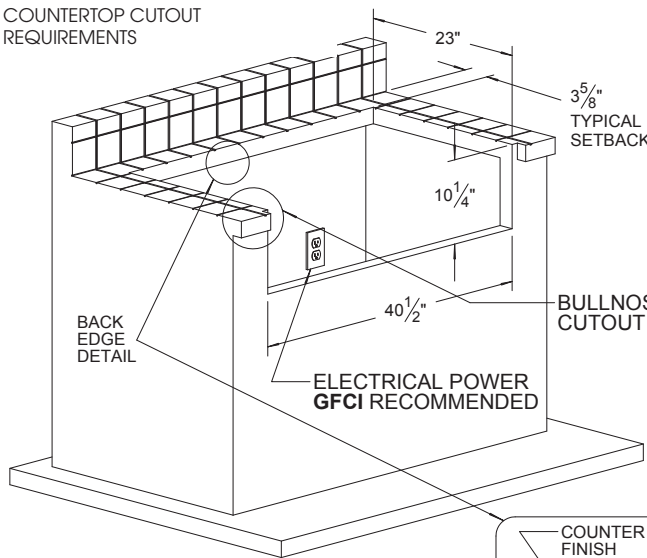
GRILL COVERS
Available in standard high-density canvas or premium PVC leather with felt lining and -25°C cold resistance, Alfresco grill covers provide year-round protection for built-in and cart grills.



TYPICAL ALXE-42 / 42SZ INSTALLATION



COUNTERTOP CUTOUT REQUIREMENTS



NOTE:

- Cutout shown for non-combustible construction only. Otherwise, use of AU-56 is required.
- Counter must have proper gas and power supplies for your Alfresco BBQ.

SPECIFICATIONS:

- BTUH = 148,000
- Fuel = NG @ 5" W.C. or LP @ 10" W.C.
- Electrical Power = 115 VAC / 1.44 A / 60Hz.
- Gas Connection = 1/2" NPT (NG) or 3/8" ODF (LP)

Project/Client:

Date:

Alfresco Authorized Dealer:

Contact: