

36" LUXURY GRILL FEATURES

- Three 18-SR stainless steel high-performance Accufire™ main burners
- Integrated Mega-Drive™ rotisserie system with dual infrared burners
- Signature Taste™ integrated smoking system with dedicated burner and drawer for wood chunks
- 660 sq. in. actual grilling area
- 3-position warming rack stores up and out of the way when rotissing
- Dual integrated high-intensity halogen work lights
- User-friendly push-button ignition with sealed 110V AC power source
- Optional infrared Sear Zone™
- Optional standard cart
- Available in LP or Natural Gas



Built-in Model



Grill Accessory Grate. XE-36AG



Standard Cart



Insulated Jacket

AVAILABLE MODELS

Built-in Models:

- ALXE-36 – 36" Built-in Grill, 3 Burner, Rotis, Smoker
- ALXE-36SZ – 36" Built-in Grill, 2 Burner, Rotis, Smoker, SearZone™

Cart Models:

- ALXE-36C – 36" Cart Grill, 3 Burner, Rotis, Smoker, Double Doors
- ALXE-36SZC – 36" Cart Grill, 2 Burner, Rotis, Smoker, SearZone™, Double Doors

GRILL ACCESSORIES - ALFRESCO OFFERS THE INDUSTRY'S LARGEST SELECTION OF GRILL-TRANSFORMING OPTIONS



STEAMER /FRYER / PASTA COOKER
Drops into any Alfresco grill to blanch, steam, fry, or boil. Model: AG-SF



SOLID FUEL INSERT
Transform your Alfresco gas grill into a wood-source cooking system. Model: SFI-POD



INDIRECT ROASTING POD
Turn your grill into an amazing roasting oven with the indirect roasting pod. Model: AIC-POD



COMMERCIAL GRIDDLE
For teppanyaki, fajitas, and breakfast. Side Burner Model: AGSB-G, Grill Model: AGSQ-G



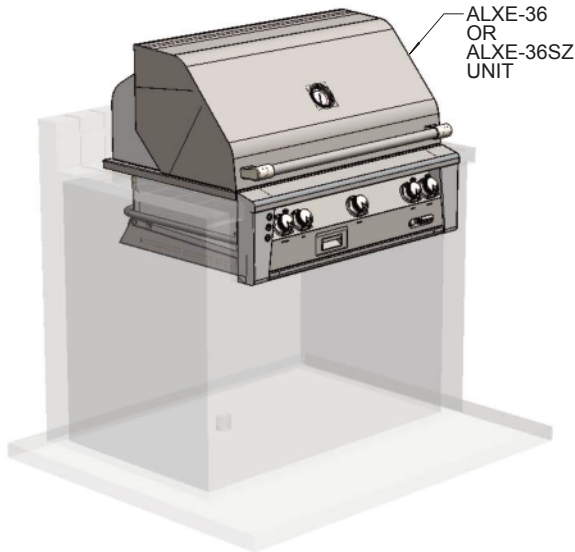
DUAL SIDE BURNER
Features two burners each rated for 20,000 BTUs, and easily attaches to any Alfresco cart model grill for added cooking versatility. Model: AXESB-2C (Cart)



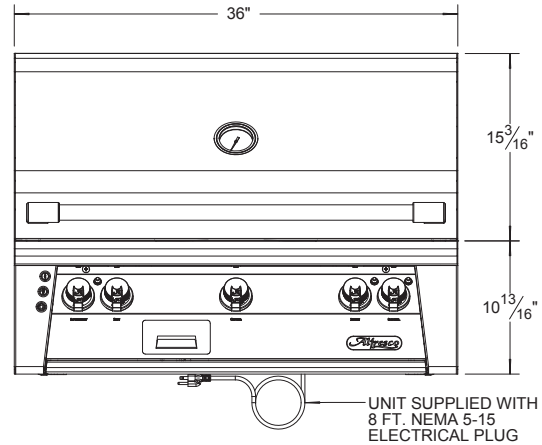
WIND GUARDS
For windy exposed environments that may affect cooking performance and consistency. Models: AWS-56 (Built-in), AWS-56C (Cart)



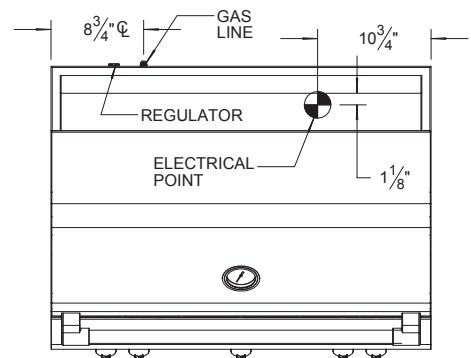
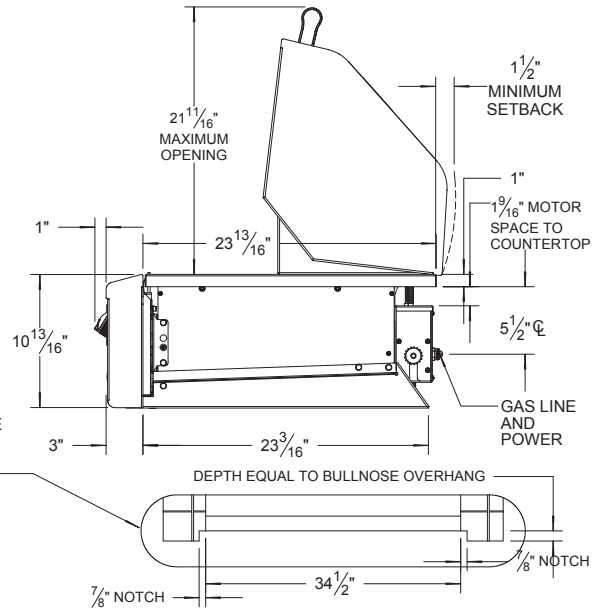
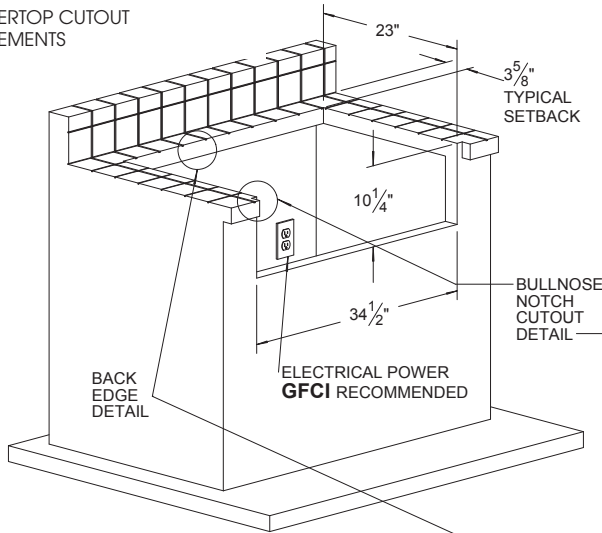
GRILL COVERS
Available in standard high-density canvas or premium PVC leather with felt lining and -25°C cold resistance, Alfresco grill covers provide year-round protection for built-in and cart grills.



TYPICAL ALXE-36 / 36 SZ INSTALLATION



COUNTERTOP CUTOUT
REQUIREMENTS

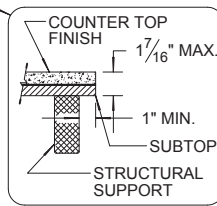


NOTE:

- Cutout shown for non-combustible construction only. Otherwise, use of AU-36 is required.
- Counter must have proper gas and power supplies for your Alfresco BBQ.

SPECIFICATIONS:

- BTUH = 148,000
- Fuel = NG @ 5"W.C. or LP @ 10"W.C.
- Electrical Power = 115 VAC / 1.44 A / 60Hz.
- Gas Connection = 1/2" NPT (NG) or 3/8" ODF (LP)



Alfresco Authorized Dealer:

Project/Client:

Date:

Contact: