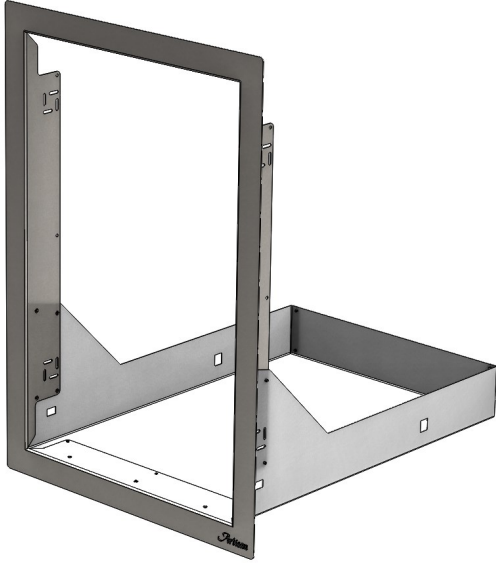


# Artisan™

Open Air Culinary Systems

## ARTP-TC2-20SC

### PARTS LIST



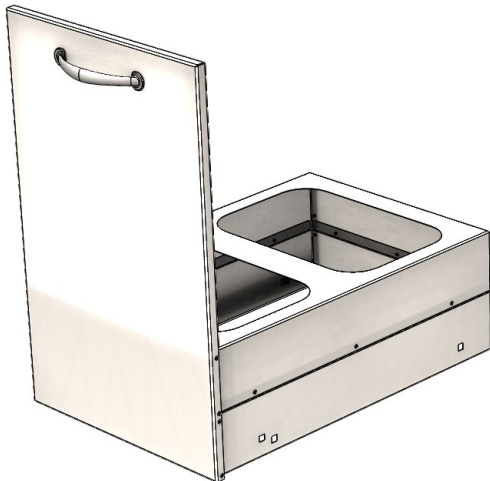
BODY 510-1322



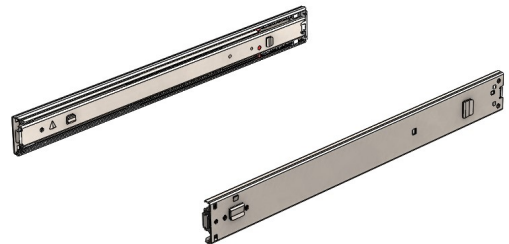
TRASH CENTER DRAWER  
ASSEMBLY



HANDLE 290-0073  
(MOUNTING HARDWARE  
INCLUDED)



DRAWER  
510-1323



DRAWER SLIDES  
(PAIR) 290-0462