

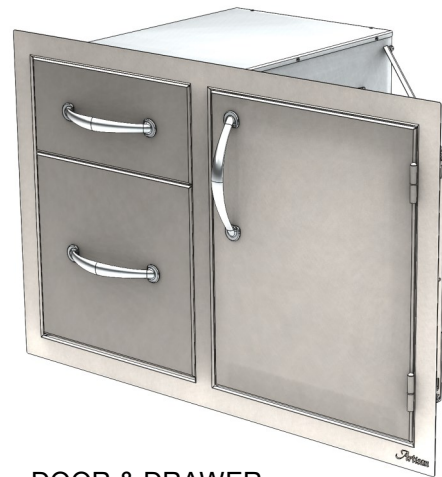
Artisan™

Open Air Culinary Systems

ARTP-DDC-36SC PARTS LIST



BODY 510-1307



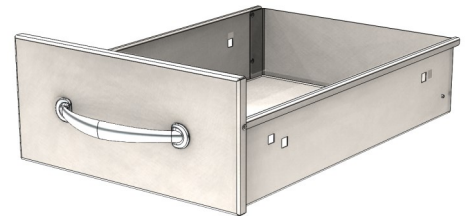
DOOR & DRAWER
ASSEMBLY



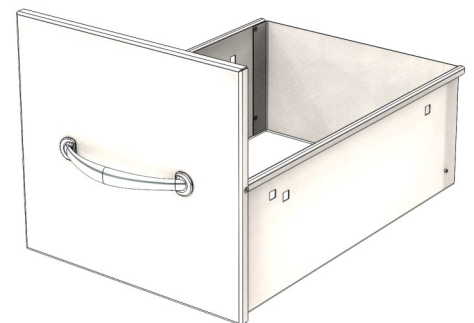
HANDLE 290-0073
(MOUNTING)



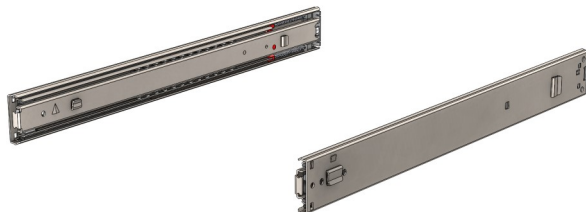
DOOR 510-1299



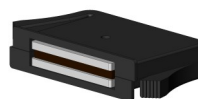
DRAWER 510-1308



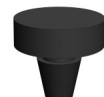
DRAWER 510-1309



DRAWER SLIDES
(PAIR) 290-0460



MAGNETIC CATCH
290-0283



BUMPER 290-0100