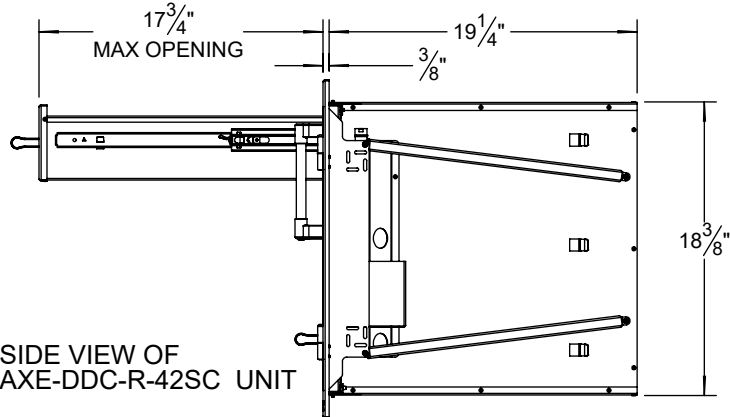
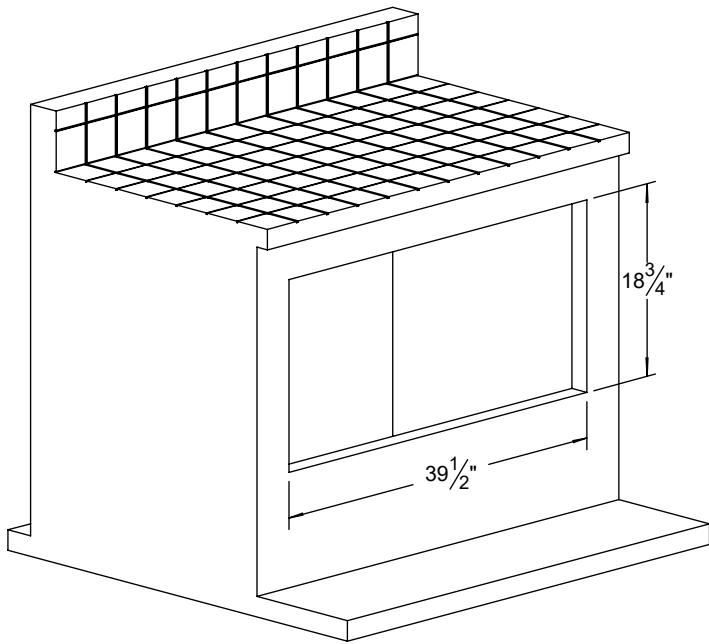
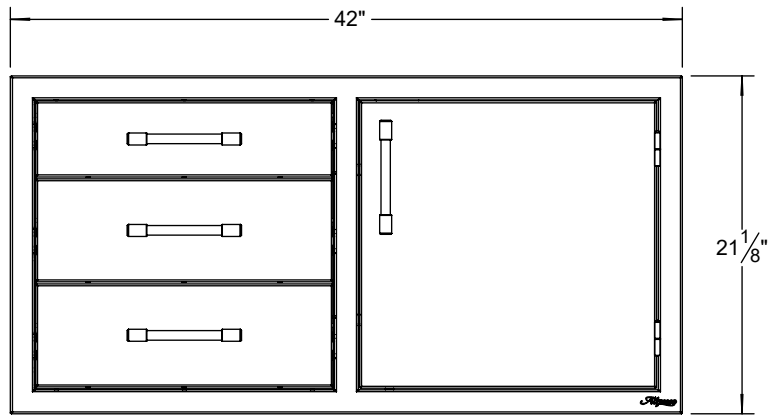


TYPICAL AXE-DDC-42SC INSTALLATION

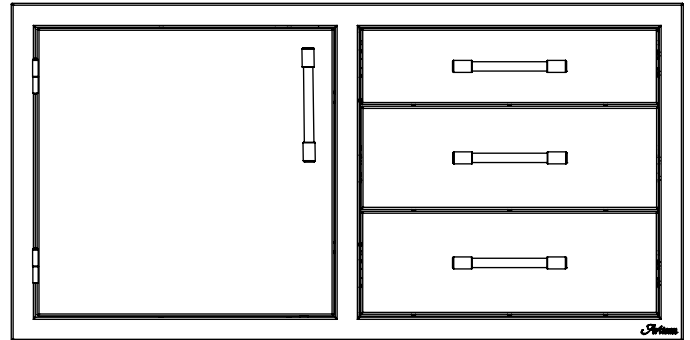
COUNTER FRONT CUTOUT REQUIREMENTS



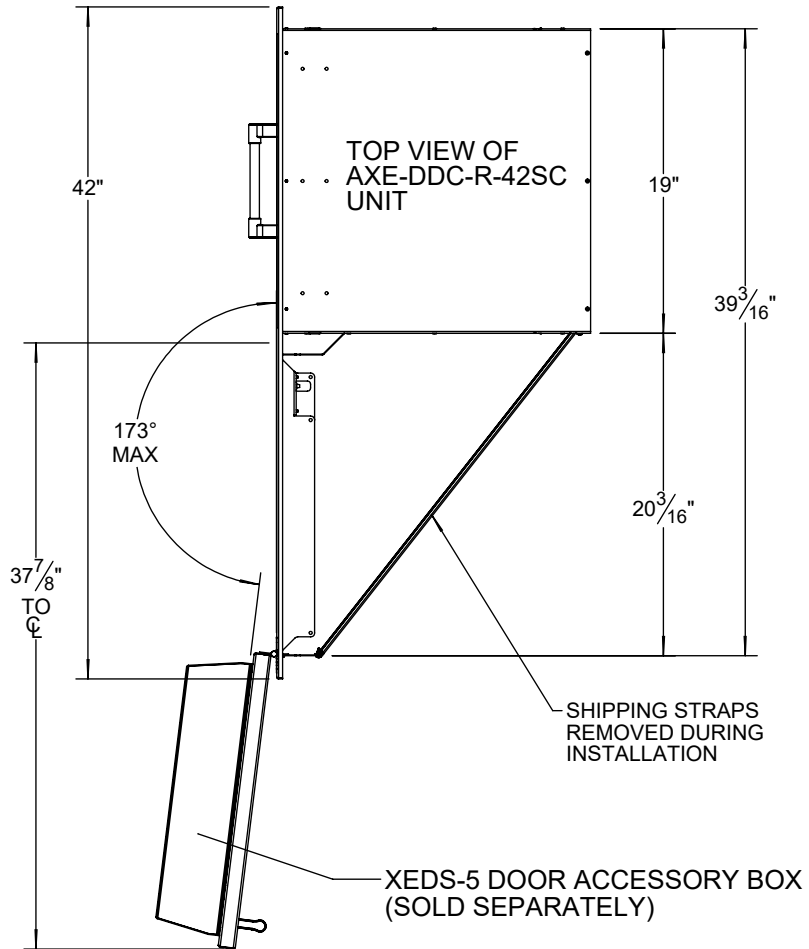
SIDE VIEW OF AXE-DDC-R-42SC UNIT



AXE-DDC-R-42SC



AXE-DDC-L-42SC



FOR AXE-DDC-L-42SC UNIT REVERSE DIMENSIONS