

Artisan[™] USA

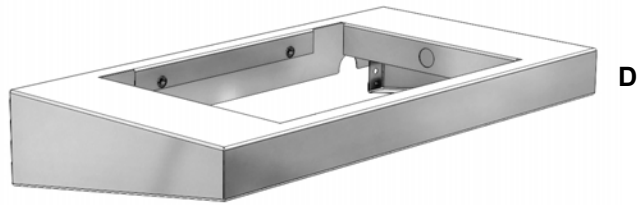
ARTC-SBM-01 ASSEMBLY INSTRUCTIONS



ARTC-SBM-01 SIDE BURNER MOUNTING SHELF FOR ARTISAN CART MODELS

COMPONENTS INCLUDED IN THIS KIT:

ITEM	DESCRIPTION:	QTY:
A	GROMMET	1
B	1/4" LOCK WASHER	5
C	1/4-20 x 1/2" SCREW	5
D	SHELF (AS SHOWN BELOW)	1



ITEM NOT INCLUDED AND REQUIRED FOR ASSEMBLY OF THIS UNIT:
STANDARD #2 PHILIPS SCREWDRIVER



ASSEMBLY PROCEDURE:

STEP 1:

To begin installing the Side Burner Mounting Shelf in your *Artisan* cart, you must first remove the appropriate existing shelf unit out of it.

On older model carts (2019 and older), this is accomplished by removing the 4 screws and lock washers located on the under the shelf and on the sides.

Save these screws and washers for later use. (See Figure # 1a)

Note: The ARTC-32 shown in this drawing is for illustrative purposes only. These same instructions apply to all *Artisan* cart models.

On newer model carts (2020 and after), with folding side shelves, you will need to lift and remove the existing shelf and also remove the shelf brackets.

The shelf brackets are detached from the cart body by removing two screws on each bracket.

Save these screws and washers for later use.(See Figure # 1b)

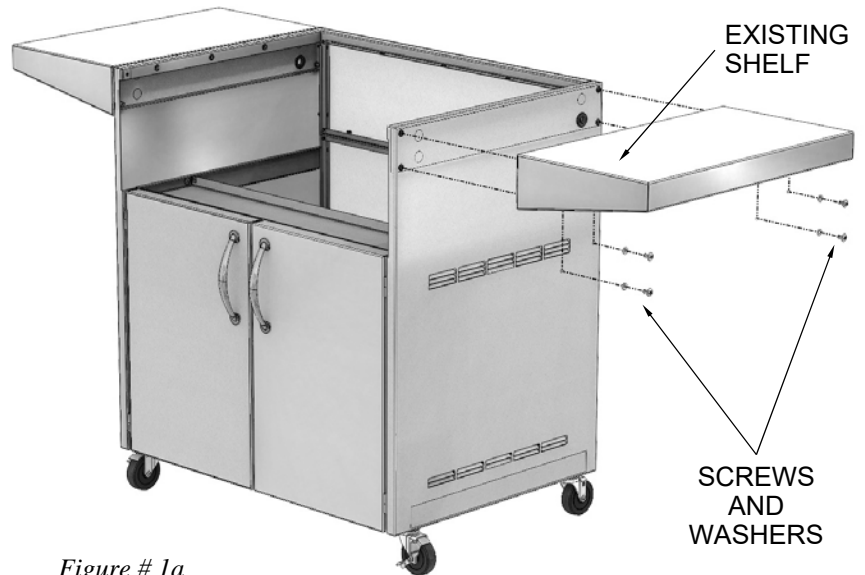


Figure # 1a

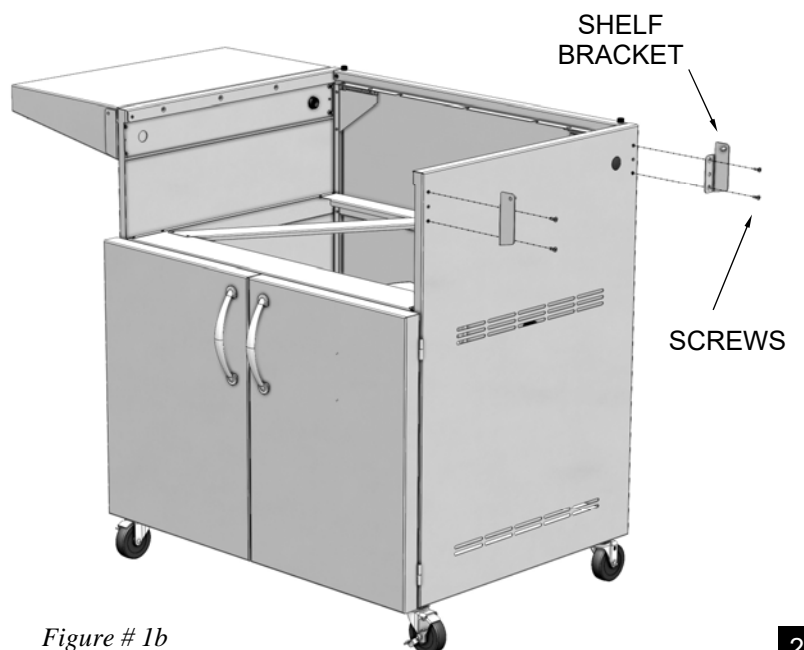


Figure # 1b

STEP 2:

Install the ARTC-SBM-01 shelf unit by using the same screws and washers you saved on STEP 1.

Tighten screws while aligning the shelf to the sides and top edges of the cart unit's side panel.

(See Figure # 2)



Figure # 2

STEP 3:

Now your *Artisan* Side Burner ART-SB1 can be installed on the side mounting shelf unit.

(See figure # 3)

Lower the ART-SB1 unit onto the opening of the shelf.



Figure # 3

STEP 4:

Fasten the ART-SB1 Side Burner to the ARTC-SBM side mounting shelf with the 4 screws and lock washers provided in this kit.

(See figure # 4)

Insert the grommet provided to protect and guide the supply gas line to the side burner unit.

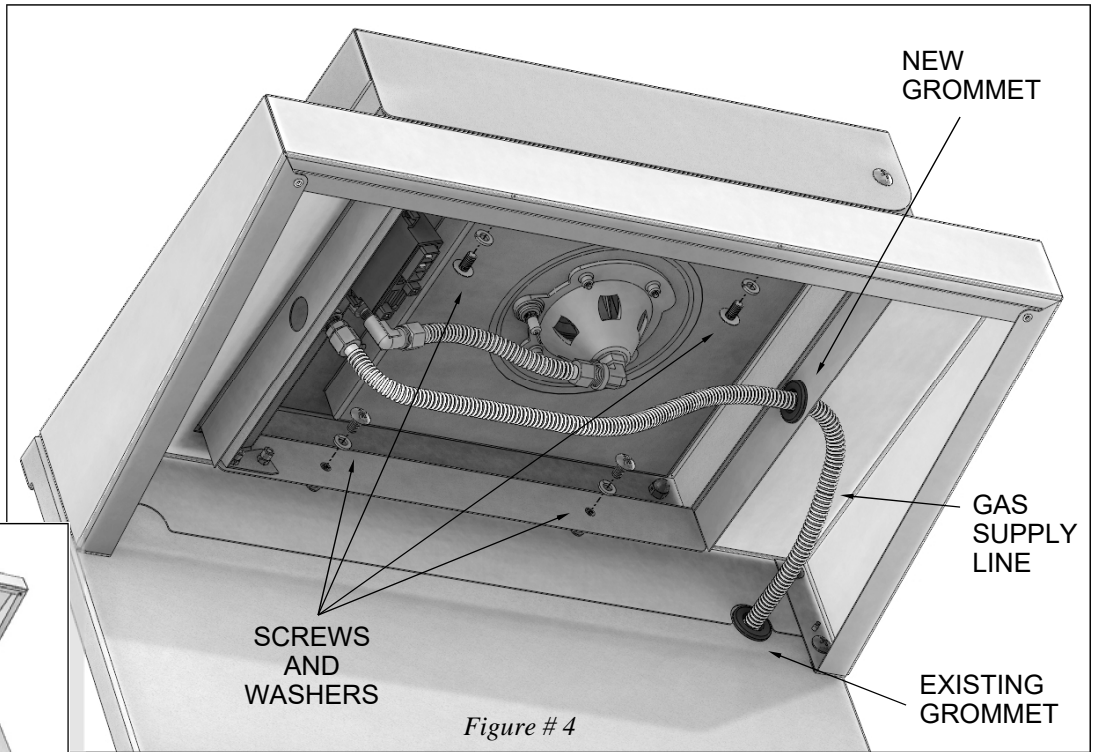


Figure # 4



Guide the supply gas line through the existing grommet in the cart and connect to the *Artisan* BBQ unit as required and shown on the ART-SB1 Manual.

STEP 5:

When fully assembled with your *Artisan* BBQ, the Side Burner Unit ART-SB1, becomes a permanent accessory of your Cart Mounted Unit as shown on Figure # 5.



Figure # 5

Artisan[™] ARTC-SBM-01 Assembly Instructions

Artisan[™] USA Grills

All Rights Reserved • 04/2020