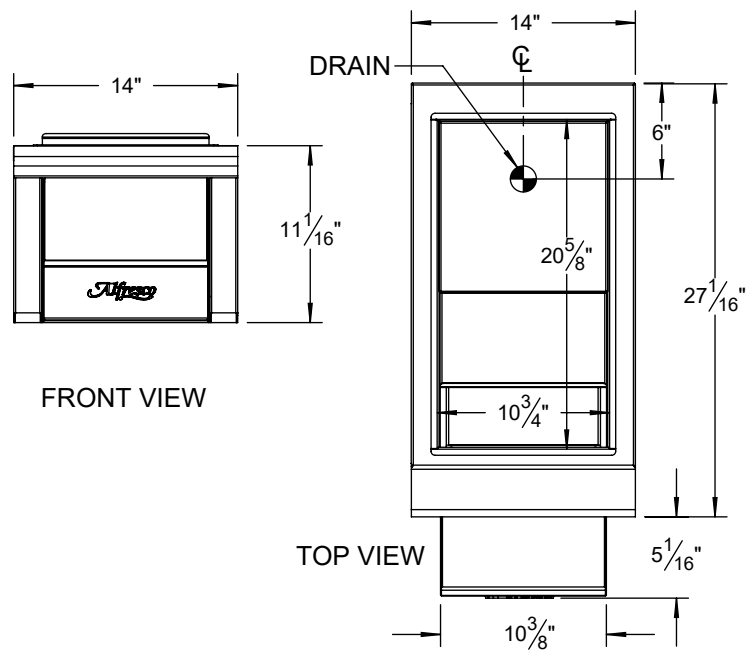
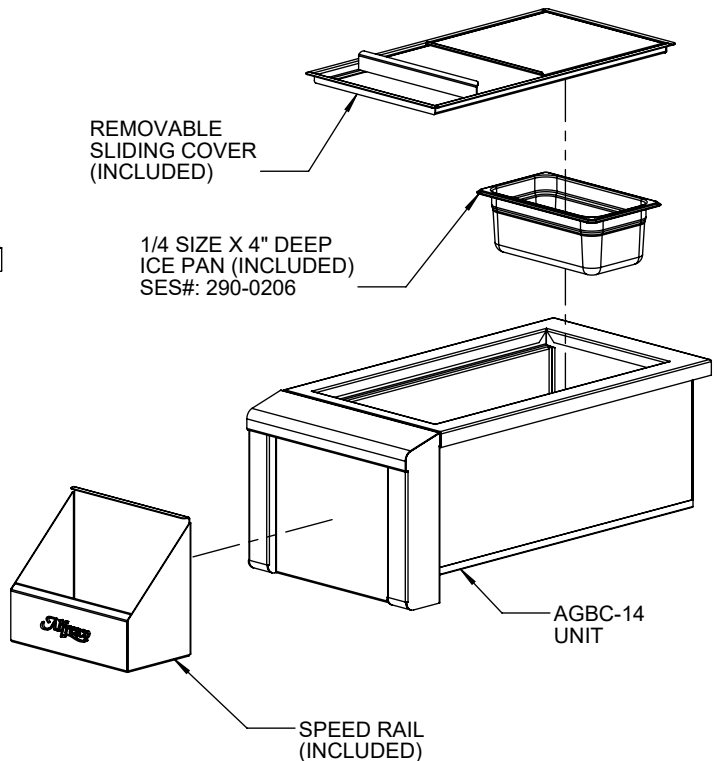
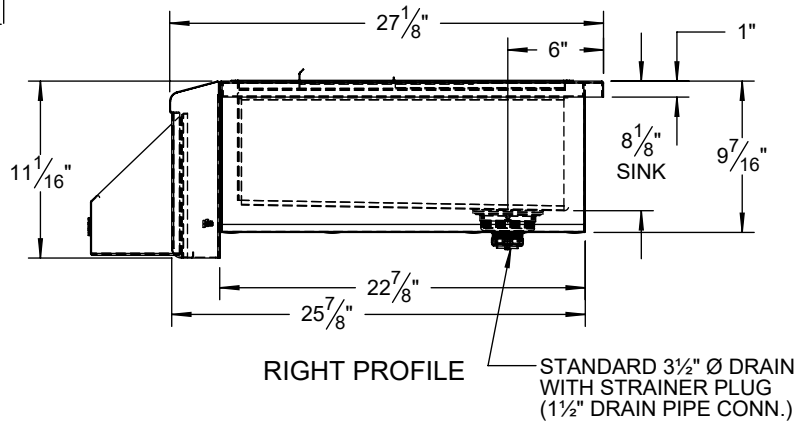
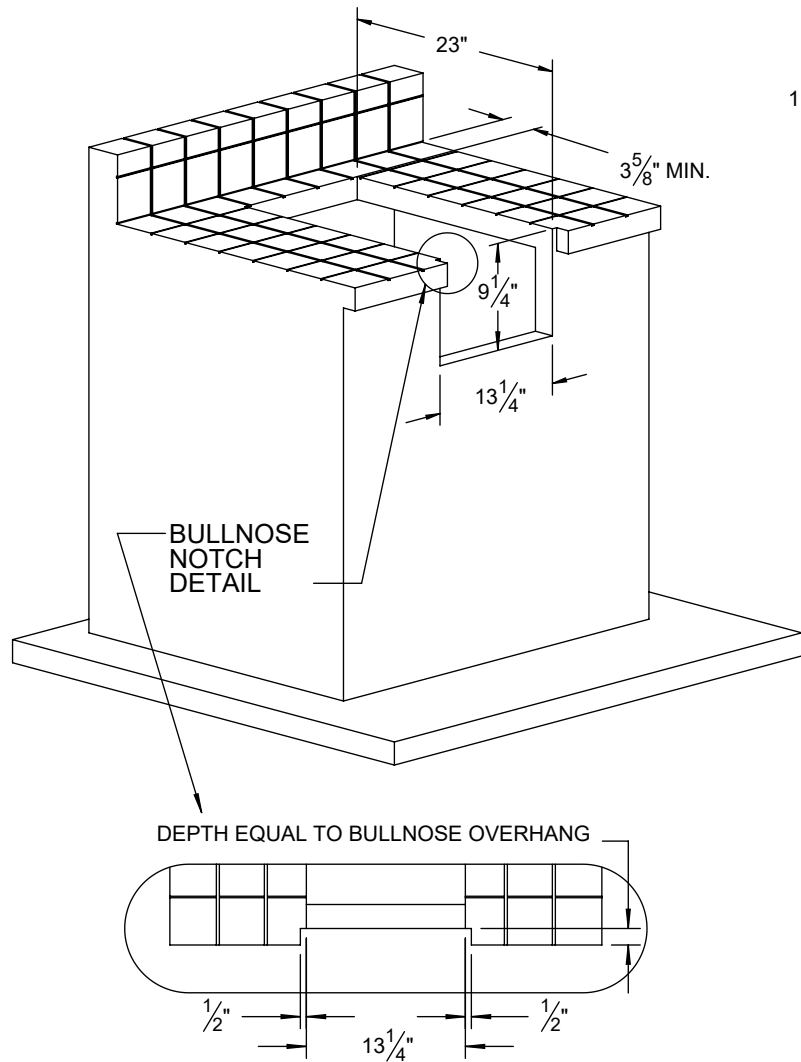


AGBC-14 TYPICAL INSTALLATION



COUNTERTOP CUTOUT REQUIREMENTS



NOTES:

- A DRAIN MUST BE PROVIDED INSIDE THE COUNTER FOR PROPER AGBC-14 INSTALLATION.