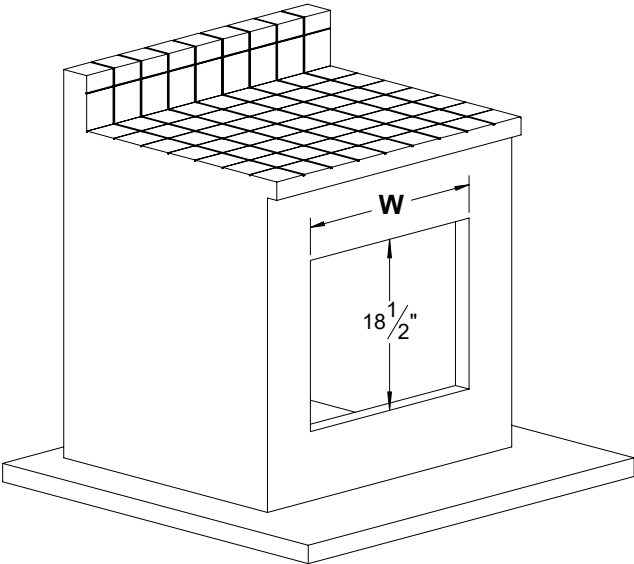
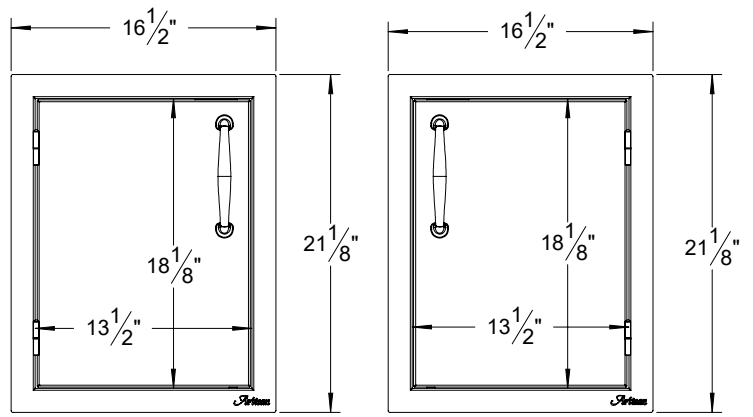


TYPICAL ARTP SINGLE DOOR INSTALLATION

COUNTER FRONT CUTOUT REQUIREMENTS

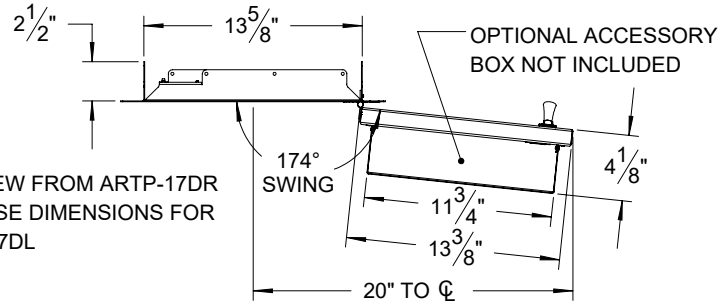


ARTP SINGLE DOOR CUTOUT WIDTHS		OPTIONAL ACCESSORY BOXES	
MODEL	W	PART NO.	QTY.
ARTP-17DL	13-7/8"	ARTP-DS17	1
ARTP-17DR	13-7/8"	ARTP-DS17	1
ARTP-26DL	23-3/8"	ARTP-DS26	1
ARTP-26DR	23-3/8"	ARTP-DS26	1

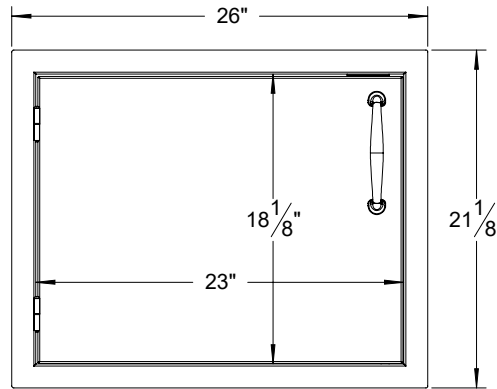


ARTP-17DL

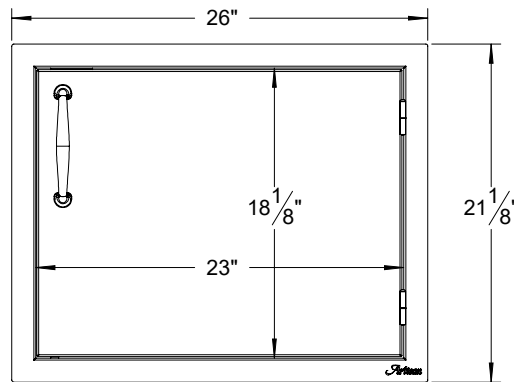
ARTP-17DR



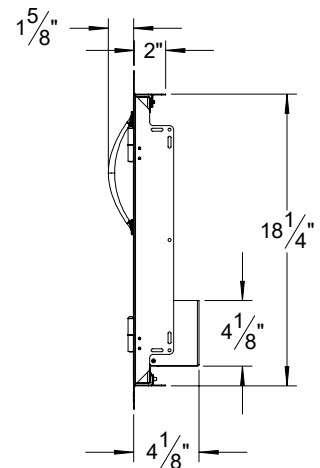
TOP VIEW FROM ARTP-17DR
REVERSE DIMENSIONS FOR
ARTP-17DL



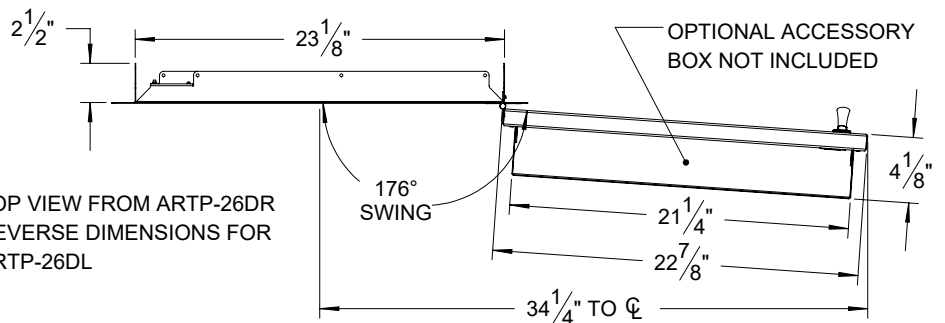
ARTP-26DL



ARTP-26DR



PROFILE OF ALL
ARTP DOORS



TOP VIEW FROM ARTP-26DR
REVERSE DIMENSIONS FOR
ARTP-26DL