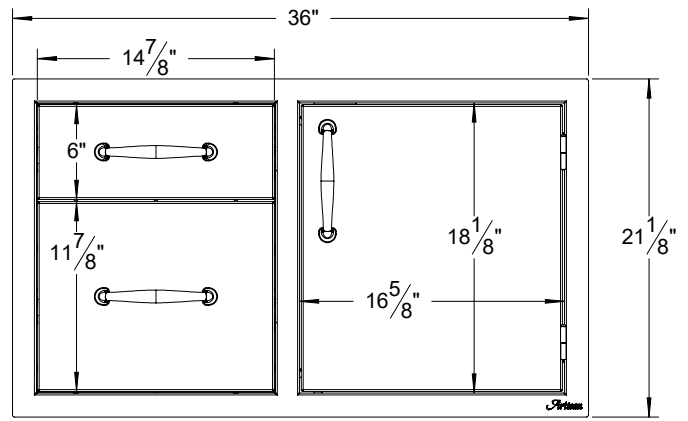
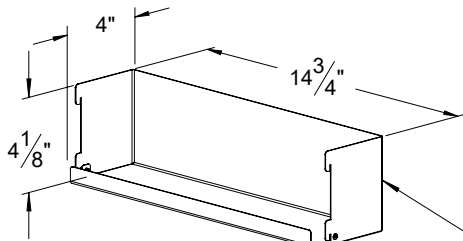
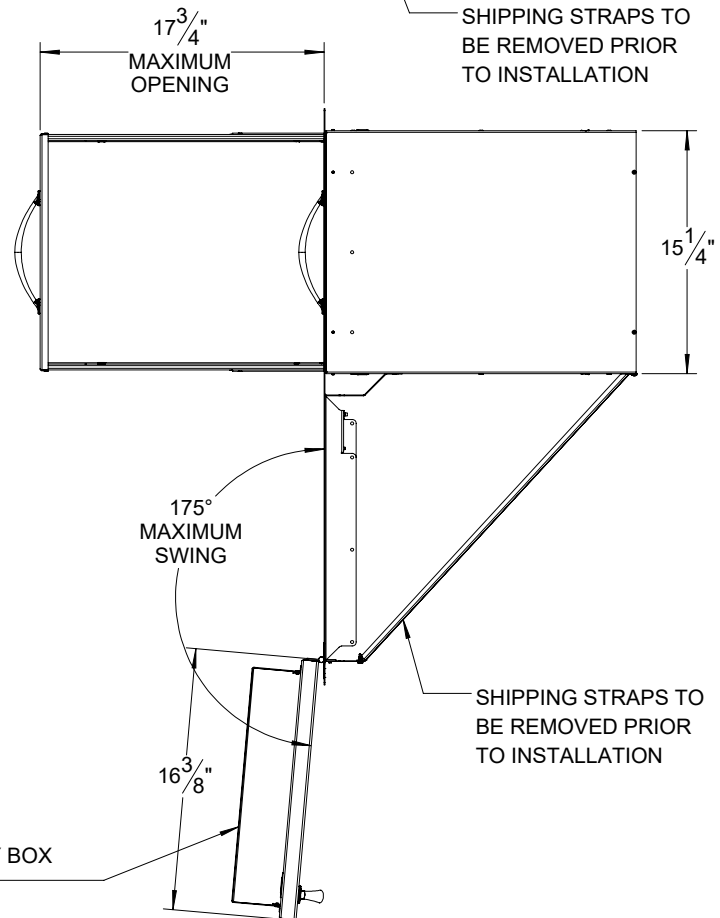
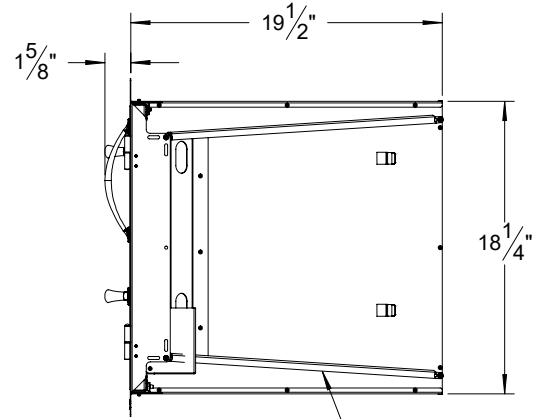
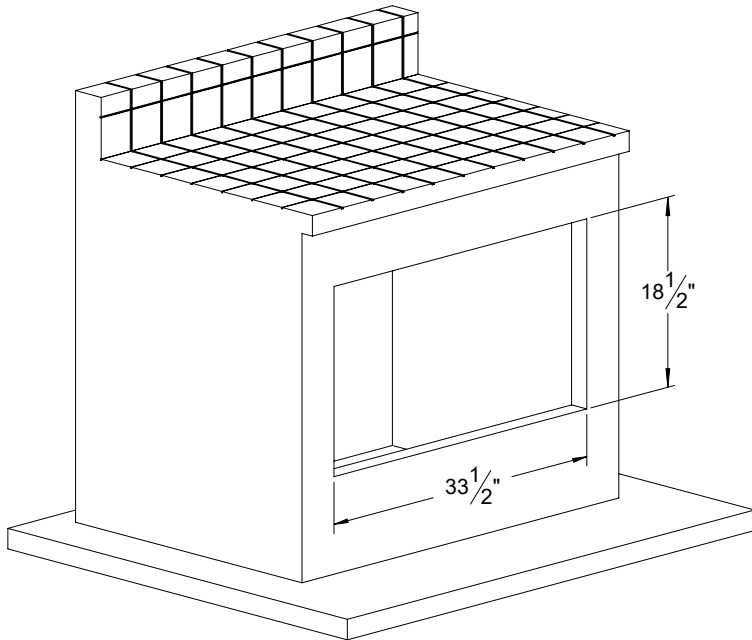


ARTP-DDC-36SC  
UNIT

**TYPICAL ARTP-DDC-36SC INSTALLATION**



**COUNTER FRONT CUTOUT REQUIREMENTS**



ACCESSORY BOX FOR  
ARTP-DDC-36SC  
ORDER ITEM: **ARTP-DS36**

ACCESSORY BOX  
(OPTIONAL)