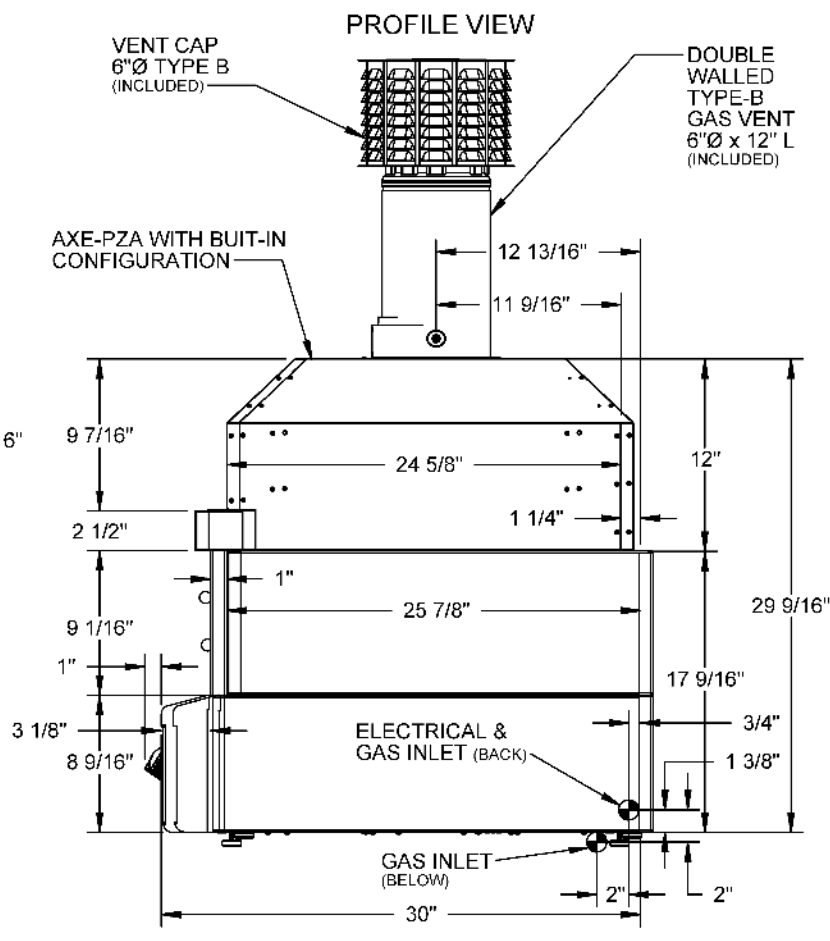
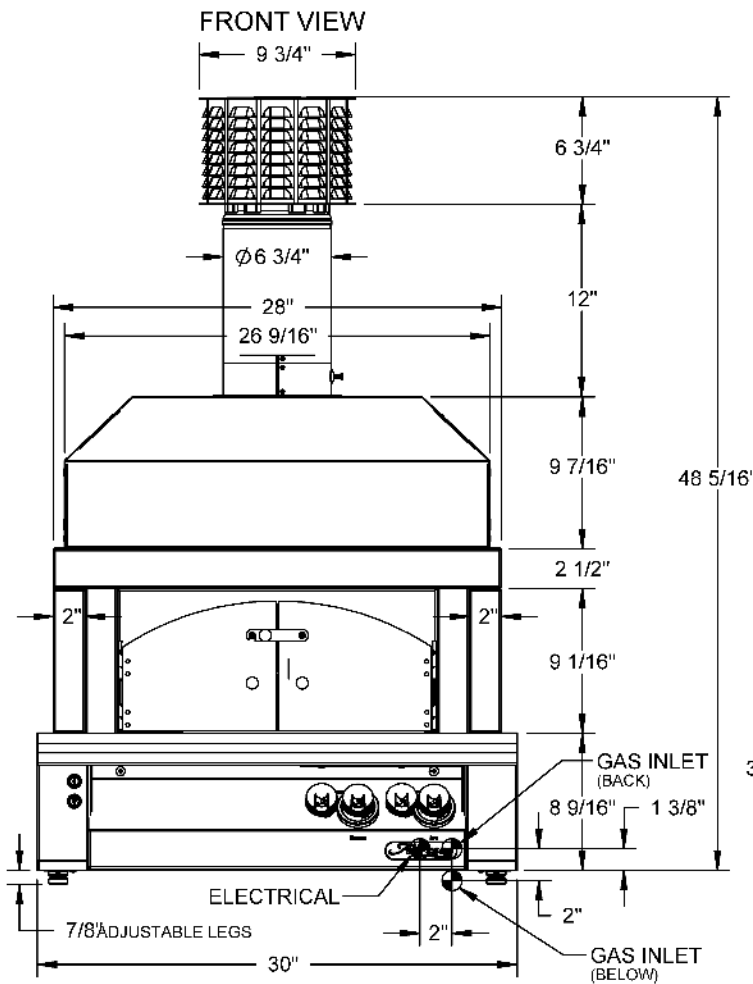
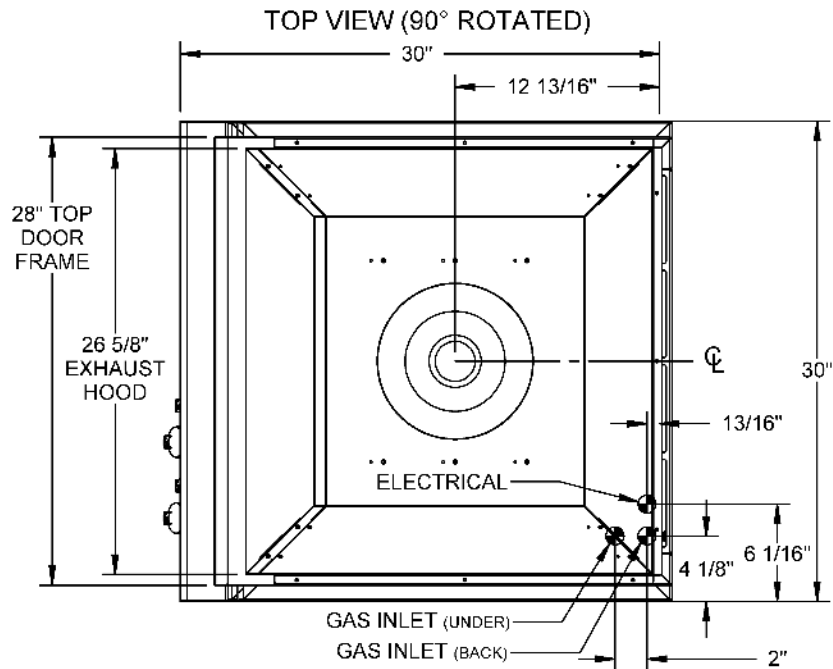


AXE-PZA AND "BI" TYPICAL UNIT INSTALLED WITH A FULL FASCIA BRICK WALL DESIGN

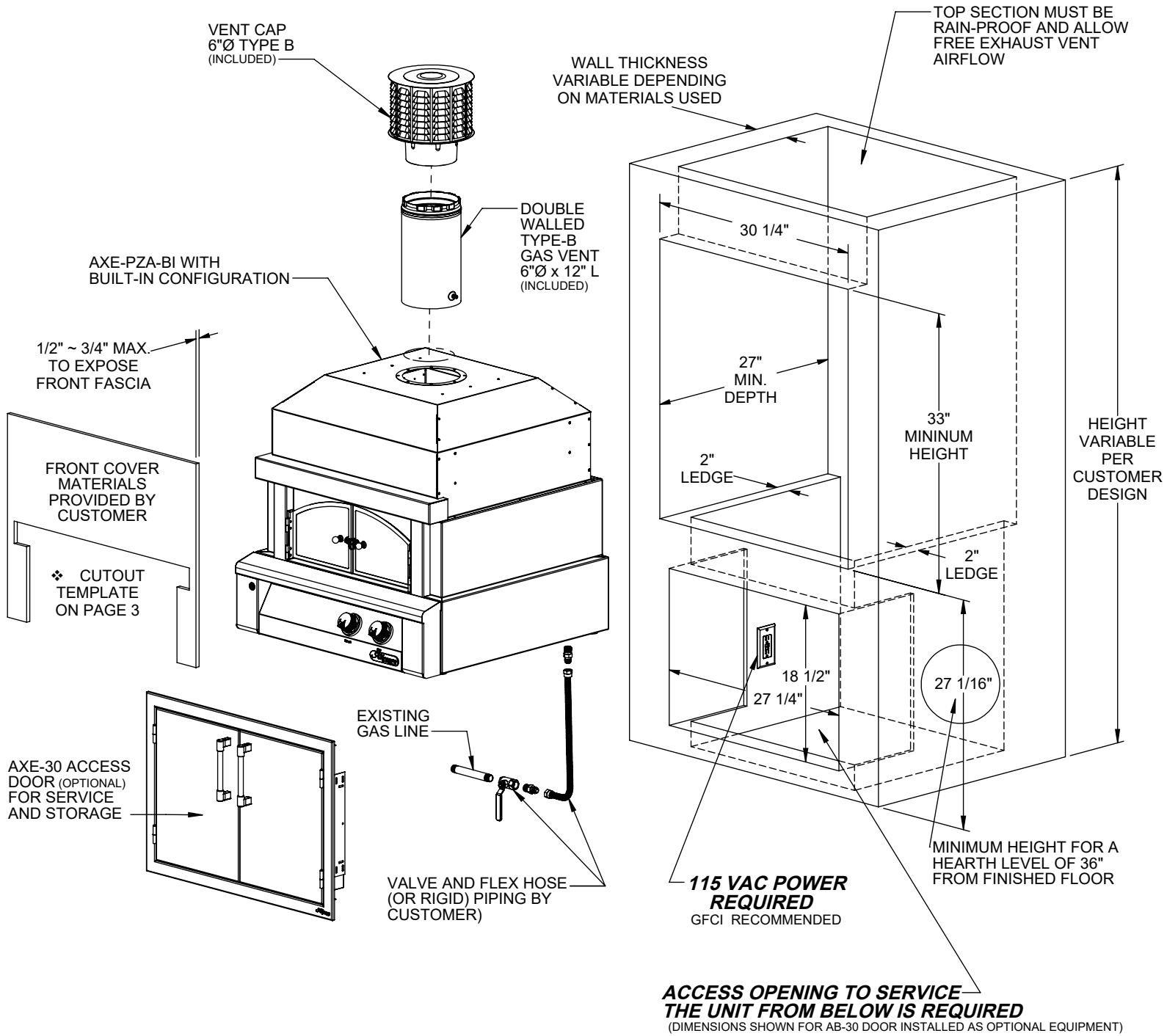
Due to the unique design of the *Alfresco*[™] Pizza Oven, the unit can be piped from behind or below as it might be required by a custom installation and finish. Both locations are shown here as an aid in design only.

For additional information, please refer to the AXE-PZA Care and Use manual.



When installing the *Alfresco*™ Pizza Oven as a built-in unit, careful consideration to the materials used must be made. As a general rule, the materials and construction methods should be the same as the requirements for an outdoor fireplace while maintaining all local building codes.

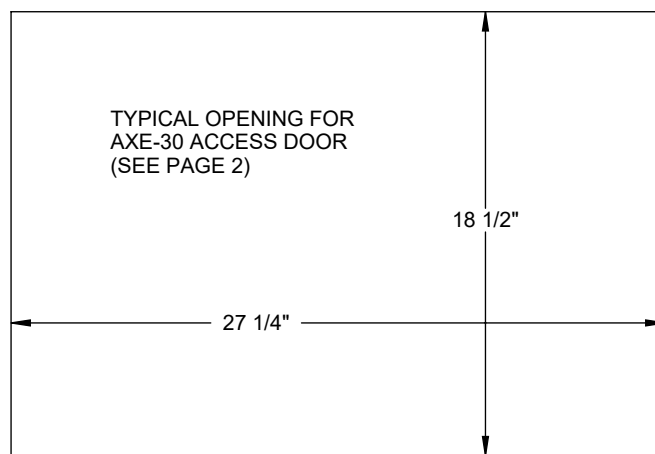
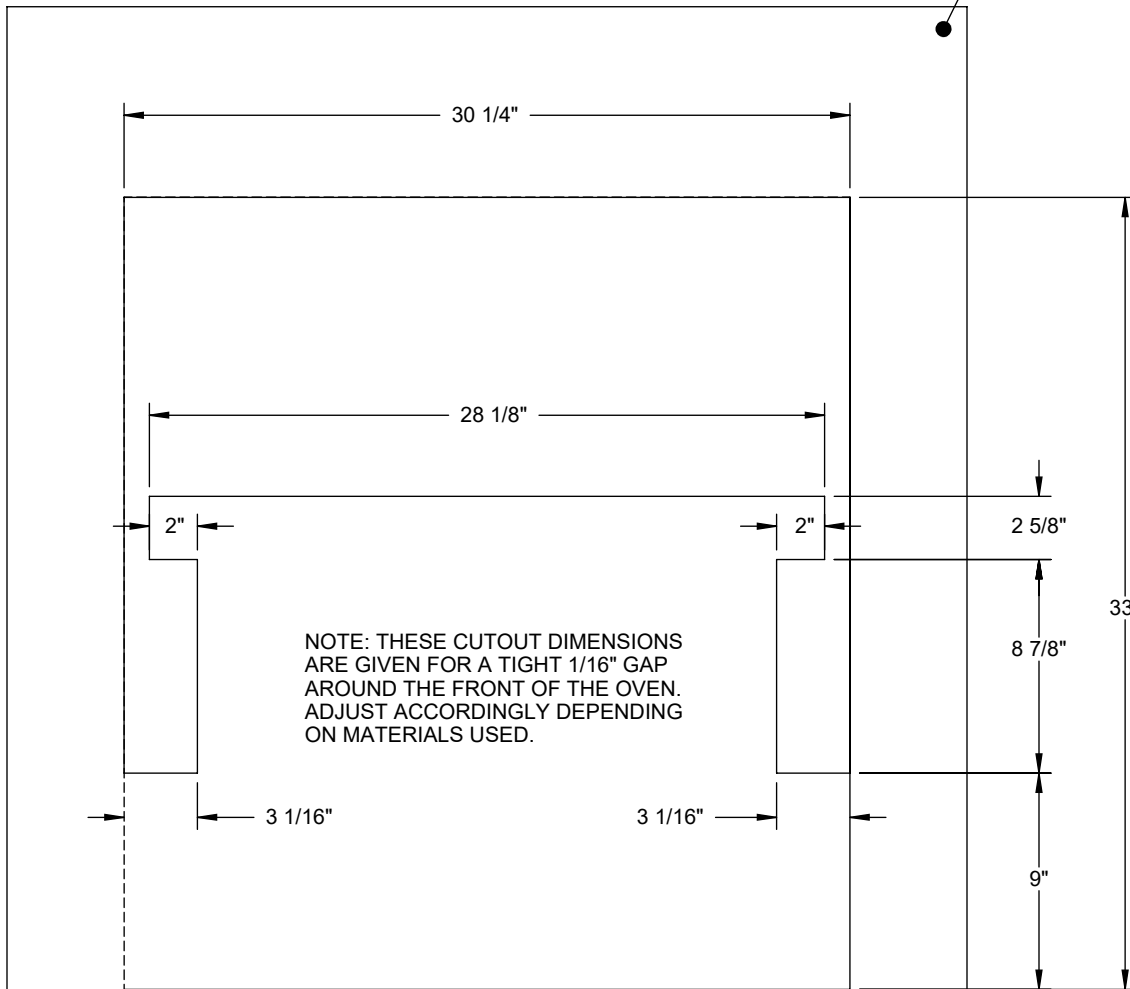
Dimensions shown below should be used as a reference for design and planning only.



SPECIFICATIONS:

BTUH = 35,600
 FUEL NG @ 5 W.C. / LP @ 10 W.C.
 ELECTRICAL POWER: 115 VAC / 0.3 A / 60 Hz.
 GAS CONNECTION = 1/2" NPT (NG) OR 3/8" ODF (LP)

TYPICAL ENCLOSURE
CONSTRUCTION



27 1/16"

MINIMUM HEIGHT
REQUIRED FOR A
HEARTH LEVEL OF
36" FROM FINISHED
FLOOR.

