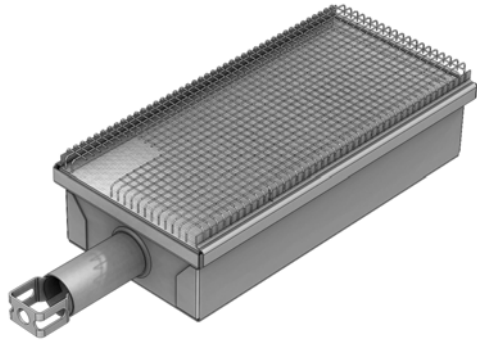


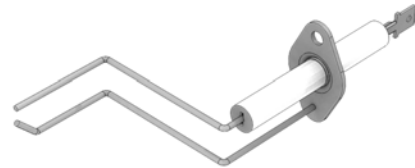
Artisan™ USA INFRARED SEAR BURNER

ITEMS PROVIDED IN THIS KIT MODEL ART-ISB:

Infrared Sear Burner



Sear Burner Electrode



INSTALLATION:

WARNING: Disconnect 110V AC power to the grill before servicing the unit.
(Applies to 32" and 36" units only).

The Infrared Sear Burner for your Artisan™ USA Grill can be used in any existing grill burner location you prefer: left, center or right.

- Remove the grill grate and briquette tray from the desired location as shown on the right. (See Figure 1).

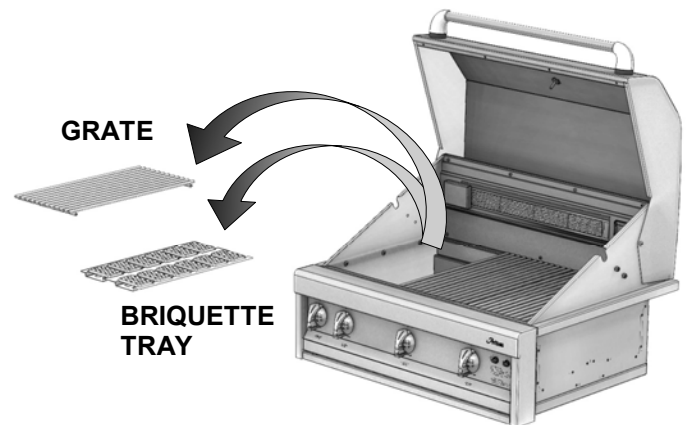


Figure 1

- Lift and remove the U-BURNER out of the grill. The U-BURNER is simply resting between the gas valve and the rear bracket located in the back wall. (See Figure 2)

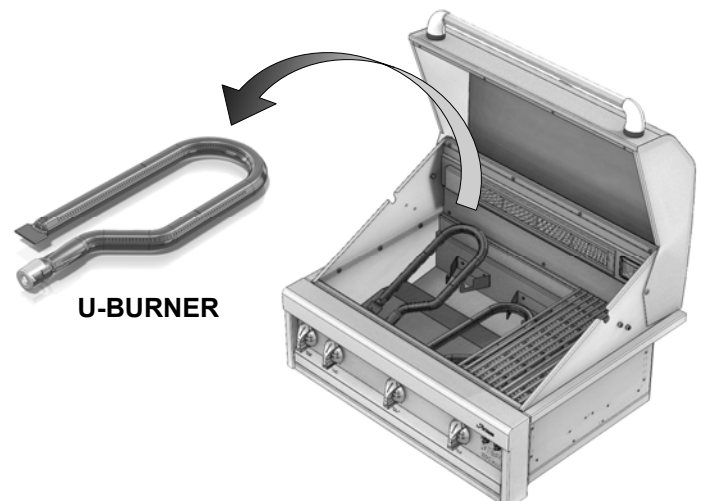


Figure 2

- Using a screwdriver, remove the electrode screw and pull the U-BURNER electrode out SLOWLY.

There is additional ignition wire located inside the front of the grill in order to pull the connector approximately 1" outside of the front wall. (See Figure 3)

- Remove the electrical wire connected to the back of the U-BURNER Electrode by gently pulling and moving from side to side.

DO NOT let go of this wire as you will need to reconnect it to the SEAR BURNER Electrode.

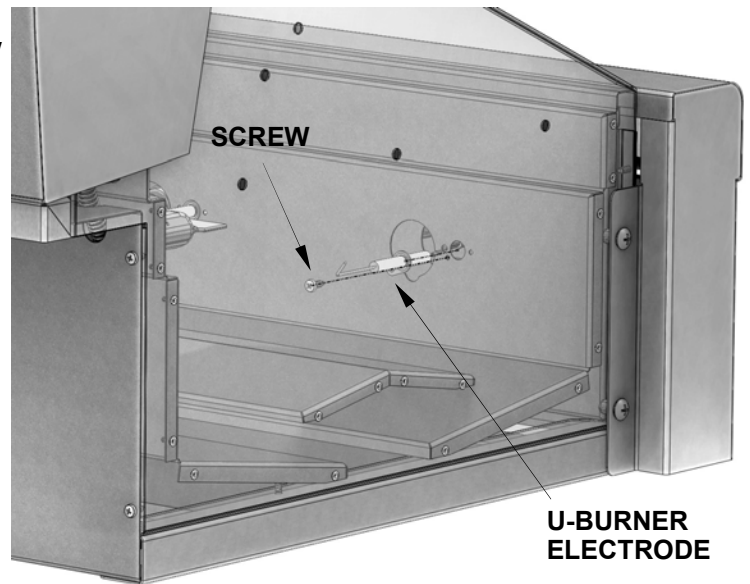


Figure 3

- Connect the Electrode wire to the new SEAR BURNER Electrode by pushing it into the spade connector at the end.

- Install the new SEAR BURNER Electrode with the tip facing "UP" using the same screw that you previously removed. (See Figure 4)

- This new SEAR BURNER Electrode has dual tips. At this point, you should be able to test the spark by pressing the ignition button in the front panel. Verify that the spark is good by maintaining a 1/8" GAP between tips. Replace the ignition module battery if necessary as shown in the grill's manual.

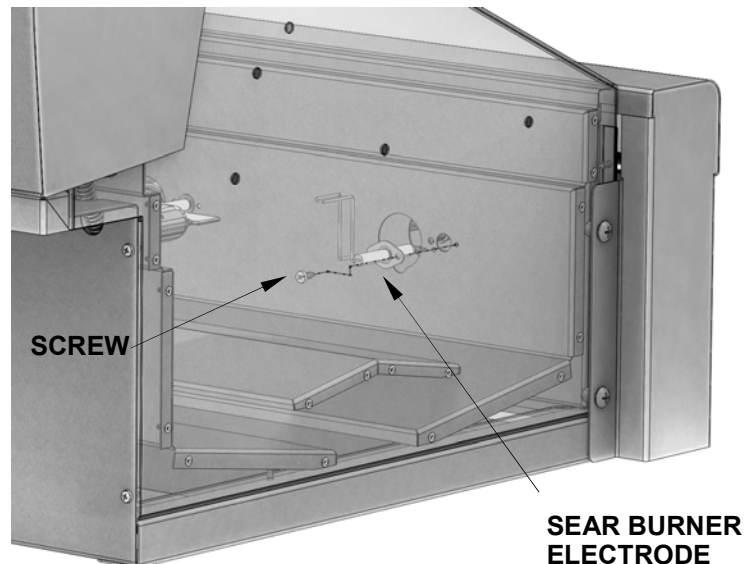


Figure 4

- Insert the SEAR BURNER by installing the front tube first and slightly rotating the burner around the tips of the electrodes as you push the burner forward towards the control panel. (See Figure 5)

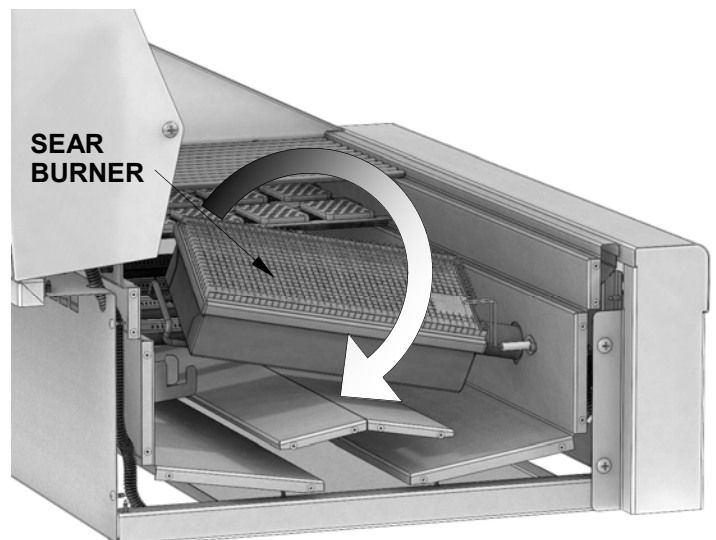


Figure 5

- Verify that SEAR BURNER is properly seated on the back support bracket.

The burner should rest on both legs of the bracket and it should be leveled with the front.
(See Figures 6 and 7)

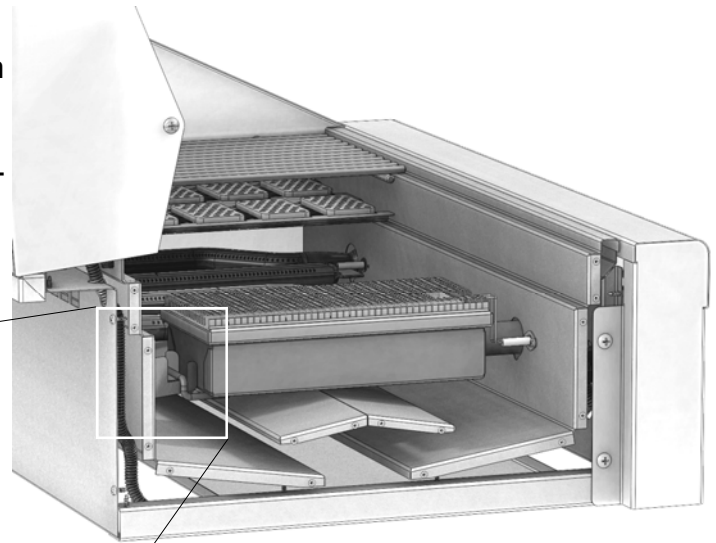


Figure 6

**BACK
BRACKET**

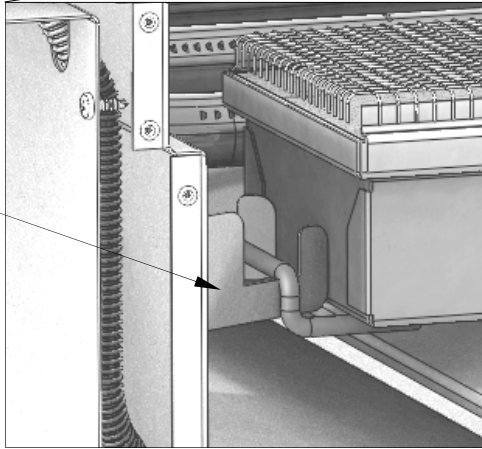


Figure 7

- DO NOT install the briquette tray on top of the SEAR BURNER as it will damage the briquette tray *and* the SEAR BURNER and this damage is not covered under warranty.
- Reinstall the grill grate on top of the SEAR BURNER and you are ready to grill.
- Turn the front control knob on HIGH and press the igniter button to light it up.
- This SEAR BURNER is adjustable from LOW to HIGH heat. It is best to cook on HIGH heat to sear meats and burn off excess grease that otherwise might accumulate on top of the burner.
- To adjust the gas valve LOW setting, please refer to the grill's care and use manual.