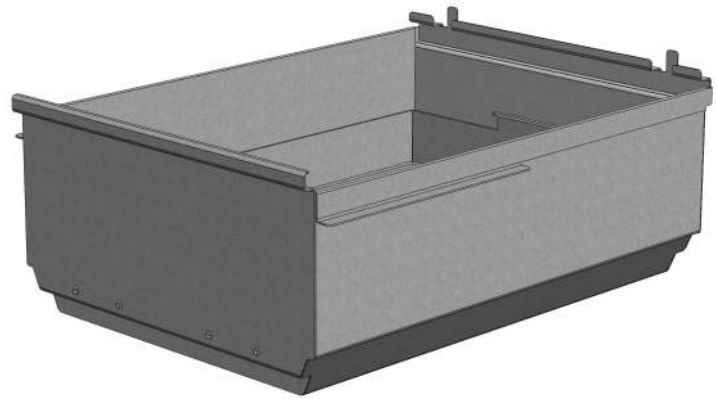
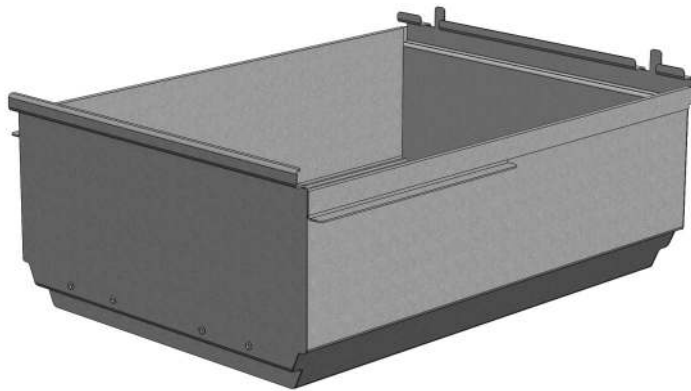


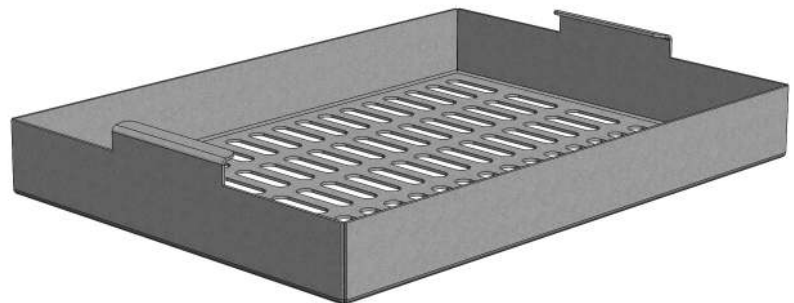
**SFI-POD
PARTS LIST**



SFI-POD



SFI-POD BODY
510-1270



CHARCOAL TRAY
150-2322