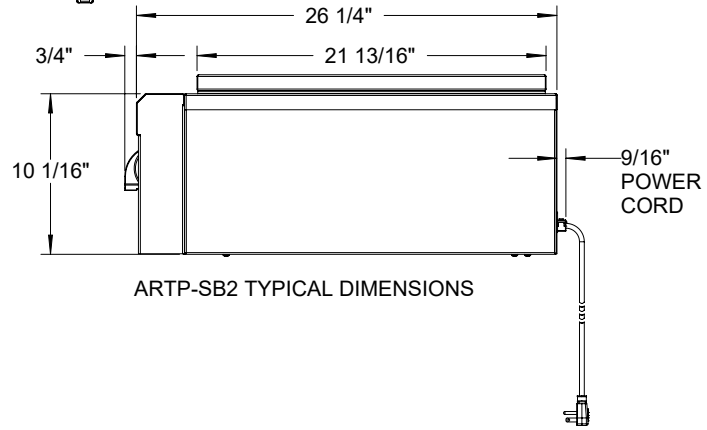
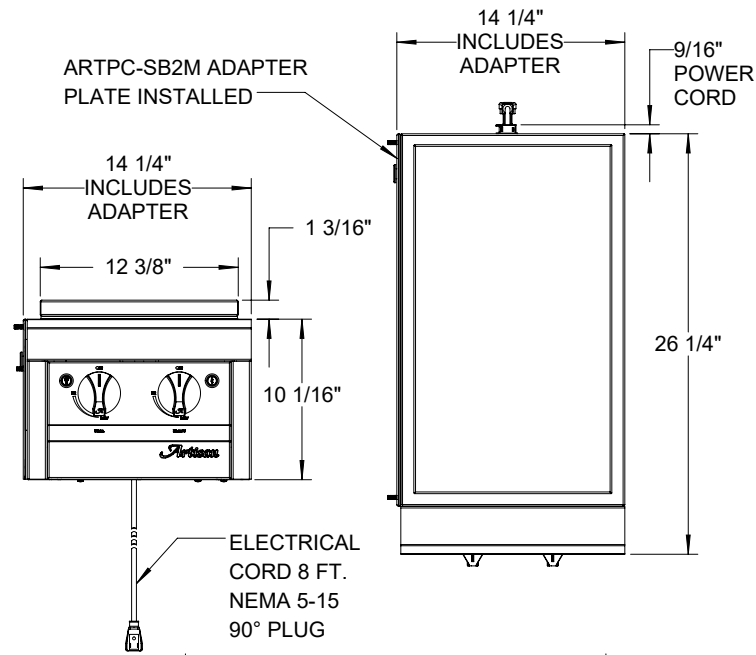
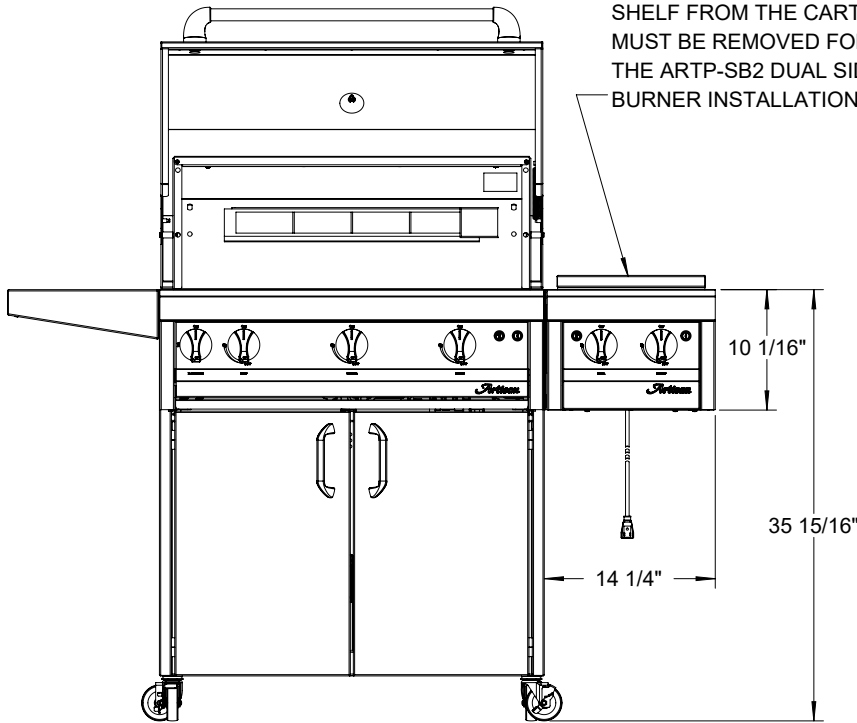


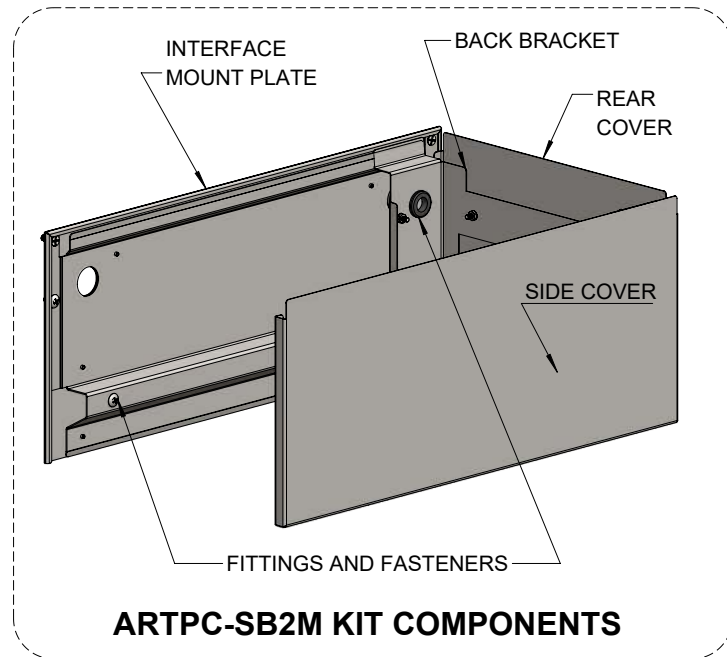
**TYPICAL ARTPC-SB2M INSTALLATION**  
SHOWN INSTALLED ON RIGHT SIDE OF ARTP-32C UNIT



THE RIGHT OR LEFT SIDE SHELF FROM THE CART MUST BE REMOVED FOR THE ARTPC-SB2 DUAL SIDE BURNER INSTALLATION.



ARTP CART INSTALLATION DIMENSIONS



**NOTE:**

THE ARTPC-SB2M IS THE INTERFACE KIT THAT MOUNTS AND CONNECTS AN ARTP-SB2 DUAL SIDE BURNER UNIT TO THE ARTP CART (ARTP-32C MODEL SHOWN AS EXAMPLE). IT CAN BE MOUNTED ON THE LEFT OR RIGHT SIDE OF THE CART.

THE ARTPC-SB2M KIT COMES WITH SIDE AND BACK PANELS THAT CAN BE USED TO CLOSE THE PERIMETER OF AN ARTP-SB2 BURNER WHEN IT IS MOUNTED TO ARTP CART. (REFER TO ARTPC-SB2M INSTALLATION MANUAL FOR MORE INFORMATION)

**THE ARTP-SB2 UNIT SHOWN ABOVE IS NOT INCLUDED.** THE ARTP-SB2 UNIT IS SUPPLIED WITH ALL THE REQUIRED STAINLESS FLEX HOSES AND FITTINGS NECESSARY FOR INSTALLATION. (REFER TO THE ARTP-SB2 INSTALLATION MANUAL FOR ADDITIONAL INFORMATION).