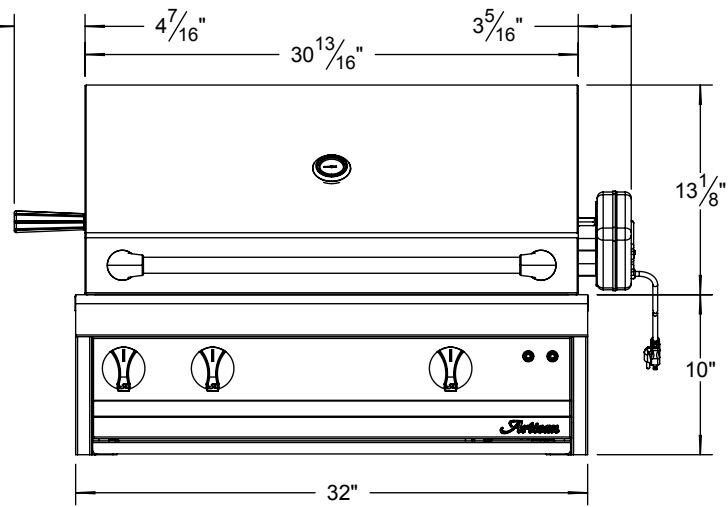
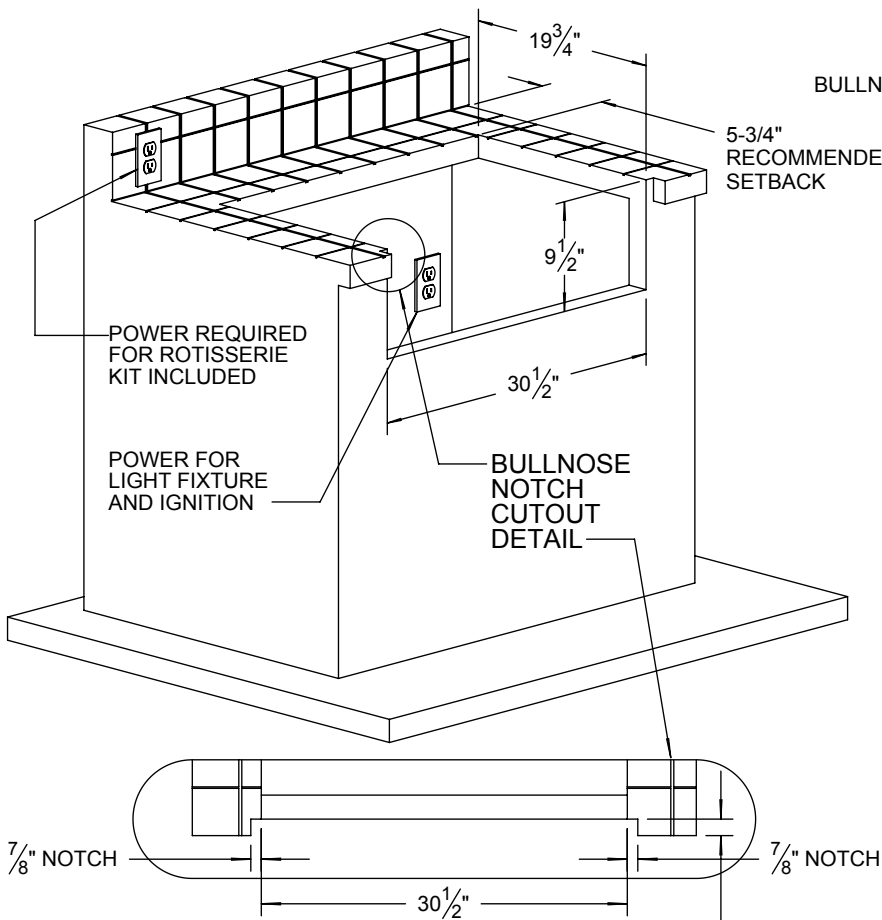


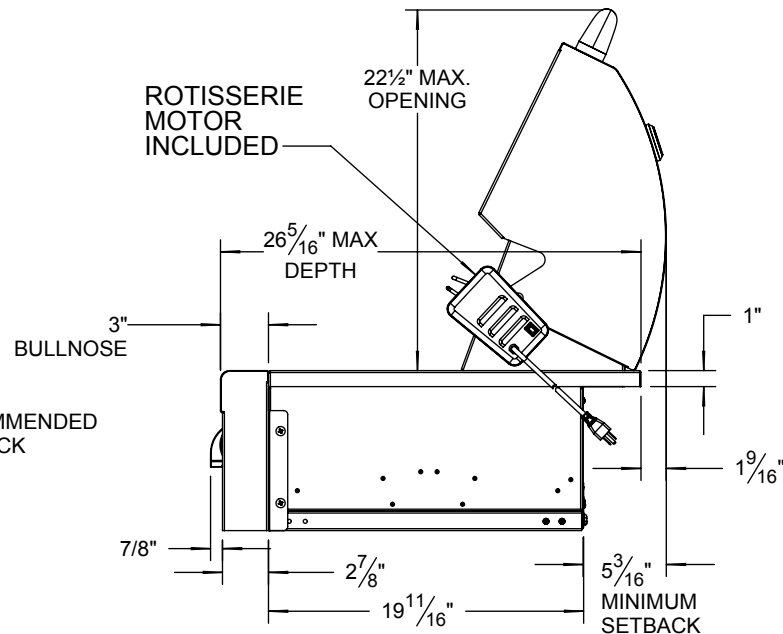
TYPICAL ART2-32 INSTALLATION



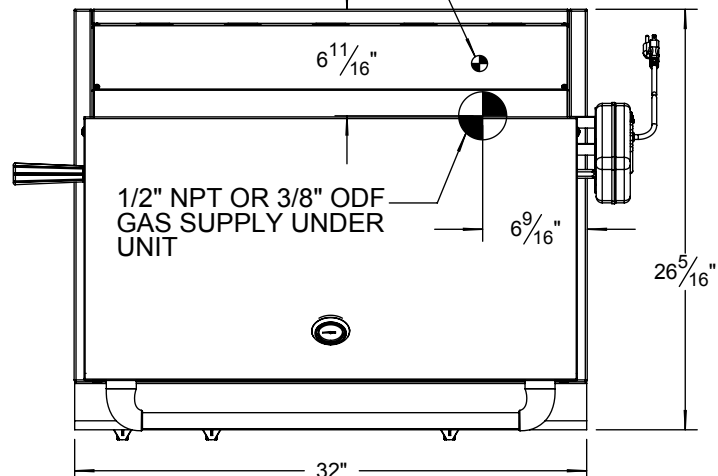
COUNTERTOP CUTOUT REQUIREMENTS



DEPTH EQUAL TO BULLNOSE OVERHANG



UNIT SUPPLIED WITH AN 8 FT. NEMA 5-15 ELECTRICAL PLUG



SPECIFICATIONS:

BTUH = 55,000
 FUEL NG @ 5 W.C. / LP @ 10" W.C.
 ELECTRICAL POWER: 115 VAC / 0.71AMPS / 60 Hz.
 GAS CONNECTION: 1/2" NPT (NG) OR 3/8" ODF (LP)

NOTE:
 COUNTER MUST HAVE THE PROPER GAS SUPPLY AND ELECTRICAL POWER FOR YOUR ARTISAN BBQ.



THE INFORMATION CONTAINED IN THIS DRAWING IS THE SOLE PROPERTY OF SUPERIOR EQUIPMENT SOLUTIONS INC. ANY REPRODUCTION IN PART OR AS A WHOLE WITHOUT WRITTEN PERMISSION FROM SUPERIOR EQUIPMENT SOLUTIONS, INC. IS PROHIBITED.
DRAWN BY: ADRIAN CRISCI
CREATED: 03/18/2013 @ 10:45 AM

PROJECT TITLE:
ARTISAN GRILLS
DRAWING TITLE:
ART2-32 SPECIFICATIONS

DRAWING NO.:
ART2-32 SPEC SHEET
 SHEET 1 OF 1