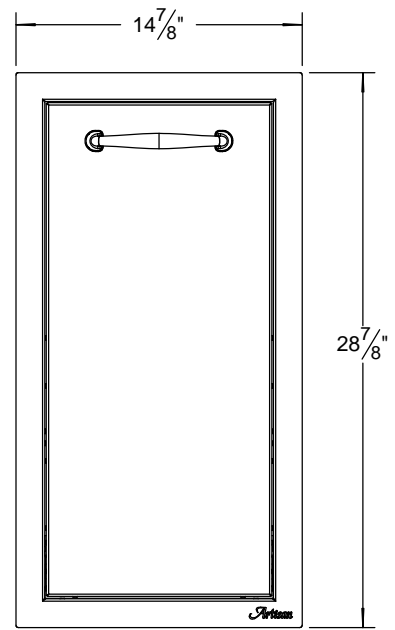
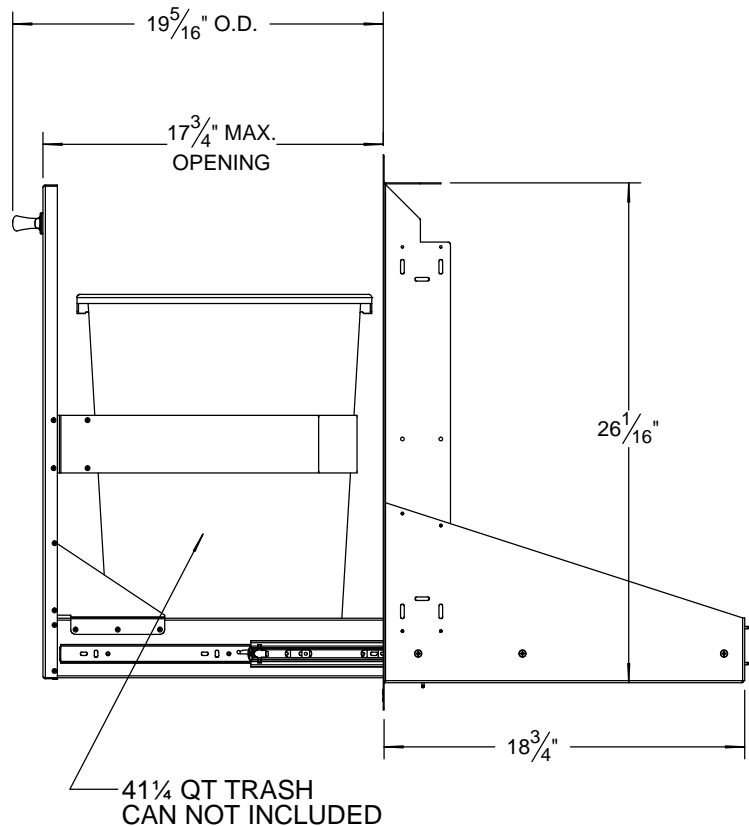
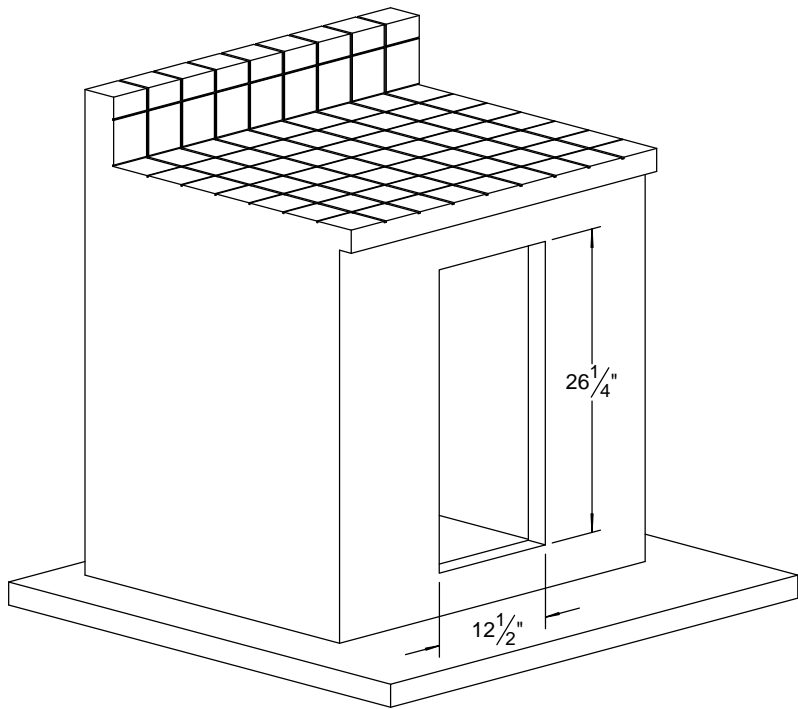
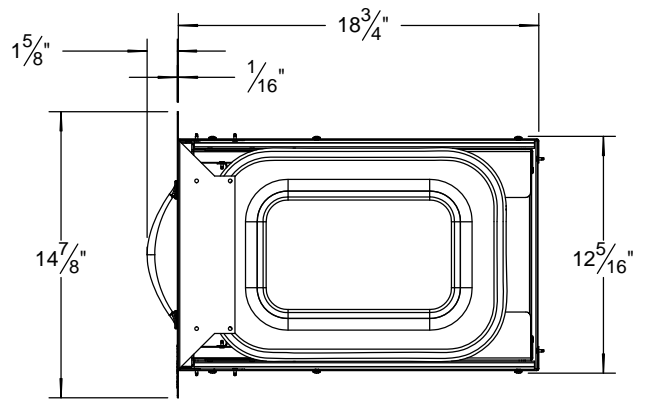


ART-TC TYPICAL INSTALLATION



COUNTERFRONT CUTOUT REQUIREMENTS



Artisan

THE INFORMATION CONTAINED IN THIS DRAWING IS THE SOLE PROPERTY OF SUPERIOR EQUIPMENT SOLUTIONS INC. ANY REPRODUCTION IN PART OR AS A WHOLE WITHOUT WRITTEN PERMISSION FROM SUPERIOR EQUIPMENT SOLUTIONS, INC. IS PROHIBITED.

PROJECT TITLE:

ART-TC

DRAWING NO.:

ART-TC SPEC SHEET

DRAWN BY: ADRIAN CRISCI

DRAWING TITLE:

ART-TC TRASH CENTER SPECIFICATIONS

CREATED: 1/23/2014 1:45:33 PM

SHEET 1 OF 1

SUPERIOR EQUIPMENT SOLUTIONS
7039 EAST SLAUSON AVENUE
COMMERCE, CA. 90040