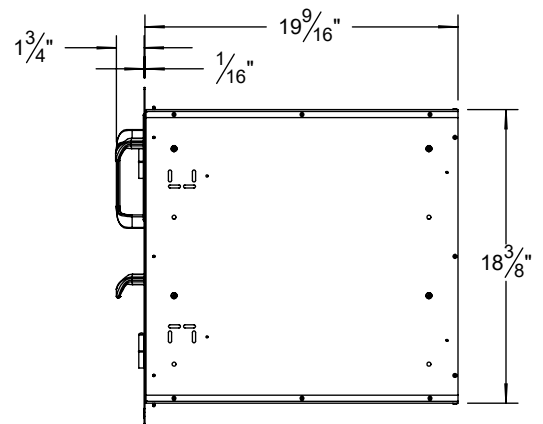
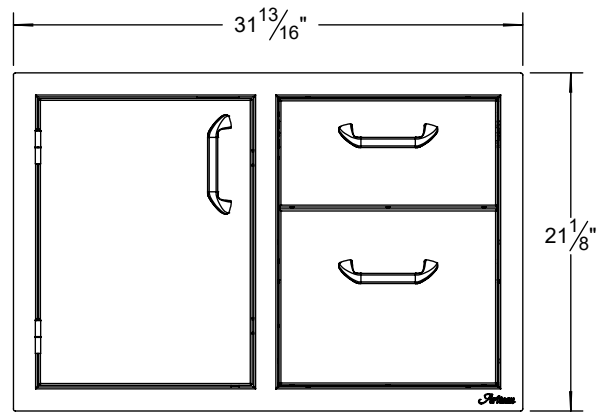
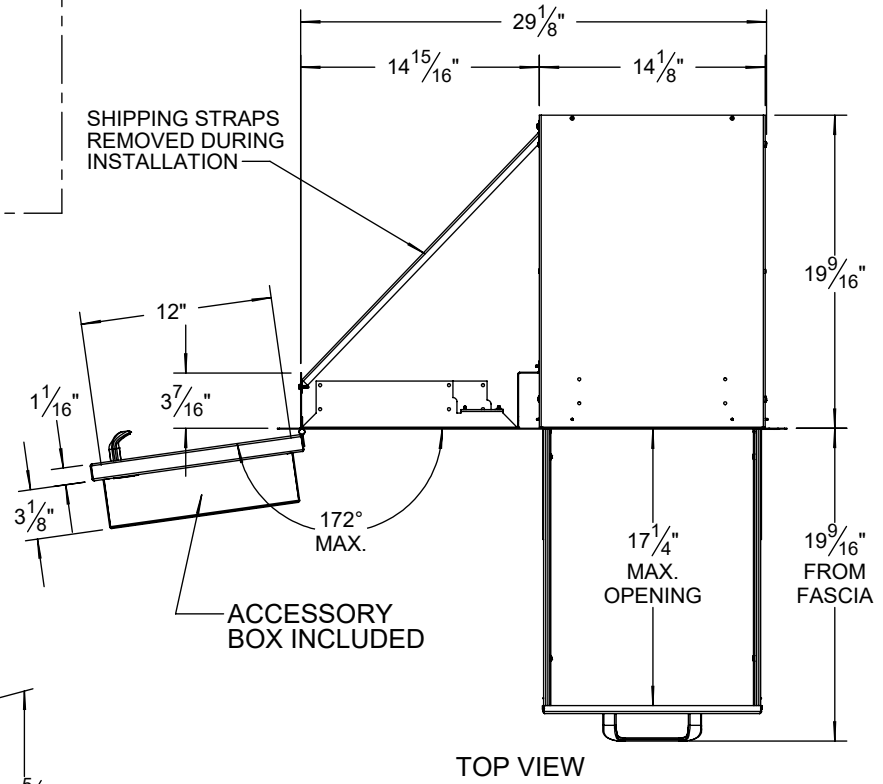
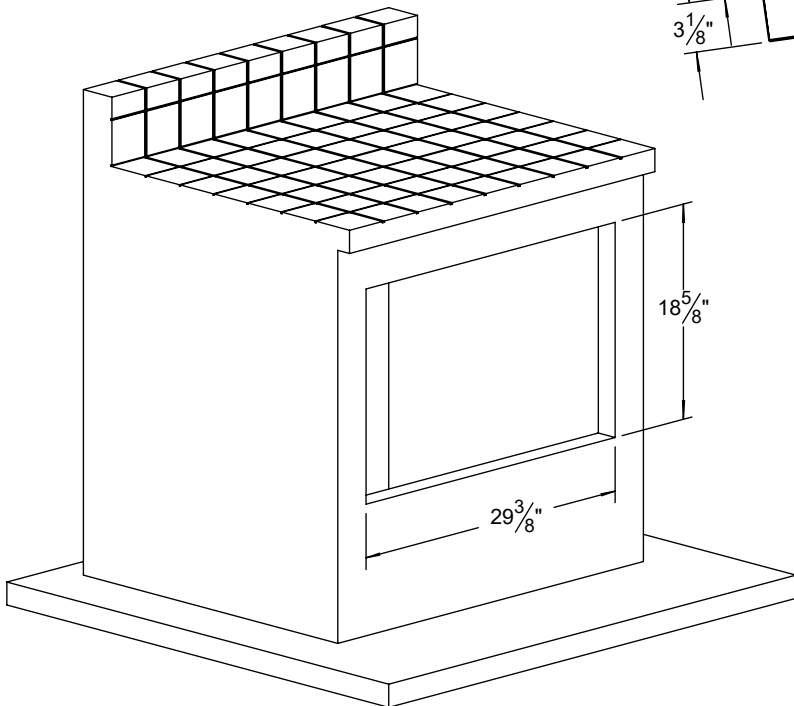


ART-DDC UNIT

ART-DDC TYPICAL INSTALLATION

COUNTERFRONT CUTOUT REQUIREMENTS



**Artisan**

THE INFORMATION CONTAINED IN THIS DRAWING IS THE SOLE PROPERTY OF SUPERIOR EQUIPMENT SOLUTIONS INC. ANY REPRODUCTION IN PART OR AS A WHOLE WITHOUT WRITTEN PERMISSION FROM SUPERIOR EQUIPMENT SOLUTIONS, INC. IS PROHIBITED.

PROJECT TITLE:

**ART DRAWER COMBO**

DRAWING NO.:

**ART-DDC SPEC SHEET**

**DRAWN BY: ADRIAN CRISCI**

**CREATED: 1/21/2014 12:15:20 PM**

DRAWING TITLE:

**ART-DDC SPECIFICATION SHEET**

SHEET 1 OF 1

SUPERIOR EQUIPMENT SOLUTIONS  
7039 EAST SLAUSON AVENUE  
COMMERCE, CA. 90040