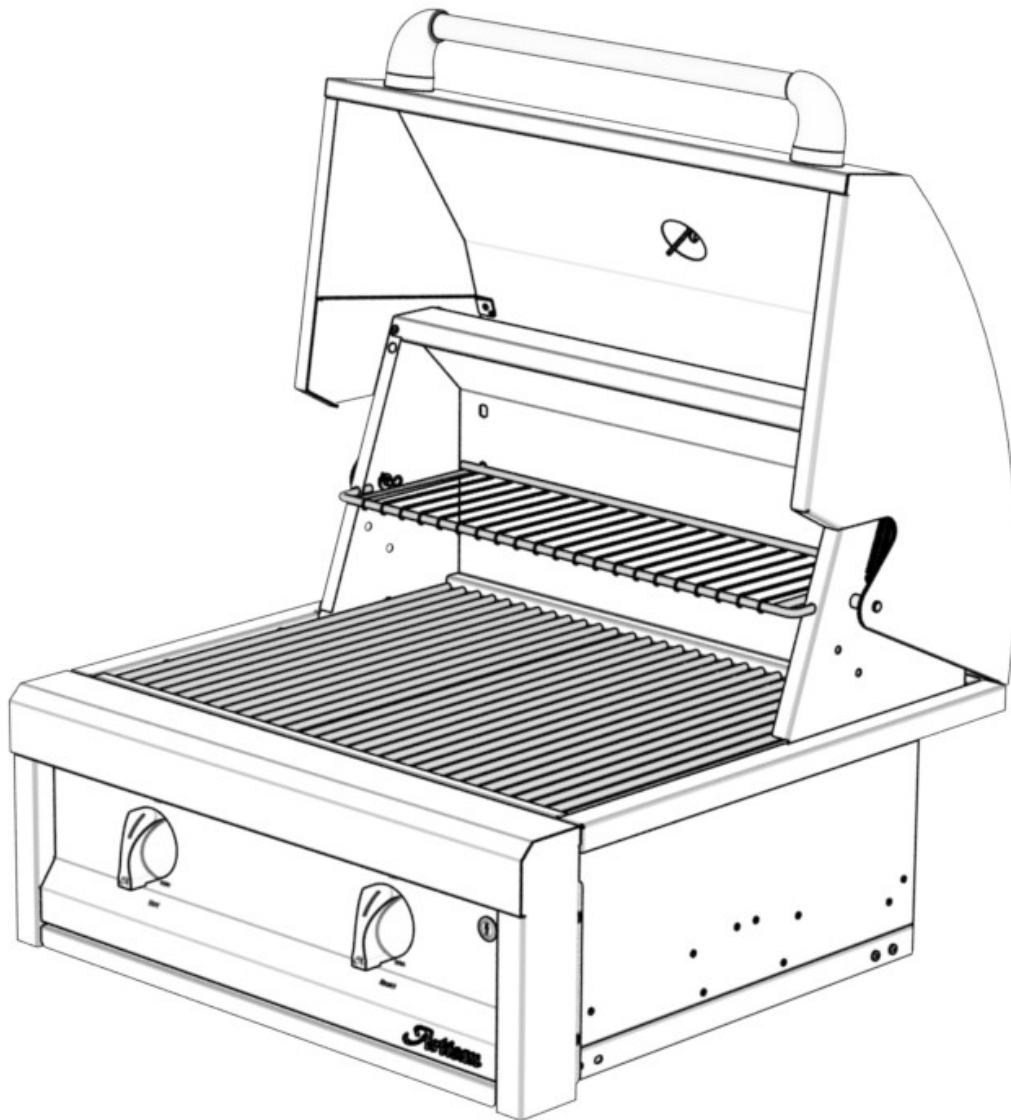
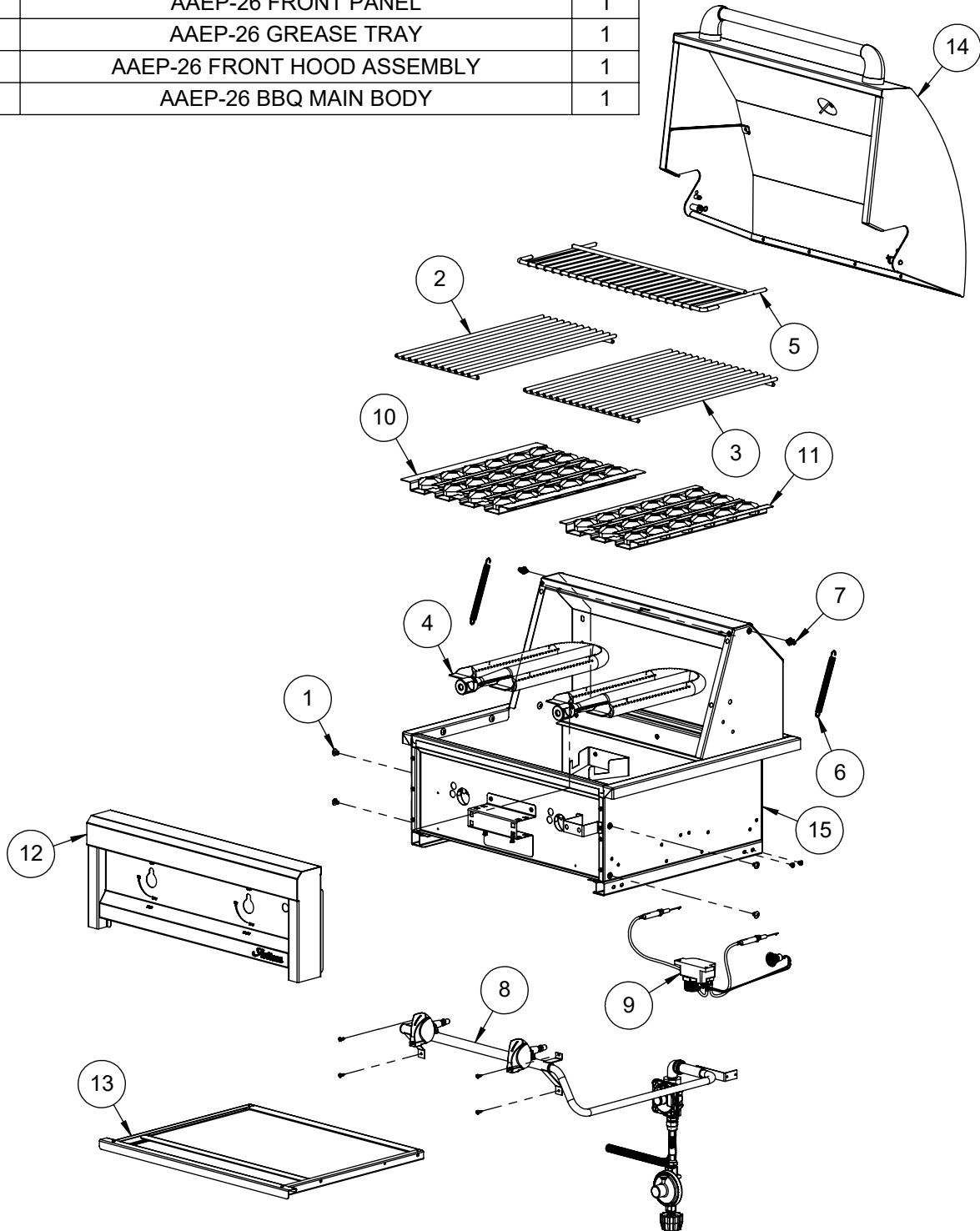


Artisan

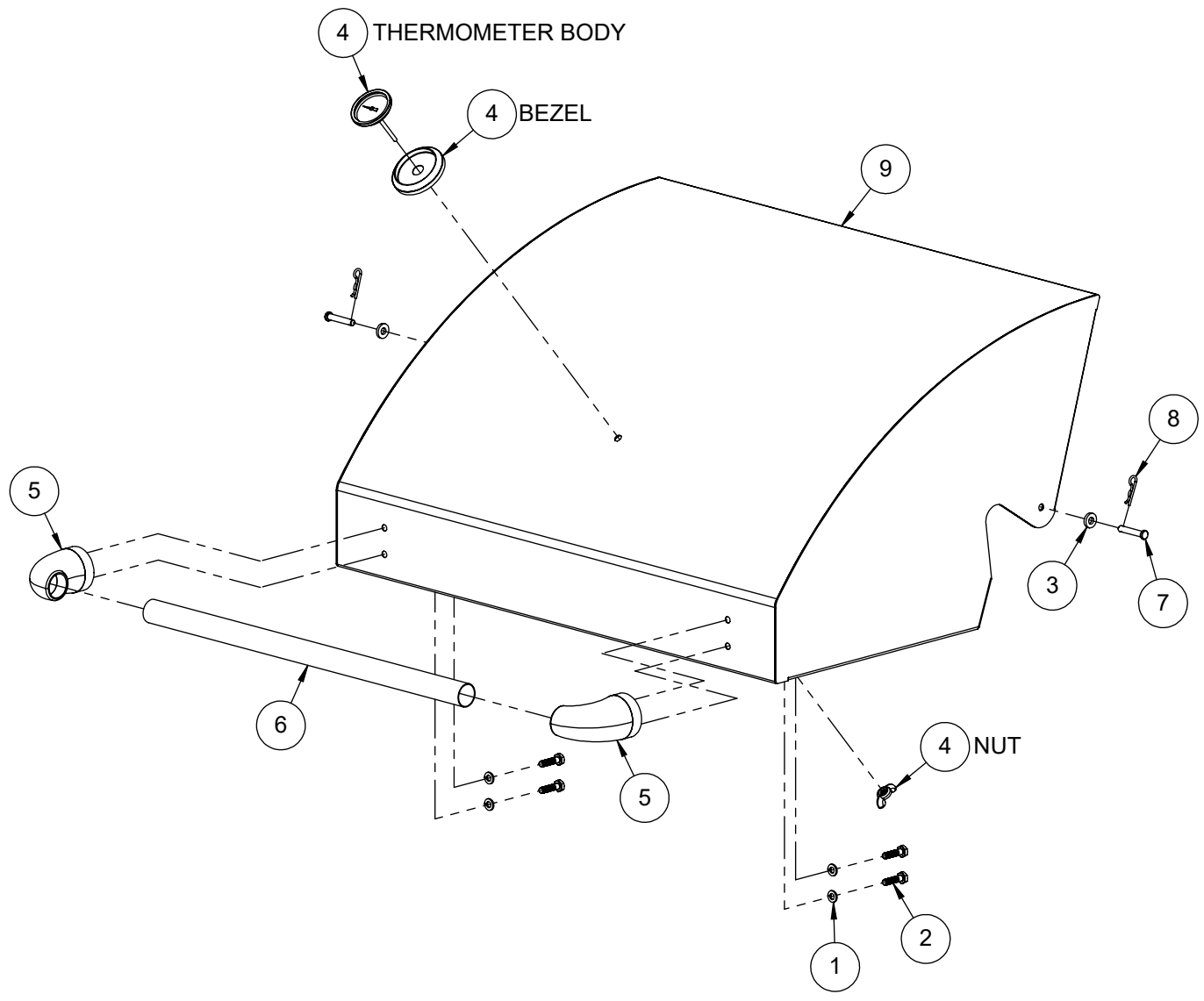


AAEP-26 Parts Manual
BUILT-IN 26" BBQ GRILL WITH DUAL BURNERS
Serial Numbers up to 17-99999

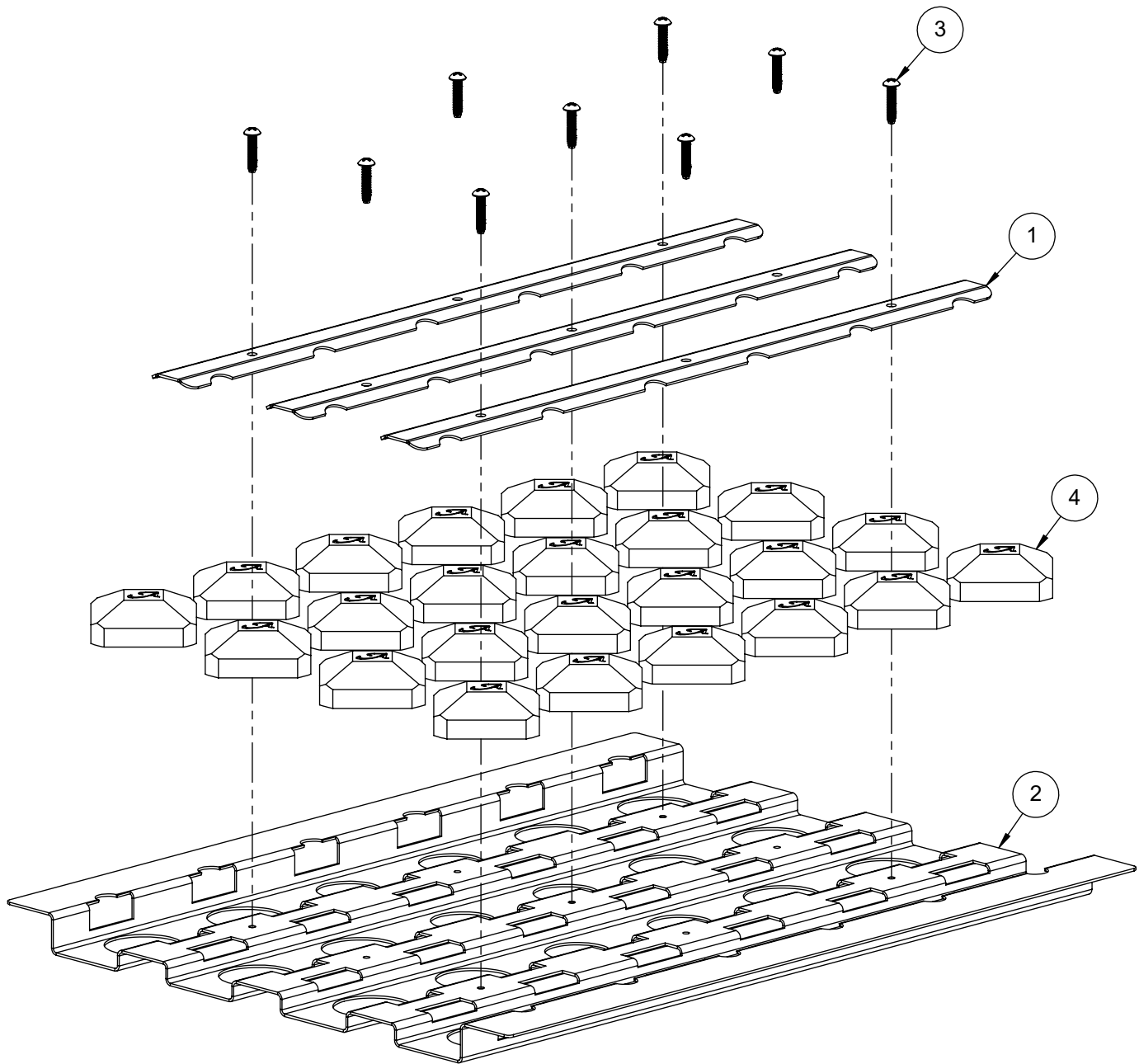
ITEM	PART NUMBER	DESCRIPTION	QTY
1	200-0086	1/4-20 X 3/8 - TRUSS HEAD - PHILIPS SCREW	4
2	290-0323	ARTISAN BBQ GRID - 9.8125" WIDE	1
3	290-0324	ARTISAN BBQ GRID - 13.8125" WIDE	1
4	290-0355	ART BBQ - U-BURNER	2
5	290-0361	ART-26 WARMING GRID	1
6	290-0443	SPRING TEMPERED- .513 OD x 4.875 L	2
7	290-0447	ARTP HOOD SPRING LATCH	2
8	510-0845	AAE-26 GAS MANIFOLD	1
9	510-0846	AAEP-26 IGNITER COMPONENTS	1
10	510-1024	ARTP - BRIQUETTE TRAY ASSEMBLY - 13 1/2"	1
11	510-1025	ARTP - BRIQUETTE TRAY ASSEMBLY - 9-3/4"	1
12	510-1035	AAEP-26 FRONT PANEL	1
13	510-1039	AAEP-26 GREASE TRAY	1
14	510-1041	AAEP-26 FRONT HOOD ASSEMBLY	1
15	510-1043	AAEP-26 BBQ MAIN BODY	1



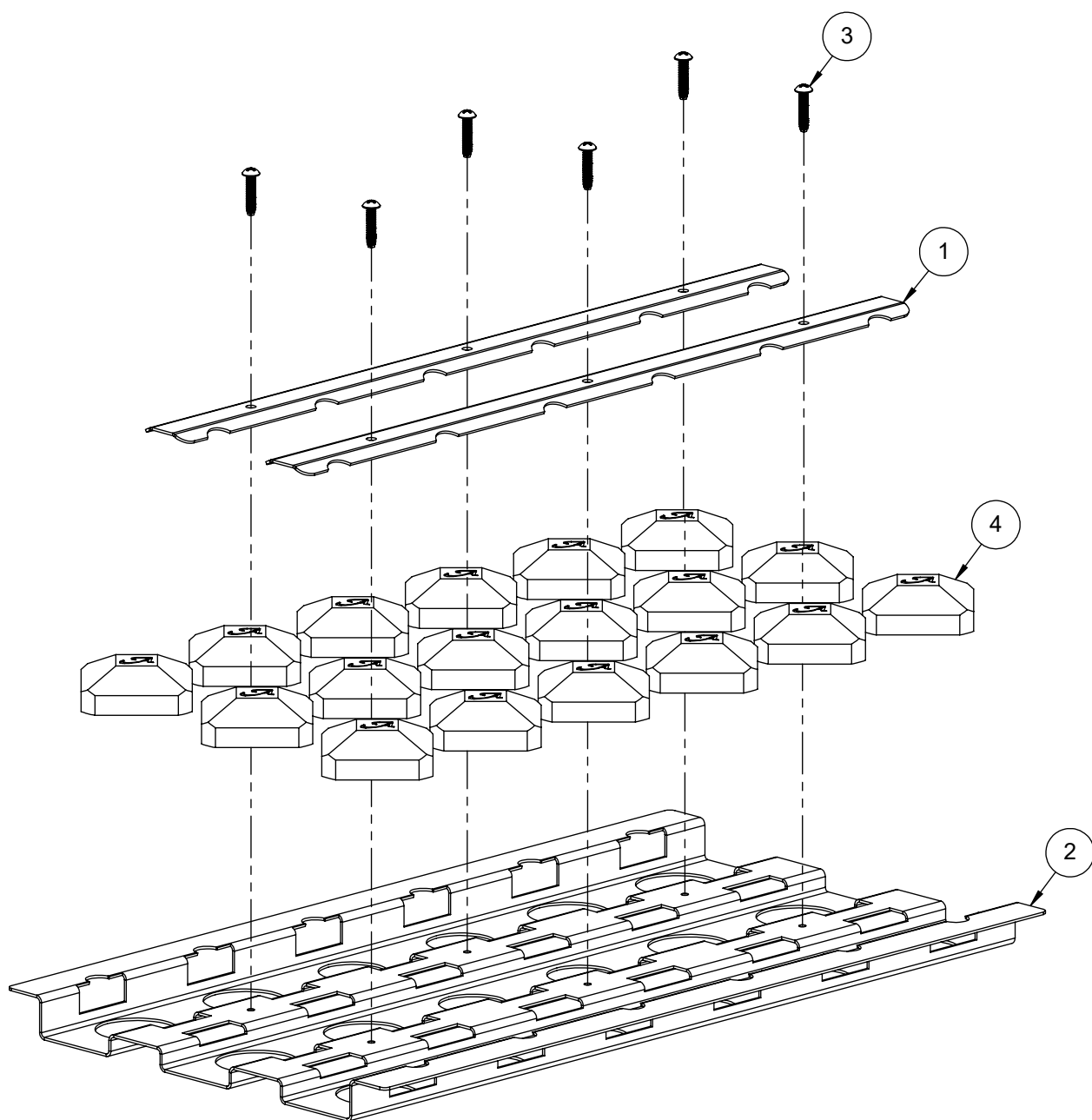
ITEM	PART NUMBER	DESCRIPTION	QTY
1	200-0087	WASHER - 1/4" SPRING LOCK- REGULAR - SS	4
2	200-0091	HH- HD - 1/4-20 x 1 x .75 THREAD	4
3	200-0092	1/4 X 1/8 X 5/8 FLAT WASHER - SPACER	2
4	210-0490	ARTISAN THERMOMETER ASSEMBLY	1
5	290-0063	HANDLE - END CAP ASSEMBLY	2
6	290-0326	ARTISAN 26" BBQ - FRONT HOOD HANDLE BAR	1
7	290-0445	CLEVIS PIN - 1/4"Ø x 1-3/8	2
8	290-0448	COTTER PIN - HAIRPIN 1/4" ~ 3/8" Pin Ø x 1-1/4" L x 5/64" WIRE	2
9	510-1042	AAEP-26 FRONT HOOD - WELDED PARTS	1



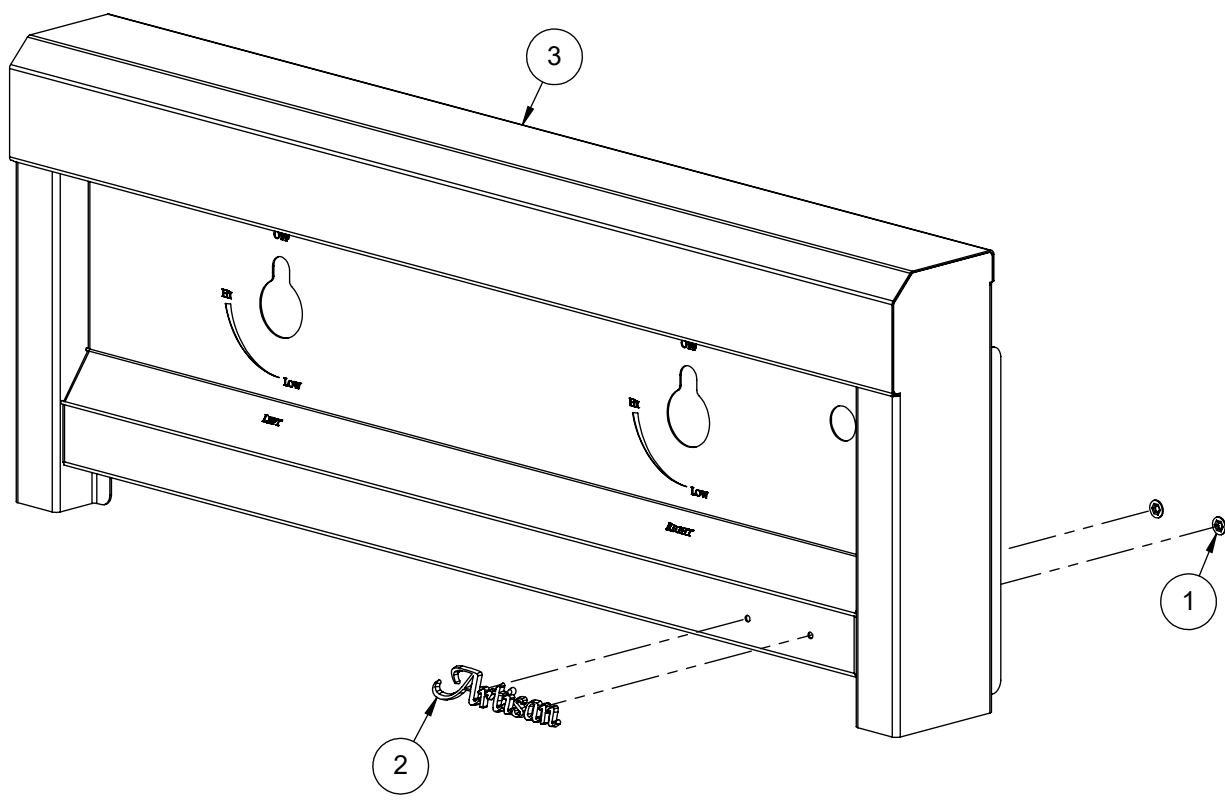
ITEM	PART NUMBER	DESCRIPTION	QTY
1	100-1895	ALX2 - BRIQUETTE LOCK BAR	3
2	100-2668	ARTP - BRIQUETTE TRAY BASE - 13 1/2" WIDE	1
3	200-0312	SCREW 8-32 x 3/4"- PAN HEAD - PHILLIPS - THREAD CUTTER TYPE F	9
4	265-0005	BRIQUETTE - ALFRESCO CUSTOM	24



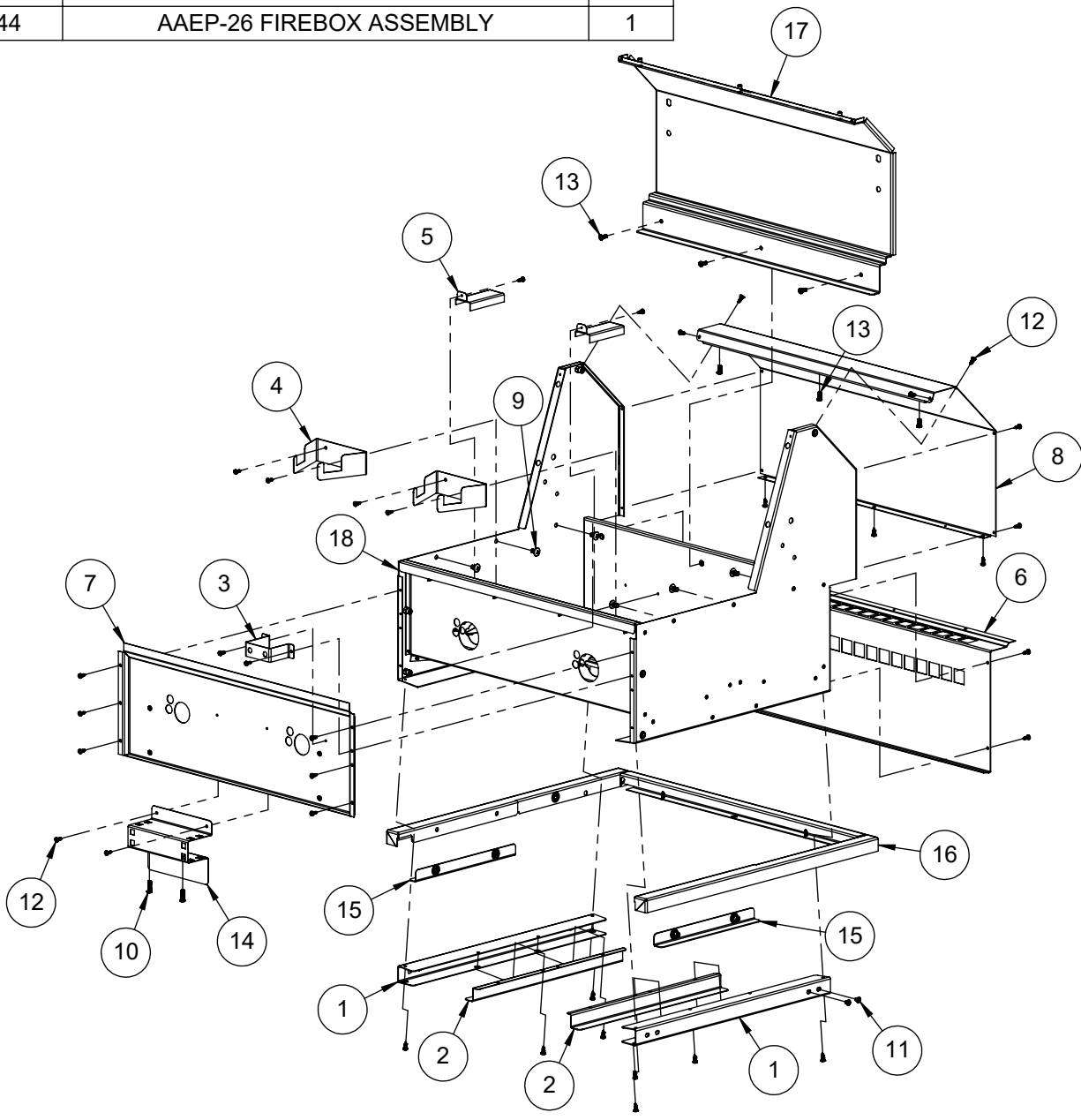
ITEM	PART NUMBER	DESCRIPTION	QTY
1	100-1895	ALX2 - BRIQUETTE LOCK BAR	2
2	100-2669	ARTP - BRIQUETTE TRAY BASE	1
3	200-0312	SCREW 8-32 x 3/4" - PAN HEAD - PHILLIPS - THREAD CUTTER TYPE F	6
4	265-0005	BRIQUETTE - ALFRESCO CUSTOM	18



ITEM	PART NUMBER	DESCRIPTION	QTY
1	200-0093	WASHER - PUSH LOCK 1/8" ID X 3/8" OD (LOGO)	2
2	290-0356	ARTISAN LOGO	1
3	510-1036	AAEP-26 FRONT PANEL ASSEMBLY - WELDED PARTS	1



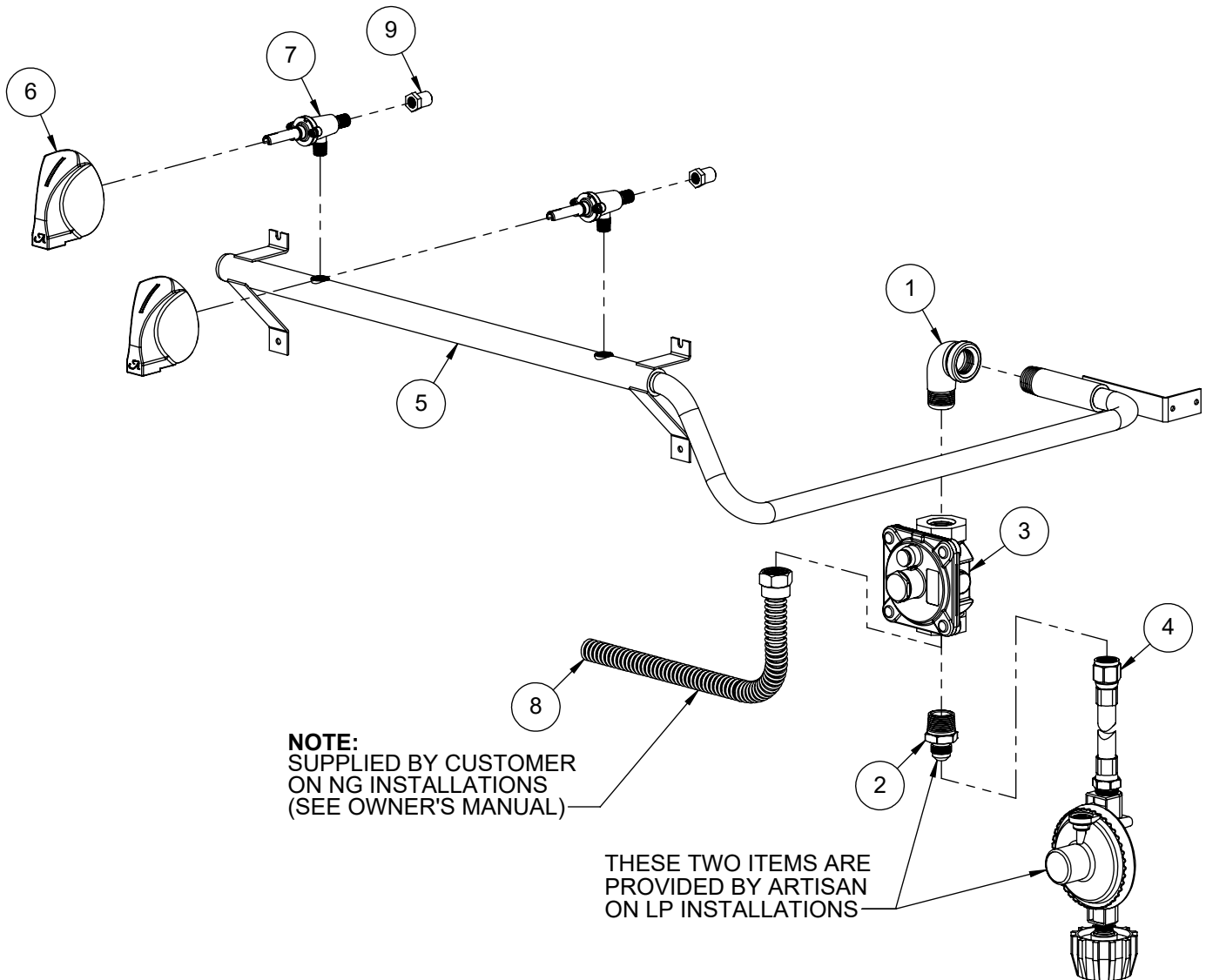
ITEM	PART NUMBER	DESCRIPTION	QTY
1	100-2024	FIREBOX TRAY SLIDE PART-A	2
2	100-2025	FIREBOX TRAY SLIDE PART-B	2
3	100-2038	ARTISAN IGNITER & LIGHT SWITCH BRACKET	1
4	100-2373	ART - BURNER BRACKET	2
5	100-2374	ART - IGNITER COVER - STANDARD	2
6	100-2412	AAE-26 FIREBOX REAR COVER	1
7	100-2413	AAE-26 FIREWALL	1
8	100-2702	AAEP-26 BACK HOOD - REAR COVER	1
9	200-0057	SCREW 1/4-20 X 1/2 - TRUSS HEAD - PHILLIPS	6
10	200-0062	10-32 X 3/4 - PAN HEAD - PHILLIPS SCREW	2
11	200-0082	10-32 X 1/4 - PAN HEAD - PHILLIPS SCREW	2
12	200-0111	SCREW 8-18 X 1/2 - SELF TAP - 410 SS	49
13	200-0267	10-32 X 1/2 - PAN HEAD - PHILLIPS SCREW	6
14	510-0567	ARTISAN IGNITER BRACKET	1
15	510-0748	ART - PERIMETER MOUNTING BRACKET	2
16	510-0760	AAE-26 PERIMETER RING	1
17	510-0774	AAE-26 BACK PANEL ASSEMBLY	1
18	510-1044	AAEP-26 FIREBOX ASSEMBLY	1



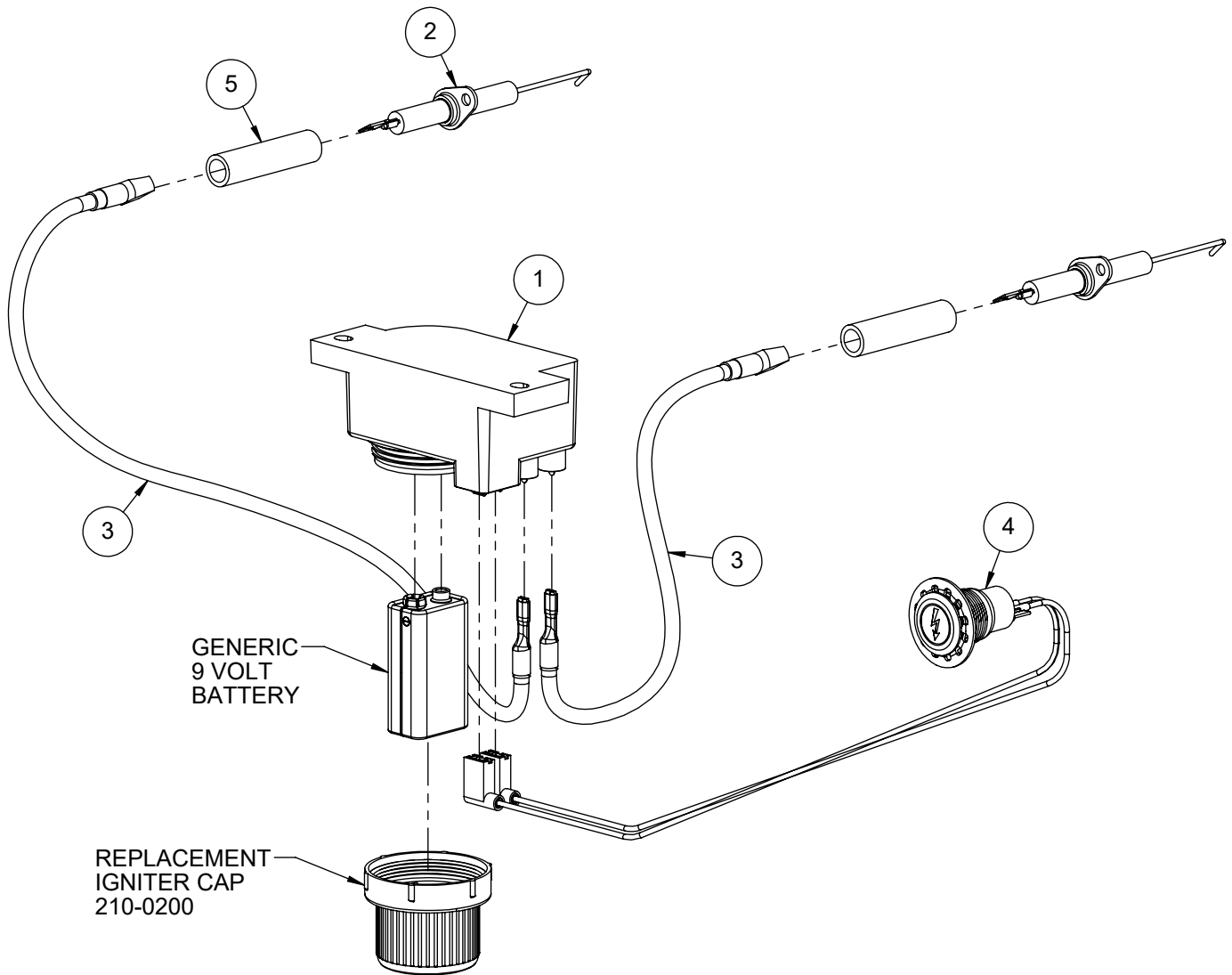
ITEM	PART NUMBER	DESCRIPTION	QTY
1	200-0274	ELBOW 90°- CAST IRON - 1/2" FPT x 1/2" MPT	1
2	220-0275	NIPPLE - 1/2" MPT X 3/8" OD FL	1
3	220-0280	REGULATOR GAS - MAXITROL RV48CL440002	1
4	220-0301	REGULATOR - LP GAS W/36" HOSE - CONN. GREEN	1
5	220-0433	GAS MANIFOLD - ART2-26 / AAE-26	1
6	290-0030	ARTISAN GAS KNOB WITH "A" LOGO	2
7	290-0320	VALVE - GAS - VARIABLE FLOW - 1/8-27 MPT X 1/8-27 NPTS	2
8	SEE NOTE	1/2" ODF - FLEX SS GAS LINE (BY CUSTOMER)	1
9	SEE NOTE	ORIFICE - MAIN BURNER - (SEE NOTE FOR SIZING)	2

NOTE: ORIFICE OR VALVE ASSEMBLY TO CHANGE ACCORDING TO FUEL SUPPLY: NATURAL GAS OR LIQUID PROPANE

ITEM	NG	LP
	PART #	PART #
9	220-0283	220-0284



ITEM	PART NUMBER	DESCRIPTION	QTY
1	210-0195	IGNITER MODULE - 2 POINTS (WITH CAP)	1
2	210-0491	ARTISAN U-BURNER ELECTRODE TIP	2
3	210-0540	AAE-26 IGNITER WIRE KIT	1
4	210-0586	SWITCH - IGNITION - MOMENTARY [ON]/OFF	1
5	SEE NOTE	INSULATION SLEEVE - SILICONE 7/16" OD x 5/16" ID x 1-3/4" L	2



NOTE:

ITEM (5) IS INCLUDED IN IGNITER KIT 210-0540 (ITEMS ARE NOT SOLD SEPARATELY)