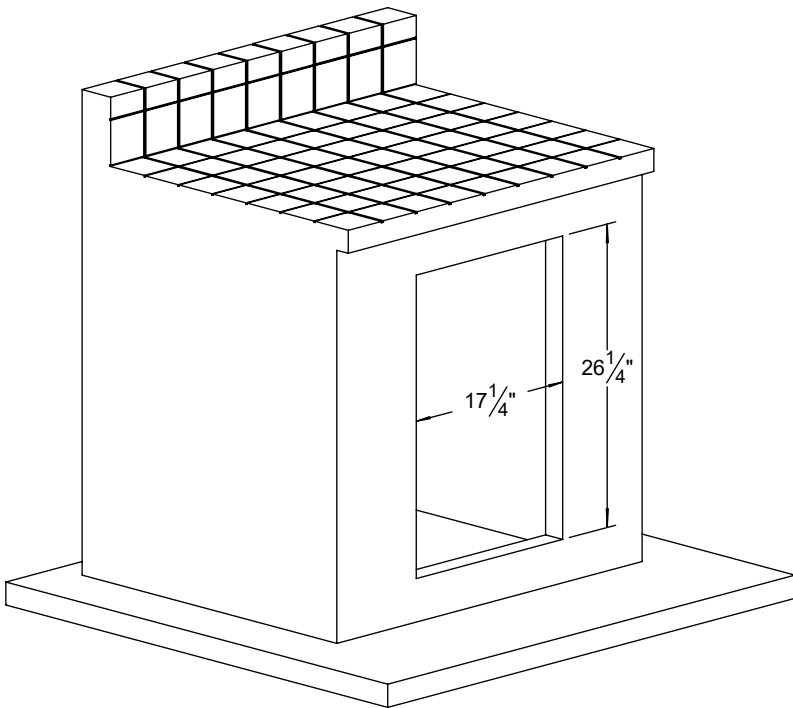


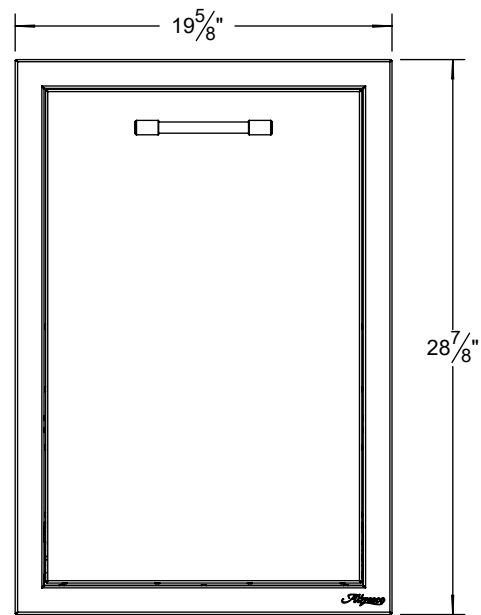
AXE-TC2D UNIT

TYPICAL AB-TC2 INSTALLATION

COUNTER FRONT CUTOUT REQUIREMENTS



17 1/4" 26 1/4"

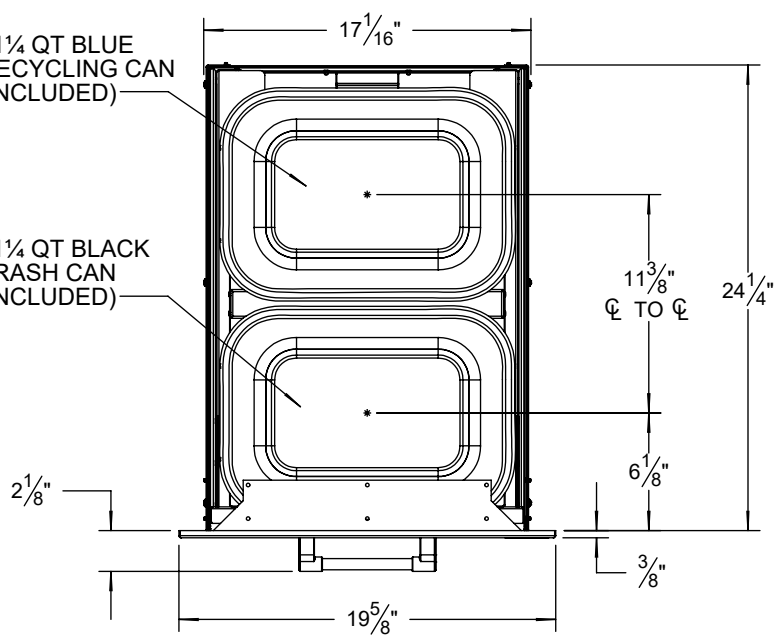


19 5/8"

28 7/8"

41 1/4 QT BLUE RECYCLING CAN (INCLUDED)

41 1/4 QT BLACK TRASH CAN (INCLUDED)



17 1/16"

24 1/4"

11 3/8" ϕ TO ϕ

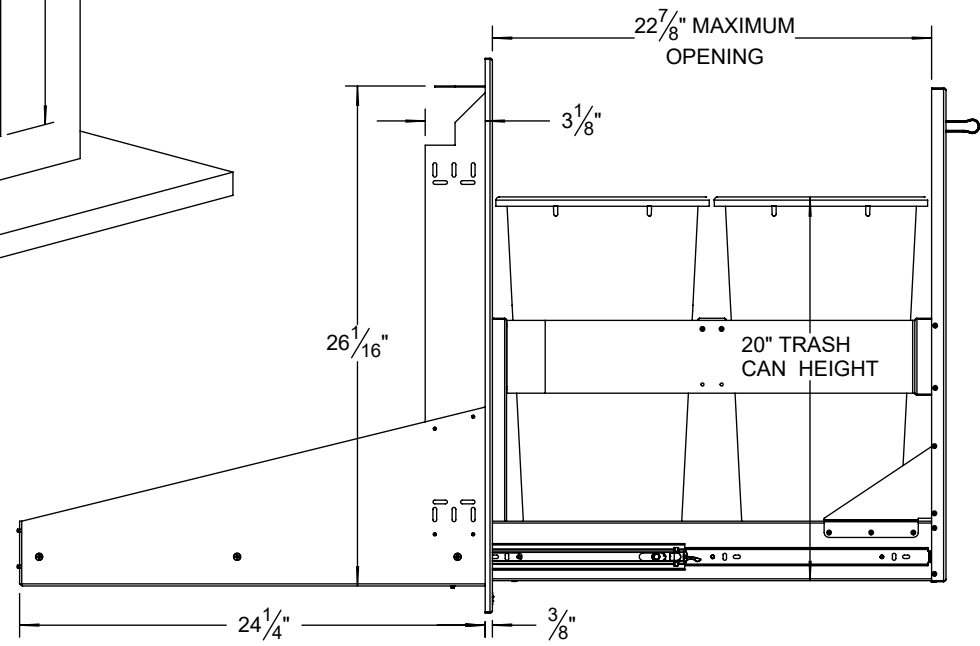
2 1/8"

6 1/8"

3/8"

19 5/8"

22 7/8" MAXIMUM OPENING



3 1/8"

26 1/16"

20" TRASH CAN HEIGHT

24 1/4"

3/8"



SUPERIOR EQUIPMENT SOLUTIONS
7039 EAST SLAUSON AVENUE
COMMERCE, CA. 90040

THE INFORMATION CONTAINED IN THIS DRAWING IS THE SOLE PROPERTY OF SUPERIOR EQUIPMENT SOLUTIONS INC. ANY REPRODUCTION IN PART OR AS A WHOLE WITHOUT WRITTEN PERMISSION FROM SUPERIOR EQUIPMENT SOLUTIONS, INC. IS PROHIBITED.

DRAWN BY: ADRIAN CRISCI
CREATED: 09/29/2016 2:11 PM

PROJECT TITLE:
AXE-TC2D

DRAWING TITLE:
AXE-TC2D TRASH CENTER SPECIFICATIONS

DRAWING NO.:
AXE-TC2D - SPEC SHEET