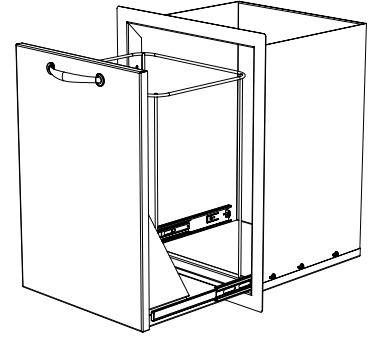
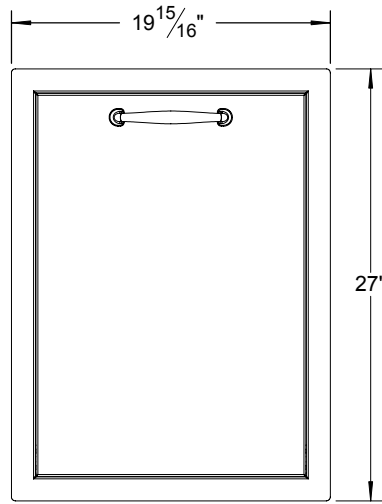


IATSH TYPICAL INSTALLATION



COUNTER FRONT CUTOUT REQUIREMENTS

