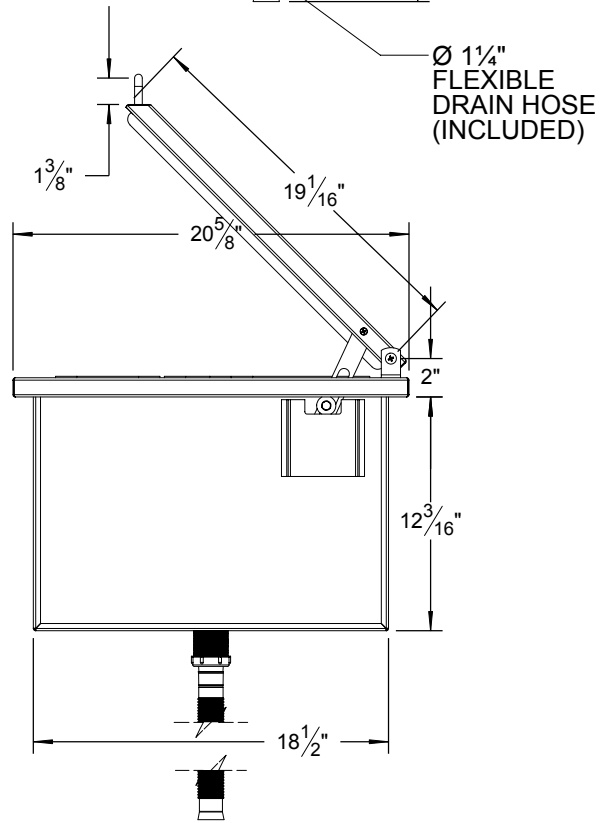
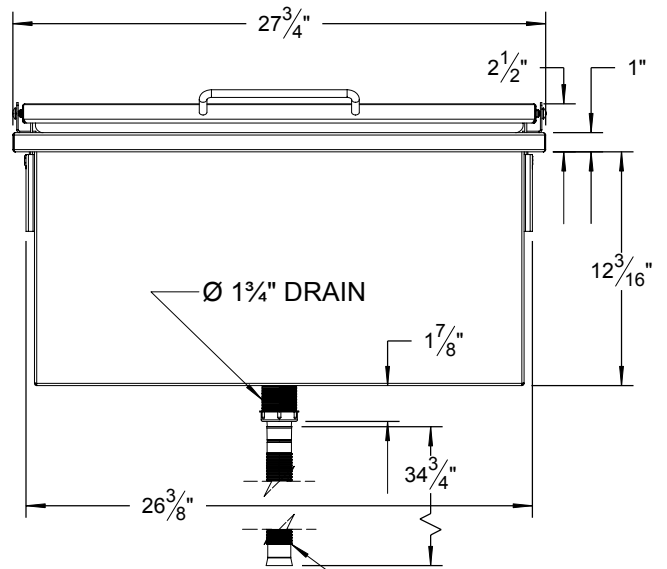
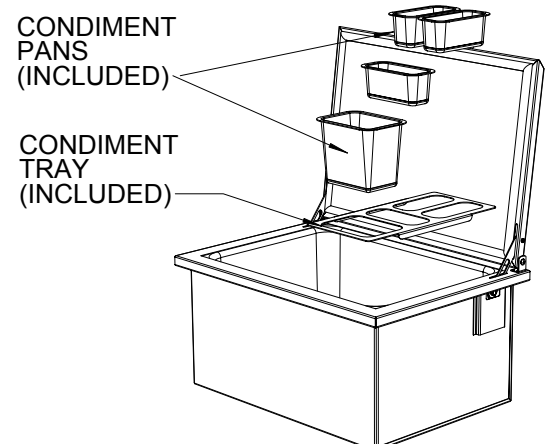
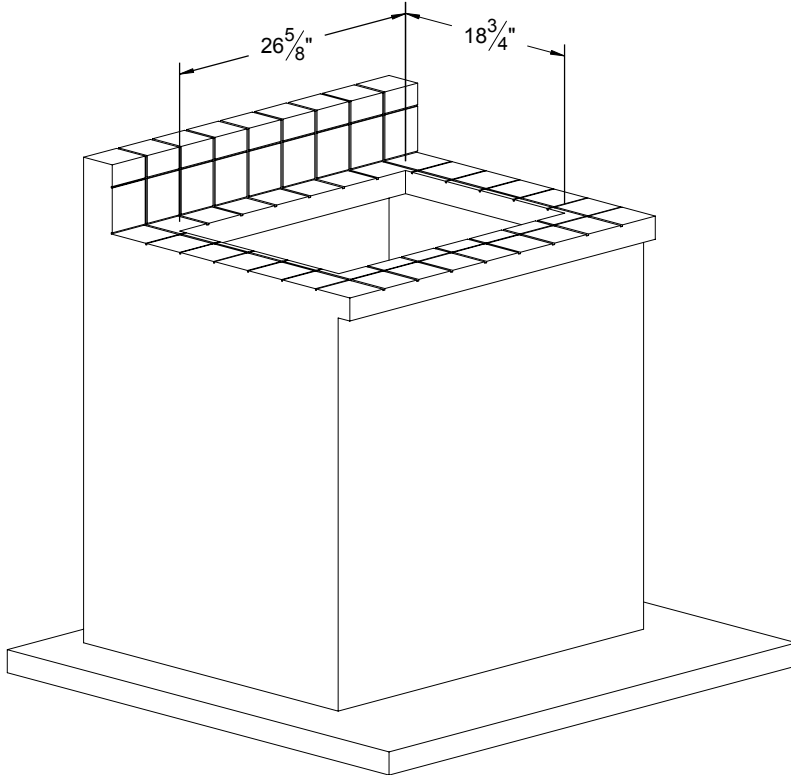


**IAIC TYPICAL INSTALLATION**



**COUNTER CUTOUT REQUIREMENTS**



**NOTE:**  
THE COUNTER MUST HAVE A DRAIN FOR THE ICE CHEST UNIT TO BE INSTALLED PROPERLY.

THE IAIC UNIT IS PROVIDED WITH DRAIN, CAP, P-TRAP AND FLEXIBLE HOSE FOR PROPER CONNECTION.

**Alfresco**<sup>™</sup>

SUPERIOR EQUIPMENT SOLUTIONS  
7039 EAST SLAUSON AVENUE  
COMMERCE, CA. 90040

THE INFORMATION CONTAINED IN THIS DRAWING IS THE SOLE PROPERTY OF SUPERIOR EQUIPMENT SOLUTIONS INC. ANY REPRODUCTION IN PART OR AS A WHOLE WITHOUT WRITTEN PERMISSION FROM SUPERIOR EQUIPMENT SOLUTIONS, INC. IS PROHIBITED.

**DRAWN BY:** ADRIAN CRISCI  
**CREATED:** October 23, 2007 11:15:23 AM

**PROJECT TITLE:** IAIC

**DRAWING TITLE:**

**IAIC - ICE CHEST SPECIFICATIONS**

**DRAWING NO.:**

**IAIC - SPEC SHEET**