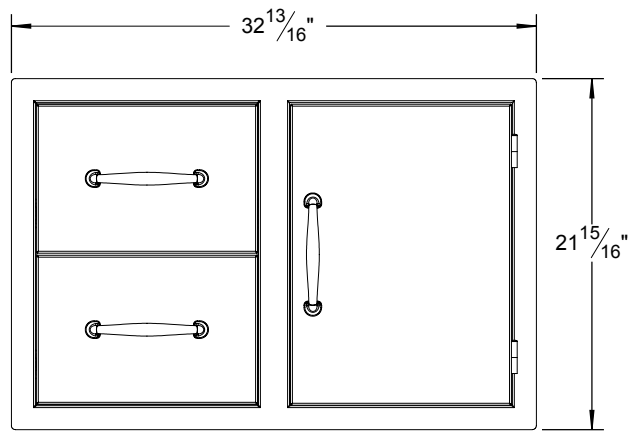


IACBO TYPICAL INSTALLATION



COUNTER FRONT CUTOUT REQUIREMENTS

