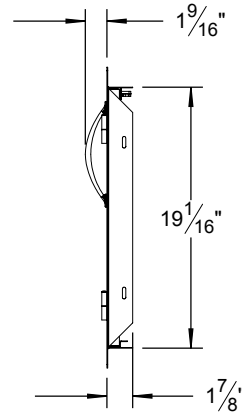
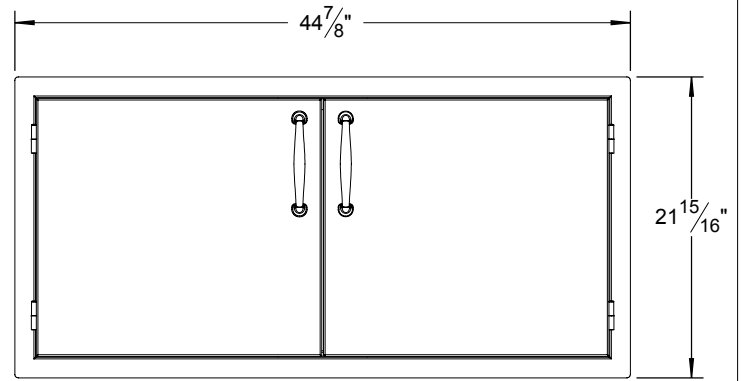


IA422D TYPICAL INSTALLATION



COUNTER FRONT CUTOUT REQUIREMENTS

