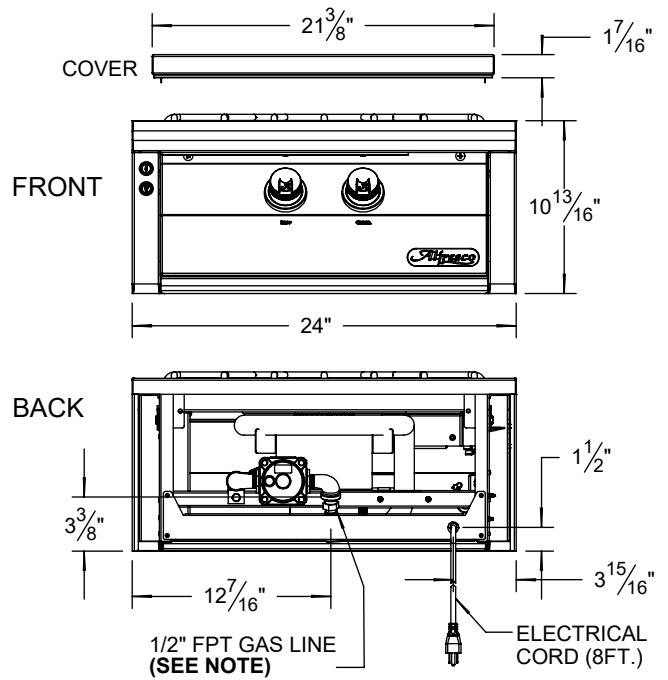
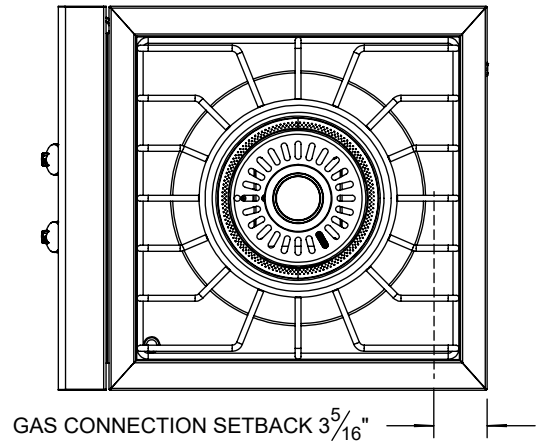
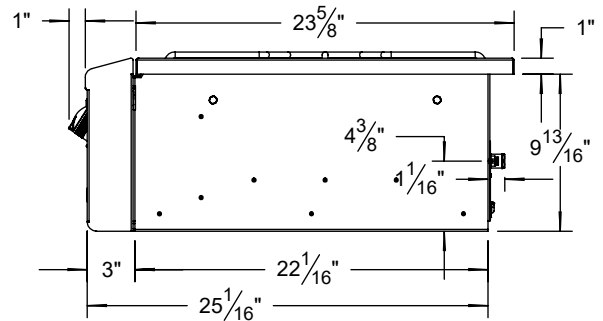
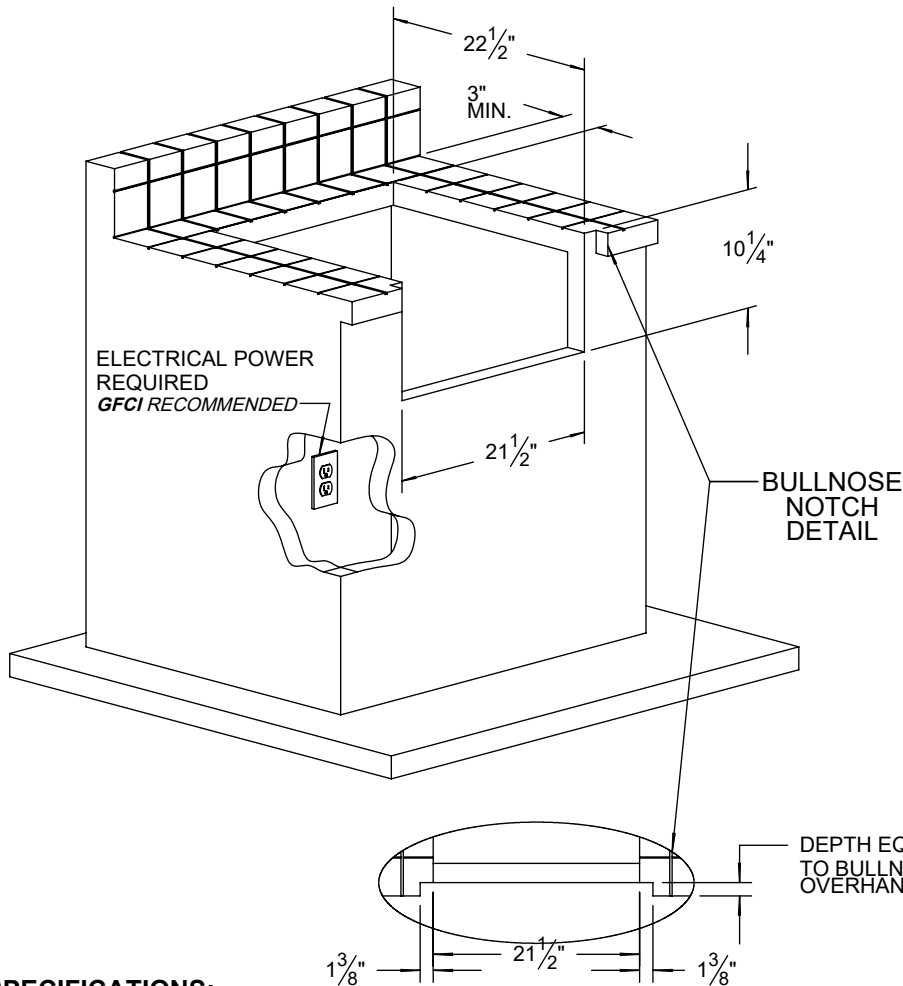


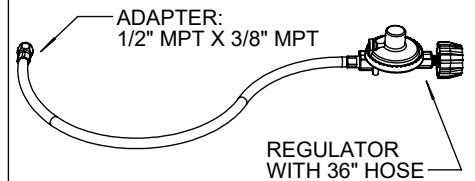
**AXEVP TYPICAL INSTALLATION**



**COUNTERTOP CUTOUT REQUIREMENTS**



**LP GAS SETUP:**



**NOTE:**  
STANDARD UNIT HAS A NATURAL GAS (NG) CONNECTION WITH 1/2" NPT FITTING.  
IF LIQUID PROPANE (LP) OPTION IS ORDERED THE UNIT IS SUPPLIED WITH A REGULATOR, HOSE AND ADAPTER FITTING AS SHOWN.

**SPECIFICATIONS:**

BTUH = 65,000  
FUEL = NG @ 5' W.C. OR LP @ 10" W.C.  
ELECTRICAL POWER = 115 VAC - 50/60 Hz. - 10 mA  
GAS CONNECTION = 1/2" NPT (NG) OR 3/8" ODF (LP)



THE INFORMATION CONTAINED IN THIS DRAWING IS THE SOLE PROPERTY OF SUPERIOR EQUIPMENT SOLUTIONS INC. ANY REPRODUCTION IN PART OR AS A WHOLE WITHOUT WRITTEN PERMISSION FROM SUPERIOR EQUIPMENT SOLUTIONS, INC. IS PROHIBITED.

**DRAWN BY: ADRIAN CRISCI**  
**CREATED: 04/30/2018 11:03 AM**

PROJECT TITLE:  
**AXEVP**

DRAWING TITLE:  
**AXEVP SPECIFICATION SHEET (SN° 18-00000 & FORWARD)**

DRAWING NO.: **AXEVP (REV-A) - SPEC SHEET**  
SHEET 1 OF 1