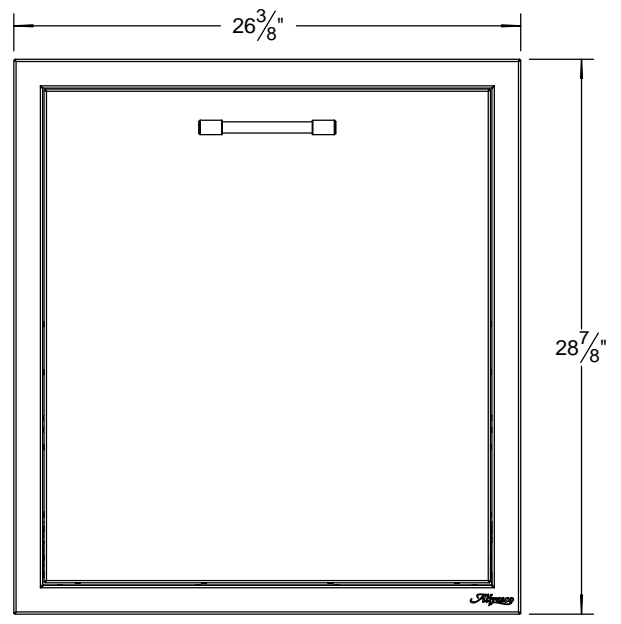
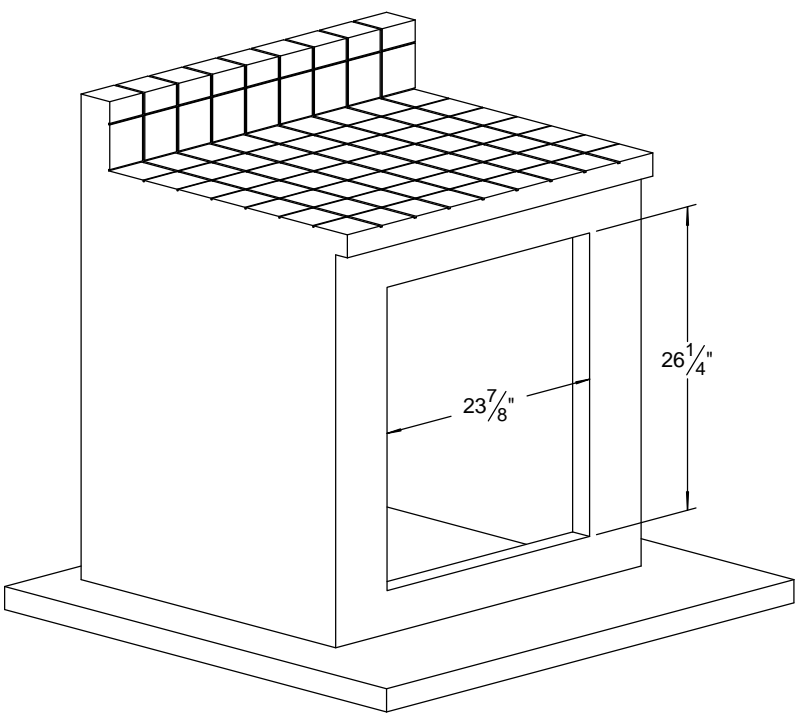


AB-TC2 UNIT

TYPICAL AXE-TC2 INSTALLATION



COUNTER FRONT CUTOUT REQUIREMENTS



41 1/4 QT BLACK TRASH CAN (INCLUDED)

41 1/4 QT BLUE RECYCLING CAN (INCLUDED)

