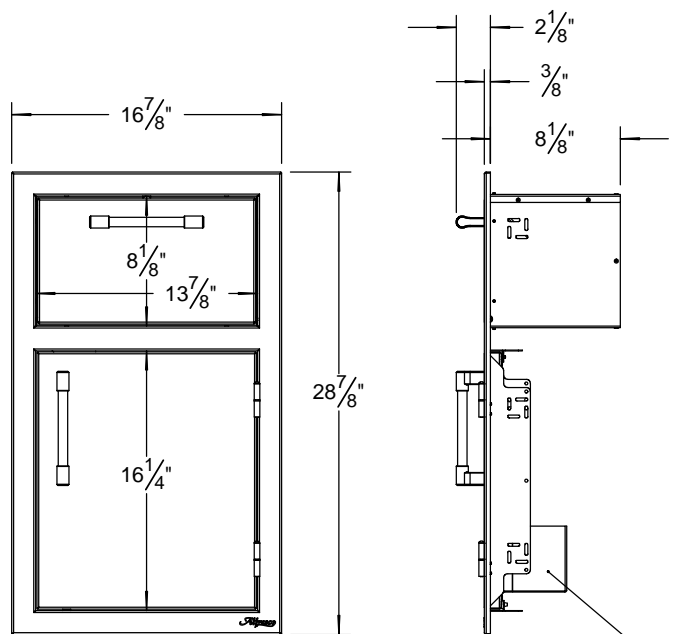
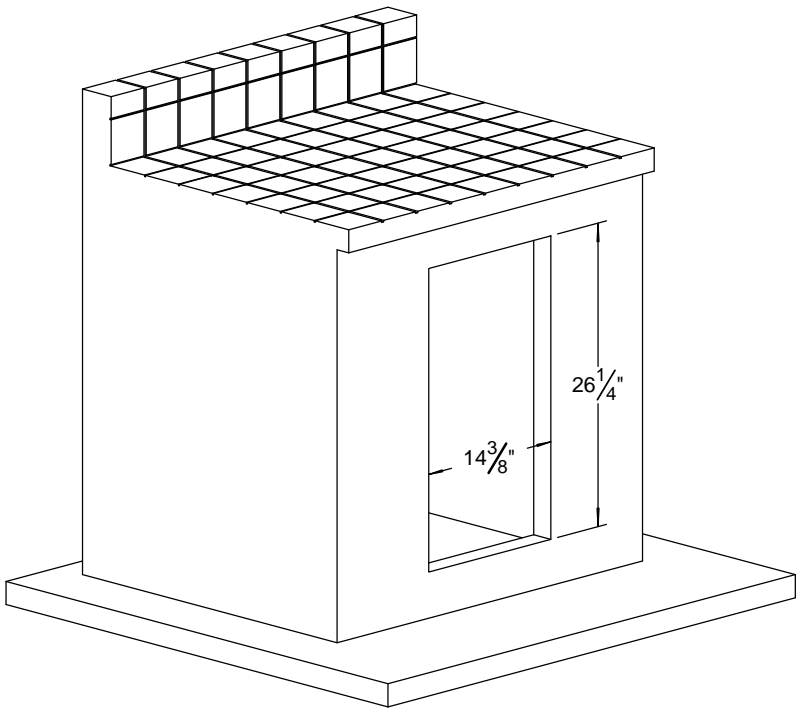
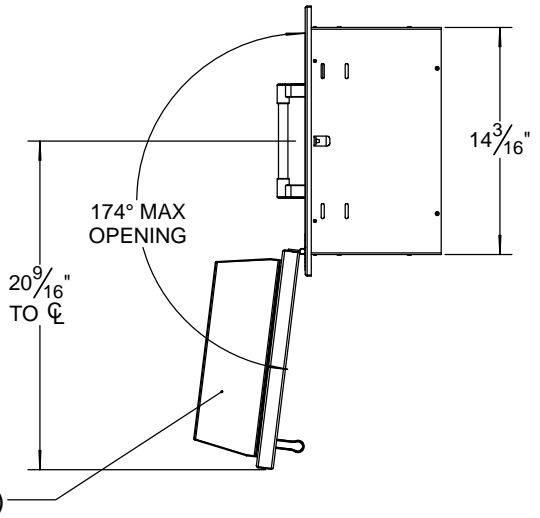
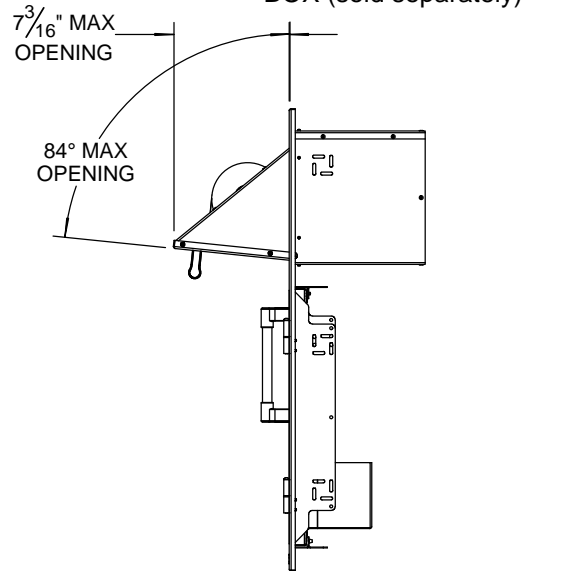


AXE-DTH-R-Rev 1 - TYPICAL INSTALLATION

COUNTER FRONT CUTOUT REQUIREMENTS



**XEDS-4
DOOR ACCESSORY
BOX (sold separately)**



**XEDS-4
DOOR ACCESSORY
BOX (sold separately)**



SUPERIOR EQUIPMENT SOLUTIONS
7039 EAST SLAUSON AVENUE
COMMERCE, CA. 90040

THE INFORMATION CONTAINED IN THIS DRAWING IS THE SOLE PROPERTY OF SUPERIOR EQUIPMENT SOLUTIONS INC. ANY REPRODUCTION IN PART OR AS A WHOLE WITHOUT WRITTEN PERMISSION FROM SUPERIOR EQUIPMENT SOLUTIONS, INC. IS PROHIBITED.

DRAWN BY: JORGE PELAYO
CREATED: Monday, April 16, 2018

PROJECT TITLE:
AXE-DTH-R-Rev 1

DRAWING TITLE:
AXE-DTH-R-Rev 1 - SPECIFICATIONS

DRAWING NO.:
AXE-DTH-R-Rev 1 - SPEC SHEET