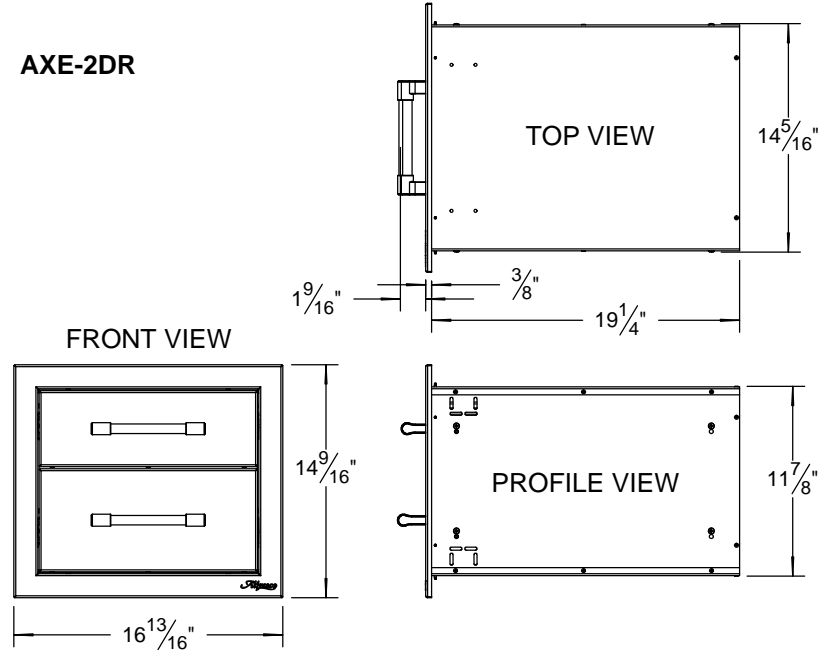
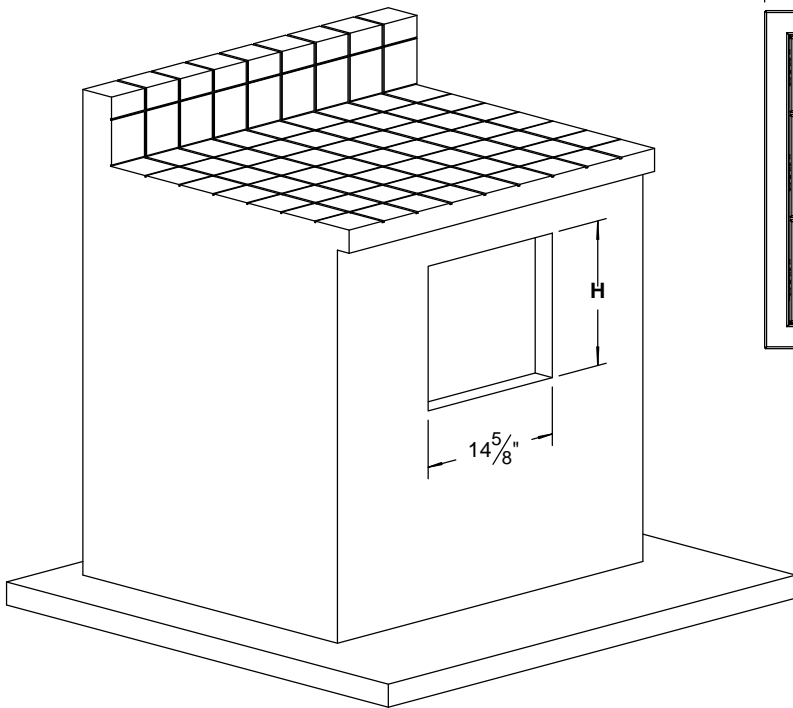


AXE DRAWER - TYPICAL INSTALLATION (AB-2DR SHOWN)

AXE-2DR



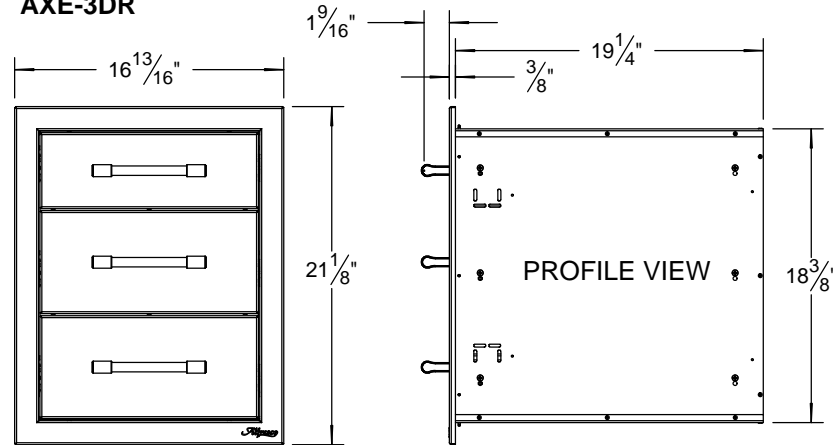
COUNTER FRONT CUTOUT REQUIREMENTS



CUTOUT HEIGHT DIMENSION (H):

- AXE-2DR = 12-1/4"
- AXE-3DR = 18-5/8"

AXE-3DR



TYPICAL DRAWER EXTENSION BOTH MODELS:

