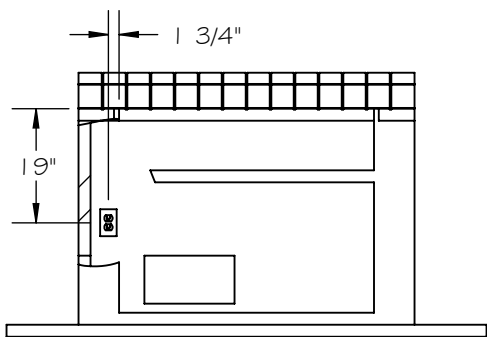
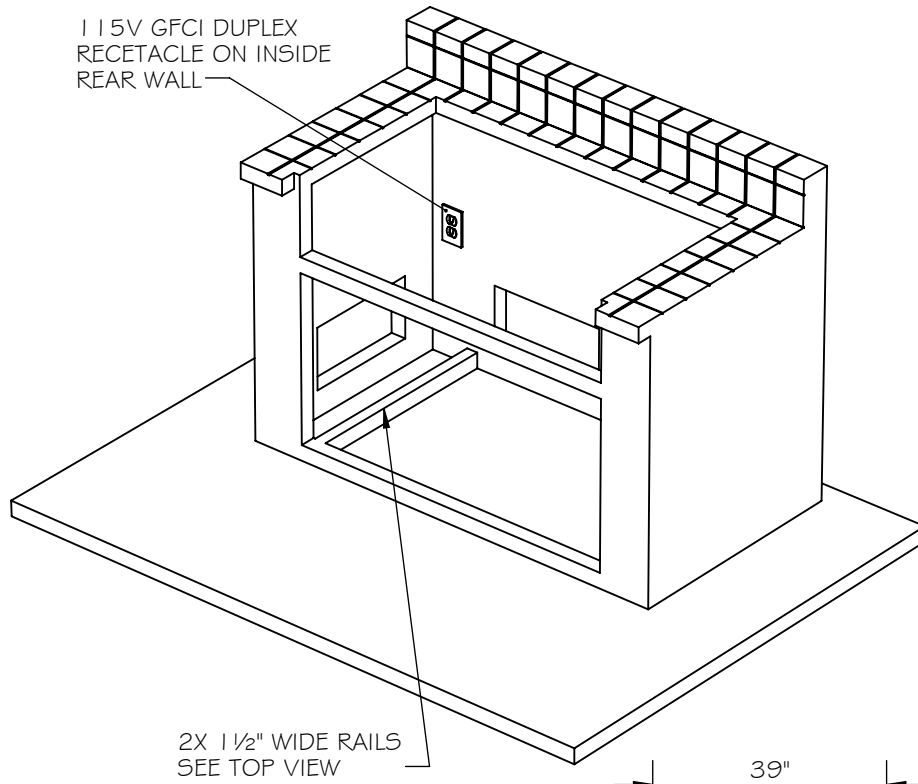


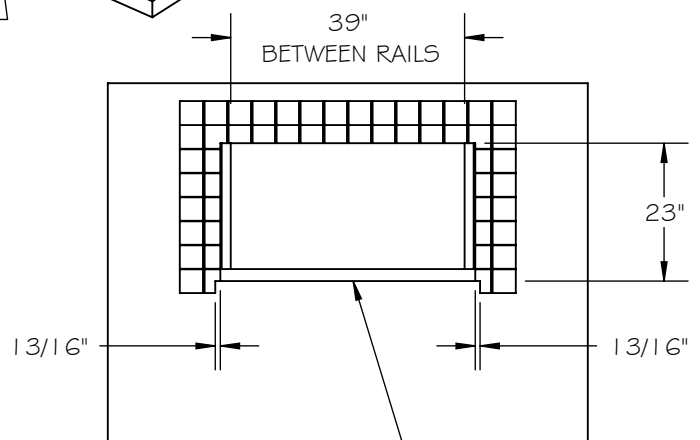
MODEL ARFG-42 SPECIFICATIONS  
Created 7-20-2005 DGS

ELECTRICAL:  
115 V  
60HZ  
1 PHASE  
6.0 AMP

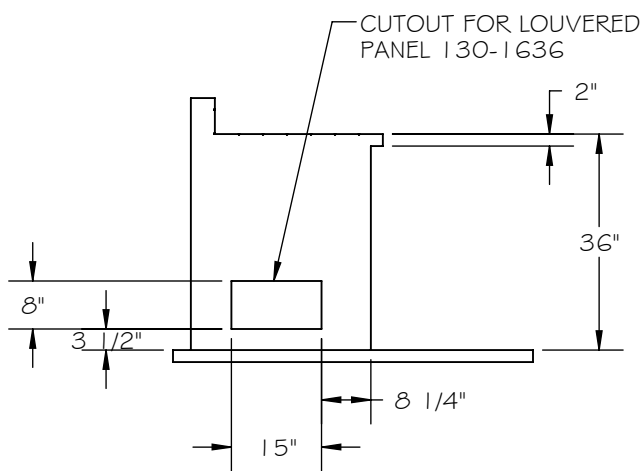
*Alfresco*  
Open Air Culinary Systems



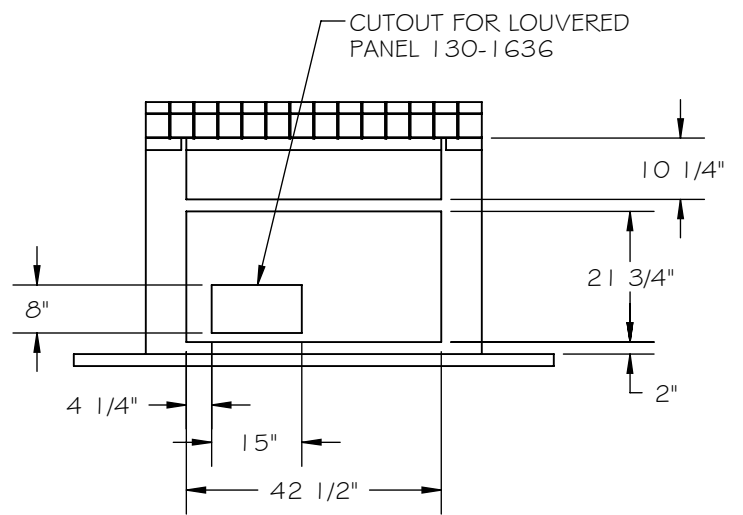
FRONT VIEW CUT AWAY TO SHOW RECEPTACLE



TOP CABINET FACE



LEFT END



FRONT VIEW



# ARFG-42 VENTILATION REQUIREMENTS

An adequate source of fresh air must be provided, along with adequate opening to exhaust hot air from the compressor and the island

NOTE: THIS DOCUMENT MUST BE PRINTED IN COLOR.

