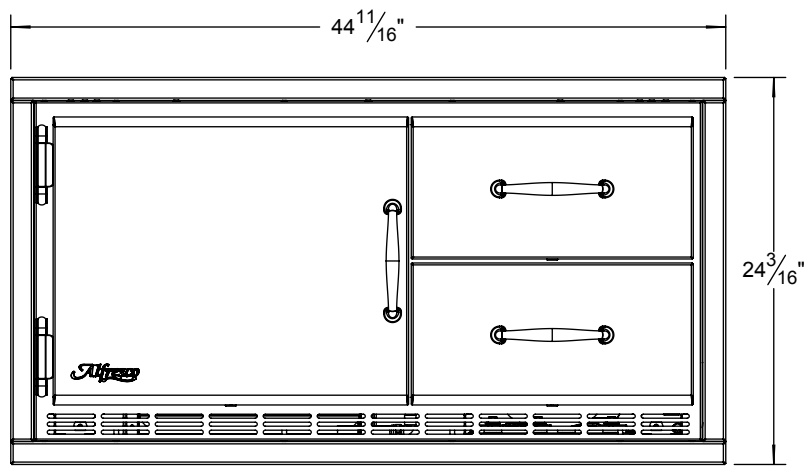
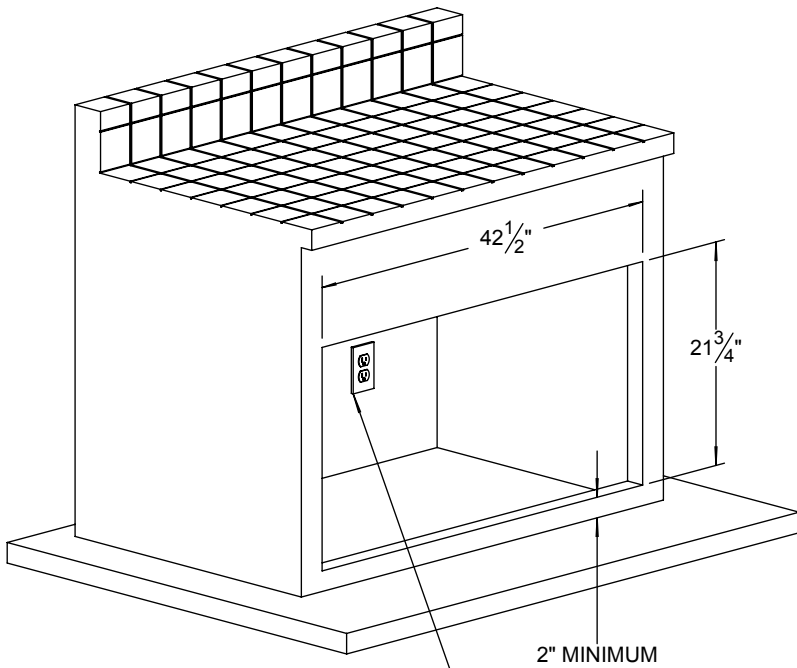
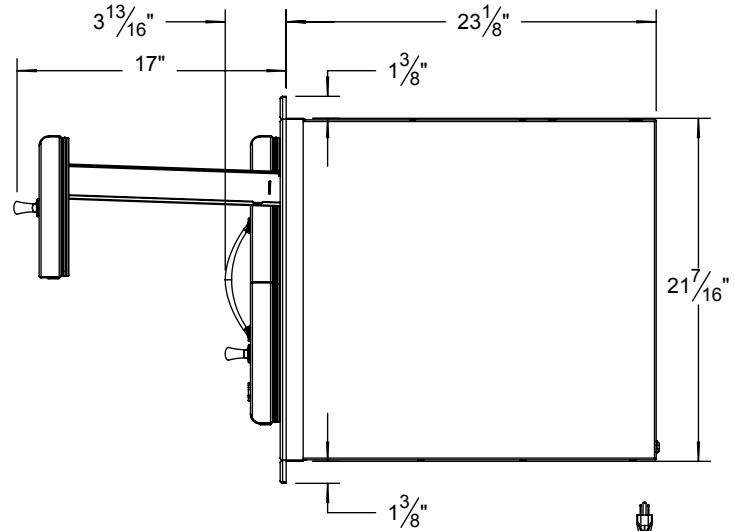


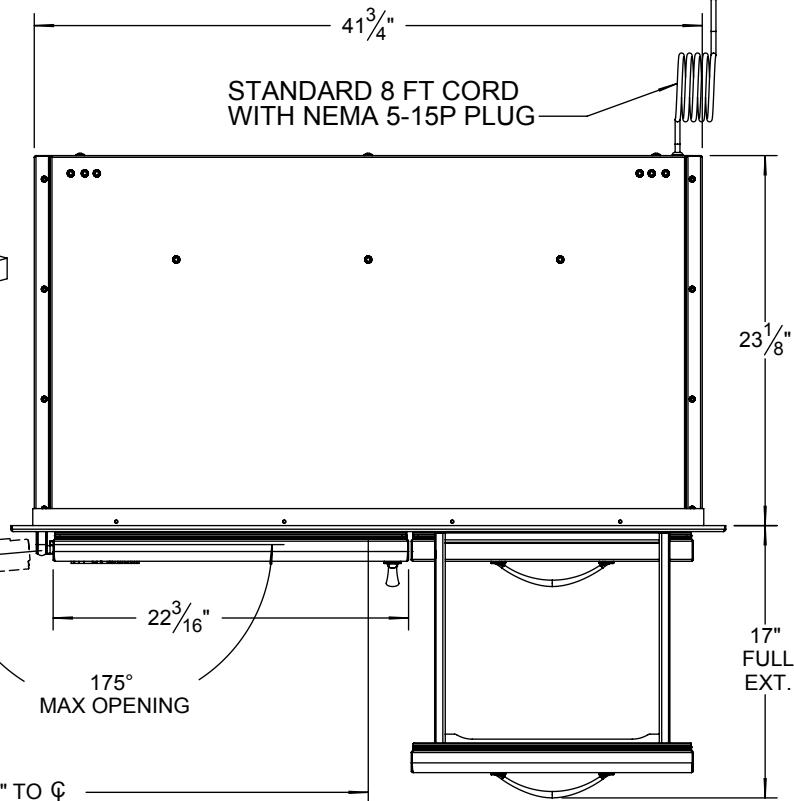
ARFG-42FB TYPICAL INSTALLATION



COUNTER FRONT CUTOUT REQUIREMENTS



GROUNDING OUTLET REQUIRED FOR PROPER OPERATION. (GFCI RECOMMENDED)



SPECIFICATIONS:
 R-134A REFRIGERANT
 115 VAC - 1Ø - 3W - 2.9 AMPS
 2.9 RLA - 8.6 LRA - 3.2 MCA
 MOC PD 15 AMPS



THE INFORMATION CONTAINED IN THIS DRAWING IS THE SOLE PROPERTY OF SUPERIOR EQUIPMENT SOLUTIONS INC. ANY REPRODUCTION IN PART OR AS A WHOLE WITHOUT WRITTEN PERMISSION FROM SUPERIOR EQUIPMENT SOLUTIONS, INC. IS PROHIBITED.

DRAWN BY: ADRIAN CRISCI
CREATED: 7/9/2009 8:51:07 AM

PROJECT TITLE:
ARFG-42FB

DRAWING TITLE:
ARFG-42FB REFRIG. SPECIFICATIONS

DRAWING NO.:
ARFG-42FB SPEC-SHEET

SHEET 1 OF 1