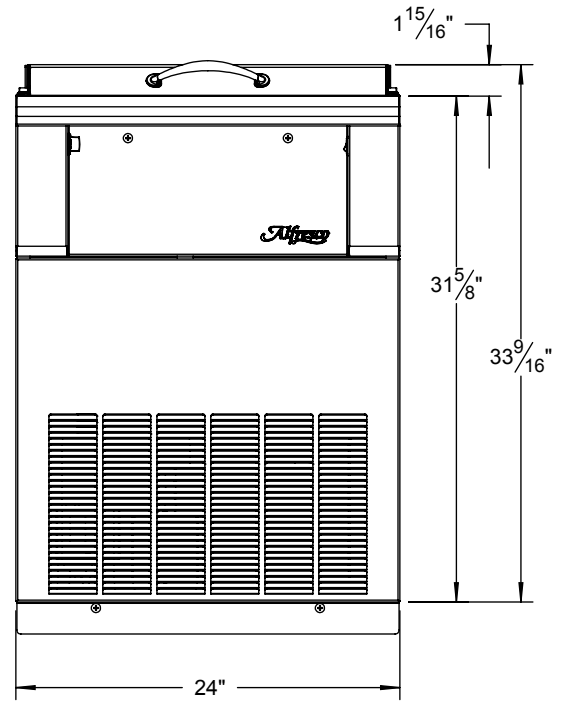
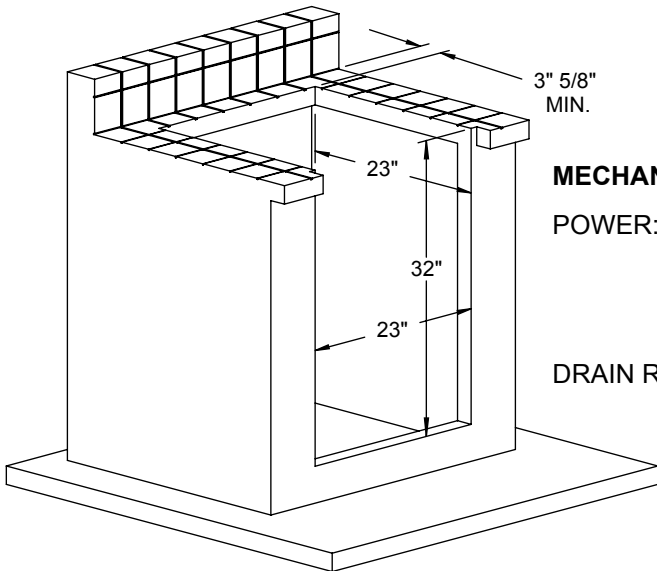


**ARDI TYPICAL INSTALLATION**



**COUNTERTOP CUTOUT REQUIREMENTS**



**MECHANICAL REQUIREMENTS:**

POWER: 115 VAC / 1Ø - 60 HZ  
 6.0 AMPS  
 GROUNDED NEMA 5-15  
 RECEPTACLE  
 GFCI RECOMMENDED.

DRAIN REQUIRED.

