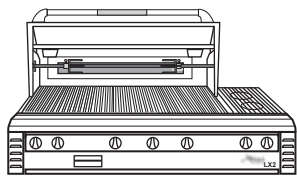


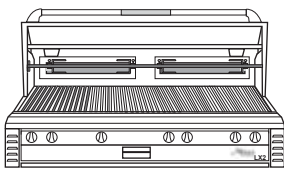
# ALX2 SERIES GRILL SPECIFICATIONS

ALX2-56  
ALX2-56C  
ALX2-56SZ  
ALX2-56SZC

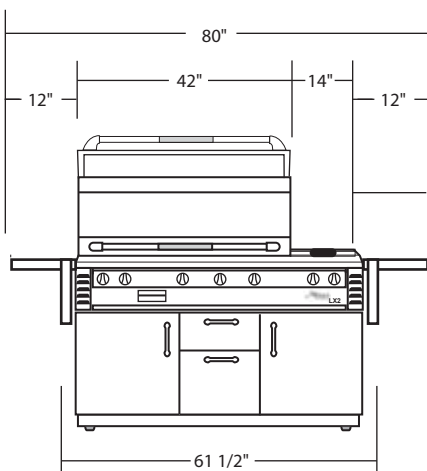
ALX2-56BFG  
ALX2-56BFGC



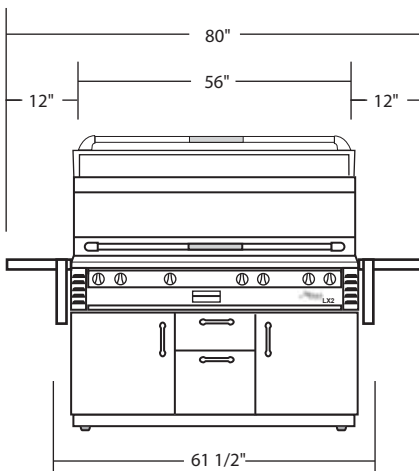
56 INCH ALX2 DELUXE GRILLS



A56 INCH LX2 BFG GRILLS

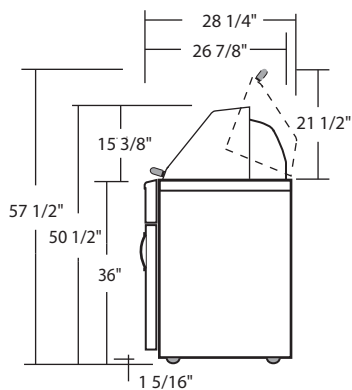


56 INCH LX2 DELUXE GRILLS

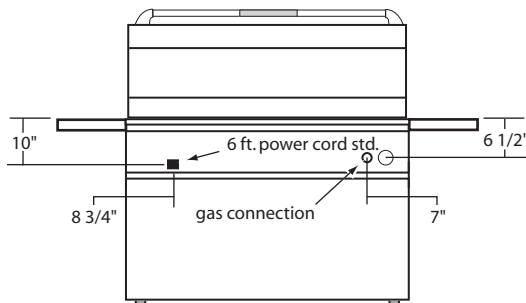


56 INCH LX2 BFG GRILLS

FRONT VIEW



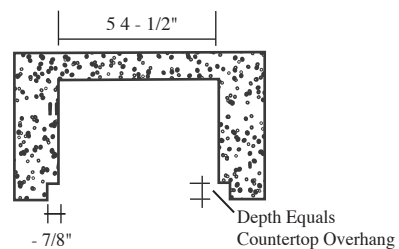
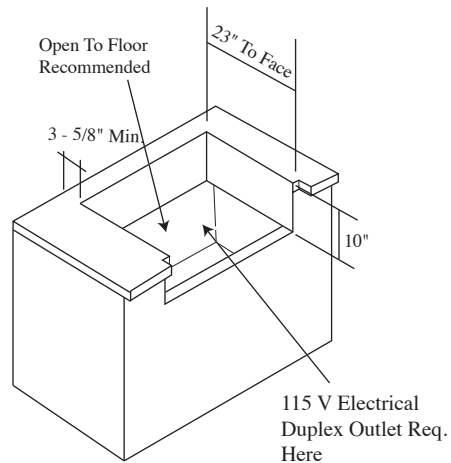
END VIEW



REAR VIEW

MODEL NUMBER	ALX2-5 6	ALX2-5 6 BFG
GRILLING AREA	7 7 0 SQ. INCHES	9 9 8 SQ. INCHES
MAIN GRILL BURNERS	3 @ 27, 500 BTU EA.	4 @ 27, 500 BTU EA.
SIDE BURNERS	2 @ 17, 00 BTU EA.	—
RÖTISSERIE BURNER	1 8,000 BTU	2 @ 15, 000 BTU
SMOKER BURNER	7,000 BTU	7,000 BTU
APPLIANCE TOTAL BTU	1 7 5, 500 BTU	1 4 7, 000 BTU
SHIPPING WEIGHT (built-in)	3 1 5 lbs	3 2 0 lbs
SHIPPING WEIGHT (on cart)	4 5 5 lbs	4 6 0 lbs
SHIPPING WEIGHT (w/ refrig.)	6 2 1 lbs	6 2 1 lbs

## ISLAND PREPARATION



COUNTERTOP DETAIL

## GAS REQUIREMENTS

Natural

- 1 / 2" NPT
- Gas Supply Pressure: 4.0" W.C

Propane (LP)

- 1 / 2" NPT
- Supply Pressure: 11" W.C
- LP Hose With Regulator Included

## ELECTRICAL REQUIREMENTS

- 115 V 50/60 Hz 1.5 Amps (for Rotisserie Motor and light accessory)

## Create The Ultimate Outdoor Kitchen

### ACCESSORIES & OTHER PRODUCTS

- Heavy Duty Vinyl Cover (recommended)
- Drop-in Steamer Fryer
- Drop-on Stainless Steel Griddle
- Cart Mount Double Side Burner
- Drop-on Griddle For Side Burner
- Stainless Steel Access Doors For Islands
- Stainless Steel Storage Drawers
- Built-in Sterno-fired Food Warmers
- Prep & Waste Centers For Island Installations
- Plating & Garnish centers
- Warming Drawers
- Built-in & Cart Model Cocktail Stations
- Built-in Prep & Hand Sink
- Refrigerator / Keggerator
- Under-Grill Refrigerator w/ Marinating Drawers
- Built-in Countertop Refrigerator
- Completely Sealed Dry Storage Pantry Centers

Alfresco Open Air Culinary Systems

7039 East Slauson Avenue Commerce, CA 90040

PH: (323)-722-7900 FAX: (323) 726-4700 Toll Free (888) 383-8800

www.alfrescogrills.com