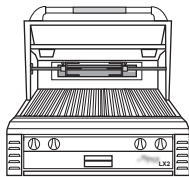


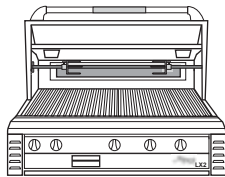
# ALX2 SERIES GRILL SPECIFICATIONS

ALX2-30  
ALX2-30C  
ALX2-30SZ  
ALX2-30SZC  
ALX2-30IR  
ALX2-30IRC

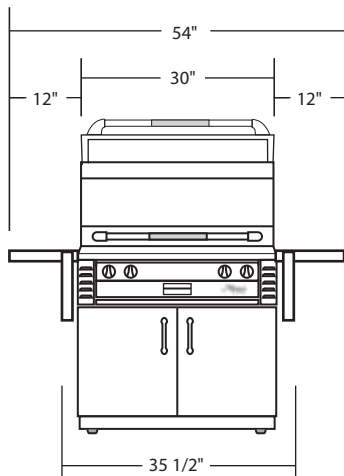
ALX2-42  
ALX2-42C  
ALX2-42SZ  
ALX2-42SZC



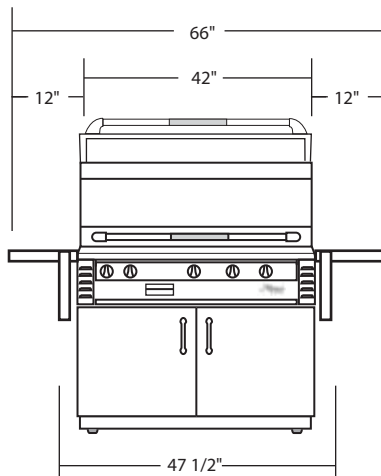
30 INCH ALX2 GRILLS



42 INCH ALX2 GRILLS

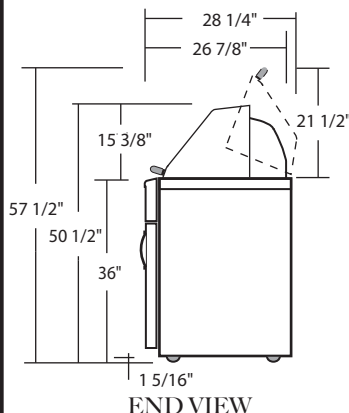


30 INCH GRILLS

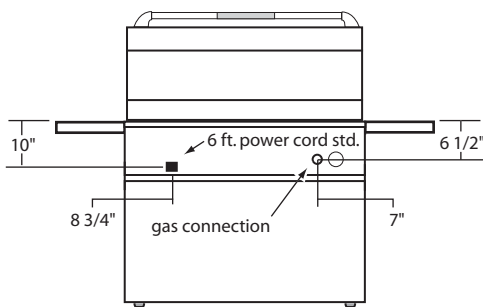


42 INCH GRILLS

FRONT VIEW



END VIEW

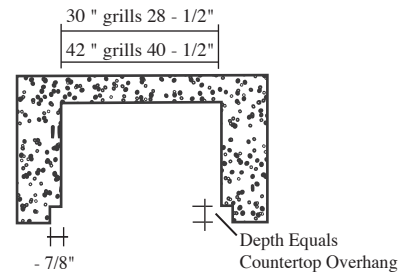
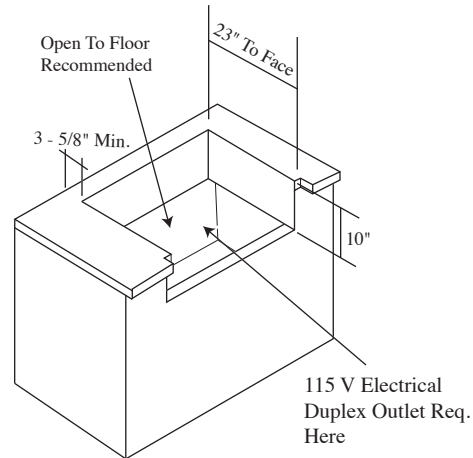


REAR VIEW

MODEL NUMBER	ALX2-30	ALX2-42
GRILLING AREA	5 4 2 SQ. INCHES	7 7 0 SQ. INCHES
MAIN GRILL BURNERS	2 @ 2 7, 5 0 0 BTU EA.	3 @ 2 7, 5 0 0 BTU EA.
ROTISSERIE BURNER	1 5, 0 0 0 BTU	1 8, 0 0 0 BTU
SMOKER BURNER	7, 0 0 0 BTU	7, 0 0 0 BTU
APPLIANCE TOTAL BTU	7 7, 0 0 0 BTU	1 0 7, 5 0 0 BTU
SHIPPING WEIGHT (built-in)	1 8 5 lbs	2 6 5 lbs
SHIPPING WEIGHT (on cart)	3 0 5 lbs	3 9 5 lbs



## ISLAND PREPARATION



COUNTERTOP DETAIL

## GAS REQUIREMENTS

Natural

- 1 / 2" NPT
- Gas Supply Pressure: 4.0" W.C

Propane (LP)

- 1 / 2" NPT
- Supply Pressure: 11" W.C
- LP Hose With Regulator Included

## ELECTRICAL REQUIREMENTS

- 115 V 50/60 Hz / 1.5 Amps (for Rotisserie Motor and light accessory)

## "Create The Ultimate Outdoor Kitchen"

### ACCESSORIES & OTHER PRODUCTS

- Heavy Duty Vinyl Cover (recommended)
- Drop-in Steamer Fryer
- Drop-on Stainless Steel Griddle
- Cart Mount Double Side Burner
- Drop-on Griddle For Side Burner
- Stainless Steel Access Doors For Islands
- Stainless Steel Storage Drawers
- Built-in Sterno-fired Food Warmers
- Prep & Waste Centers For Island Installations
- Plating & Garnish centers
- Warming Drawers
- Built-in & Cart Model Cocktail Stations
- Built-in Prep & Hand Sink
- Refrigerator / Keggerator
- Under-Grill Refrigerator w/ Marinating Drawers
- Built-in Countertop Refrigerator
- Completely Sealed Dry Storage Pantry Centers

Alfresco Open Air Culinary Systems  
7039 East Slauson Avenue Commerce, CA 90040

PH: (323)-722-7900 FAX: (323) 726-4700 Toll Free (888) 383-8800

www.alfrescogrills.com