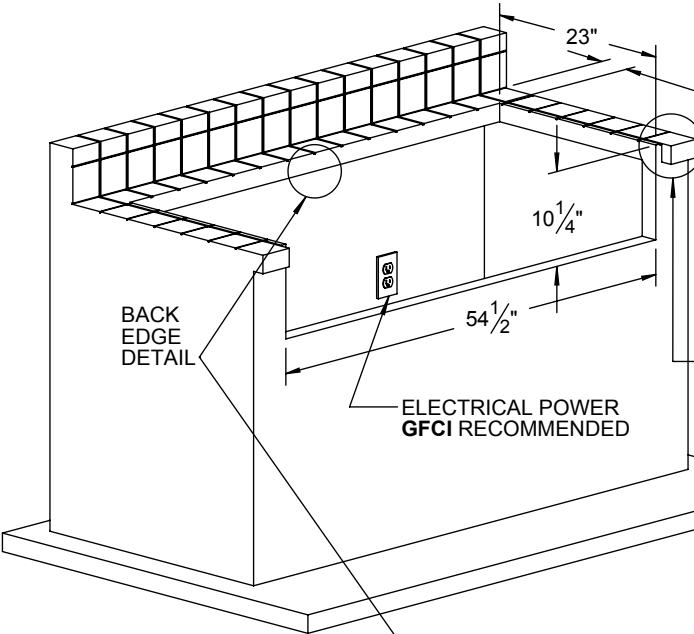


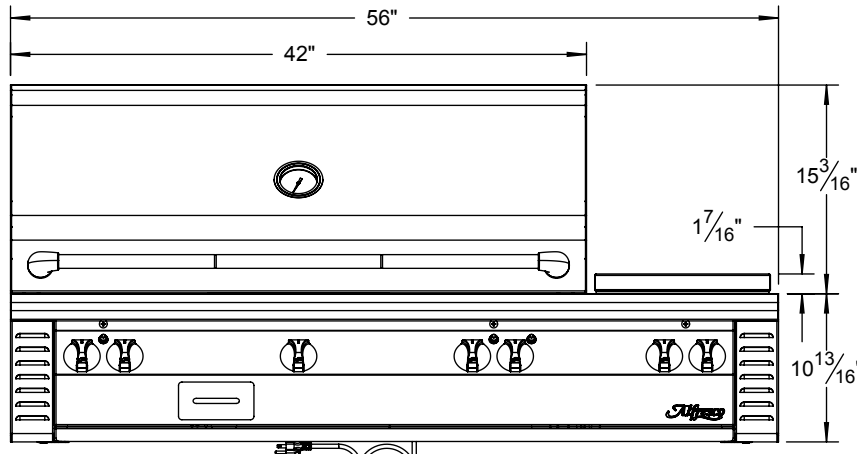
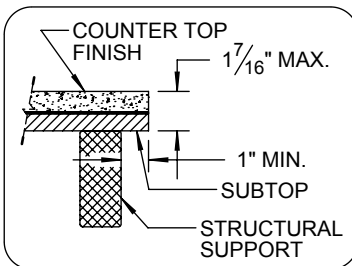
ALX2-56
OR
ALX2-56SZ
UNIT

TYPICAL ALX2-56 / 56SZ INSTALLATION

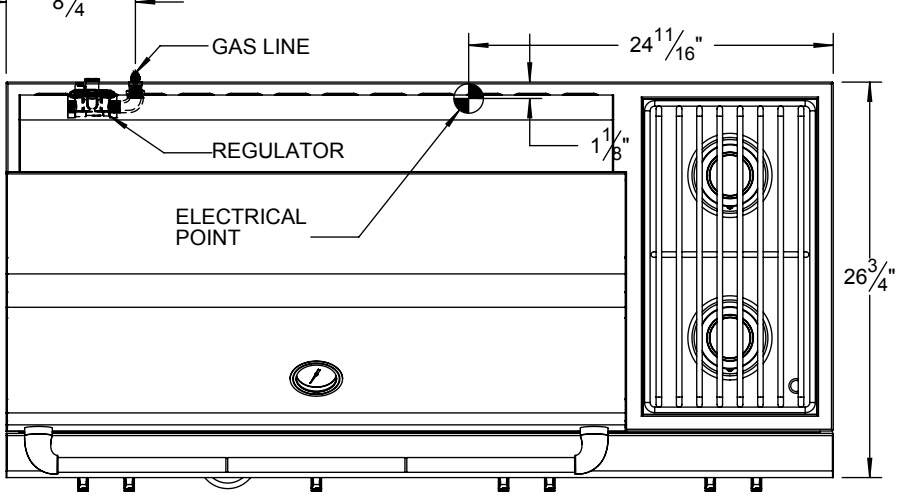
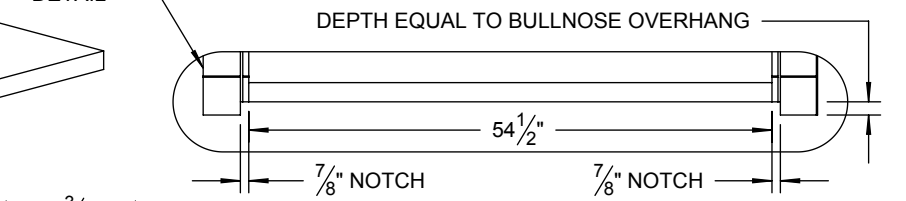
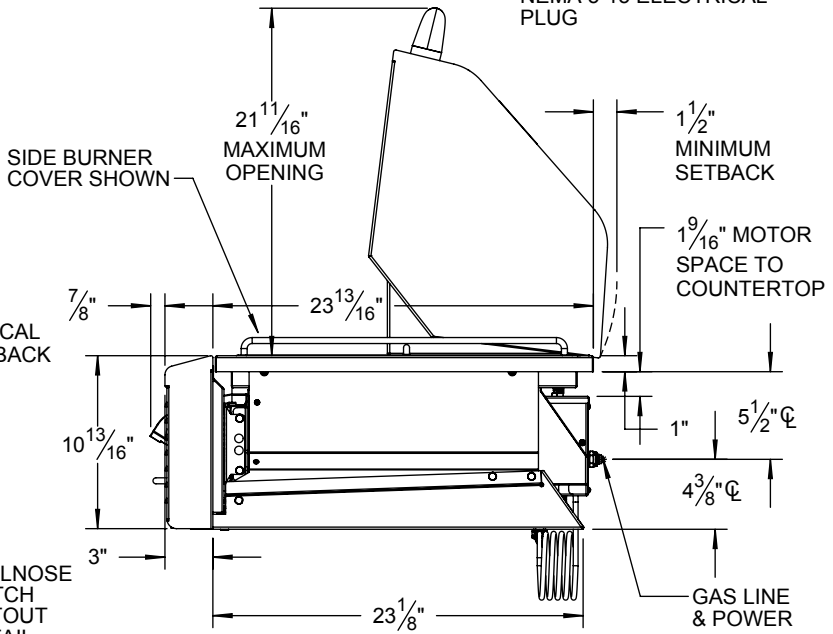
COUNTERTOP CUTOUT REQUIREMENTS



- NOTE:**
- CUTOUT SHOWN FOR NON-COMBUSTIBLE CONSTRUCTION ONLY. OTHERWISE USE OF AIJ-56 INSULATING JACKET IS REQUIRED.
 - COUNTER MUST HAVE PROPER GAS AND POWER SUPPLIES FOR YOUR ALFRESCO BBQ.



UNIT SUPPLIED WITH 8 FT. NEMA 5-15 ELECTRICAL PLUG



SHOWN WITHOUT SIDE BURNER COVER

SPECIFICATIONS:

BTUH = 148,000
 FUEL = NG @ 5" W.C. OR LP @ 10" W.C.
 ELECTRICAL POWER = 115 VAC / 1.44 A / 60 Hz.
 GAS CONNECTION = 1/2" NPT (NG) OR 3/8" ODF (LP)



THE INFORMATION CONTAINED IN THIS DRAWING IS THE SOLE PROPERTY OF SUPERIOR EQUIPMENT SOLUTIONS INC. ANY REPRODUCTION IN PART OR AS A WHOLE WITHOUT WRITTEN PERMISSION FROM SUPERIOR EQUIPMENT SOLUTIONS, INC. IS PROHIBITED.

DRAWN BY: ADRIAN CRISCI
CREATED: 9/2/2011 2:38:41 PM

PROJECT TITLE:
ALFRESCO GRILLS

DRAWING TITLE:
ALX2-56 / 56SZ SPECIFICATIONS

DRAWING NO.: ALX2-56 SPEC SHEET
 SHEET 1 OF 1