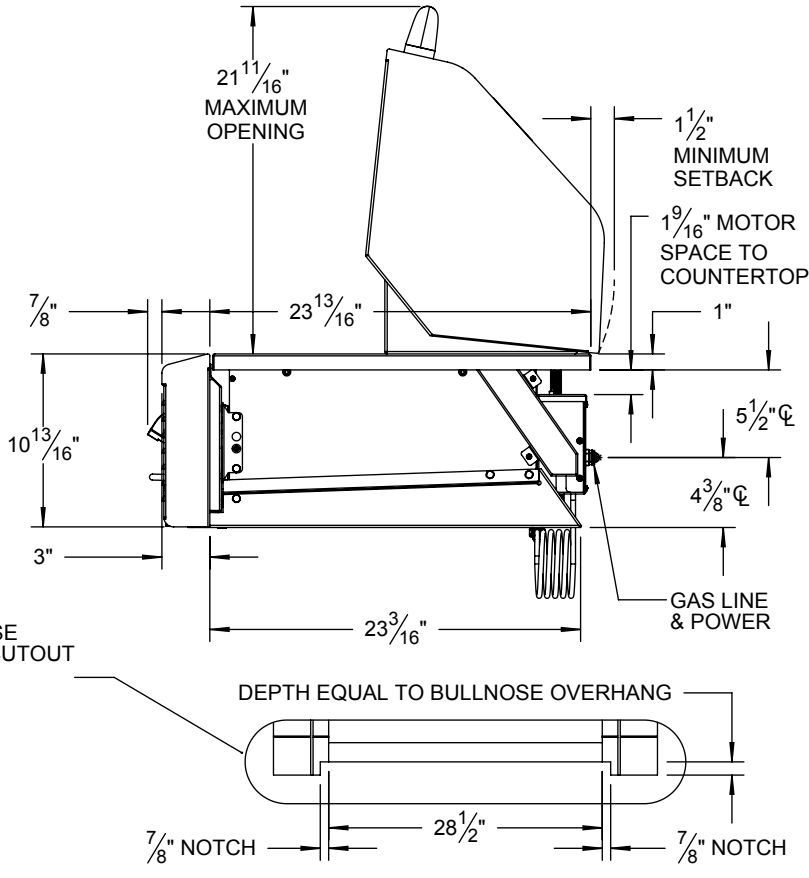
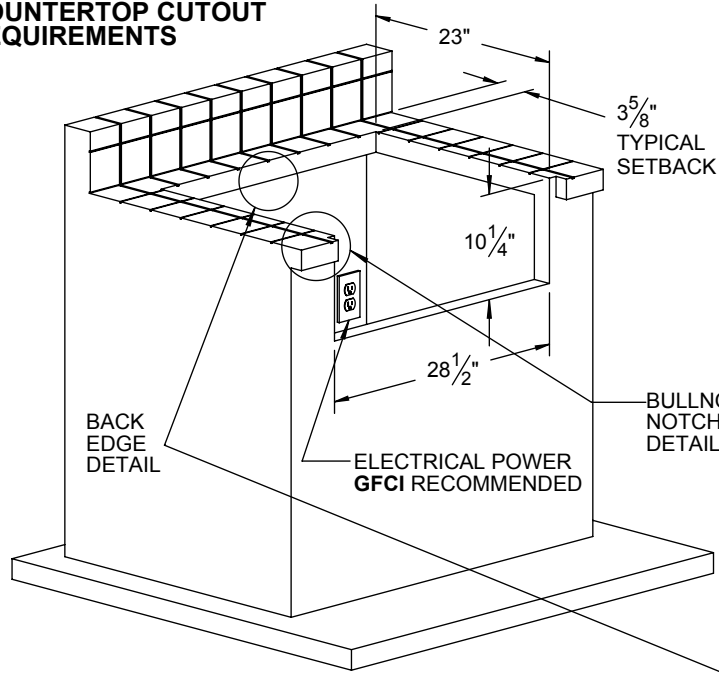
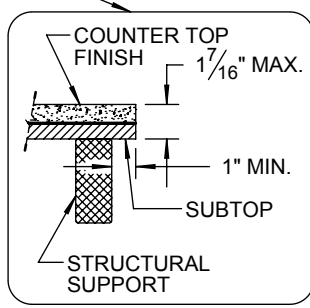


COUNTERTOP CUTOUT REQUIREMENTS



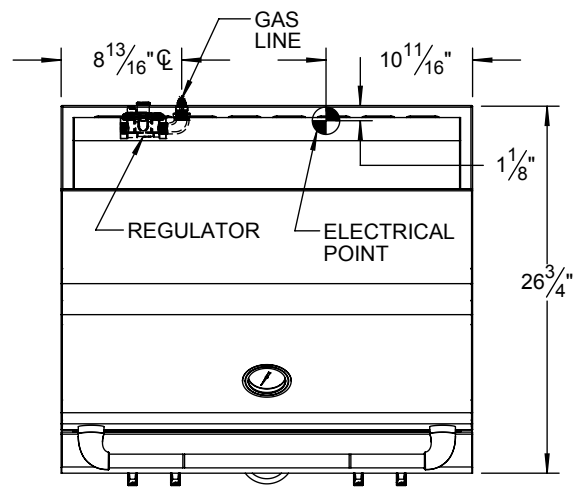
NOTE:

- CUTOUT SHOWN FOR NON - COMBUSTIBLE CONSTRUCTION ONLY. OTHERWISE USE OF AIJ-30 INSULATING JACKET IS REQUIRED.
- COUNTER MUST HAVE PROPER GAS AND POWER SUPPLIES FOR YOUR ALFRESCO BBQ.



SPECIFICATIONS:

BTUH = 77,000
 FUEL = NG @ 5 W.C. OR LP @ 10 W.C.
 ELECTRICAL POWER = 115 VAC / 1.44 AMPS / 60 Hz.
 GAS CONNECTION = 1/2" NPT (NG) OR 3/8" ODF (LP)



THE INFORMATION CONTAINED IN THIS DRAWING IS THE SOLE PROPERTY OF SUPERIOR EQUIPMENT SOLUTIONS INC. ANY REPRODUCTION IN PART OR AS A WHOLE WITHOUT WRITTEN PERMISSION FROM SUPERIOR EQUIPMENT SOLUTIONS, INC. IS PROHIBITED.

DRAWN BY: ADRIAN CRISCI
CREATED: 9/2/2011 8:57:38 AM

PROJECT TITLE:
ALFRESCO GRILLS

DRAWING NO.: ALX2-30 SPEC SHEET
 SHEET 1 OF 1

DRAWING TITLE:
ALX2-30 / 30SZ SPECIFICATIONS

SUPERIOR EQUIPMENT SOLUTIONS
 7039 EAST SLAUSON AVENUE
 COMMERCE, CA. 90040